

YMMS: 2017 Chevrolet Bolt EV Premier
 Engine: Electric
 VIN:

May 14, 2020

License:
 Odometer:

RADIO

Fig 1: Radio Circuit, W/ Amplifier (1 of 4)

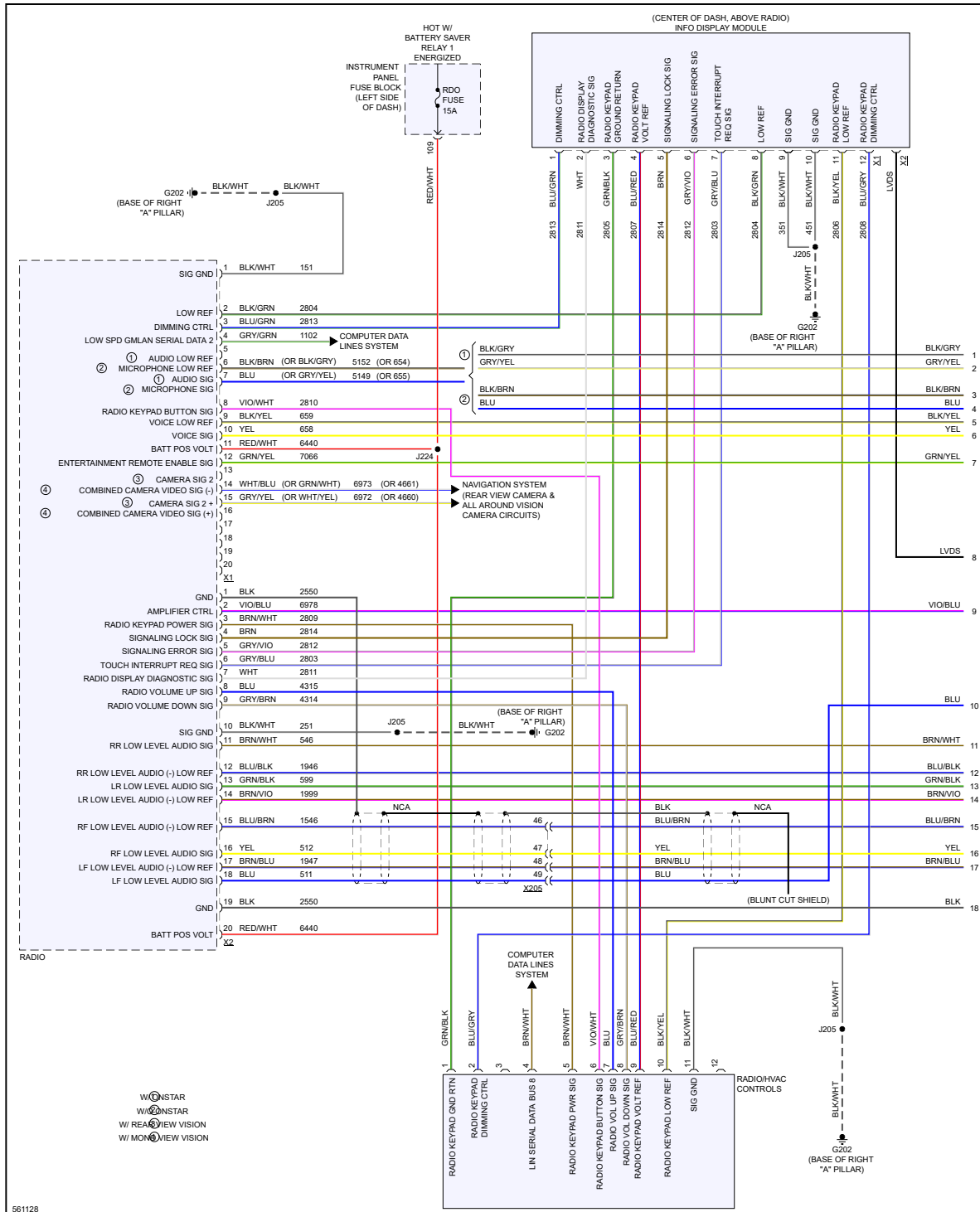
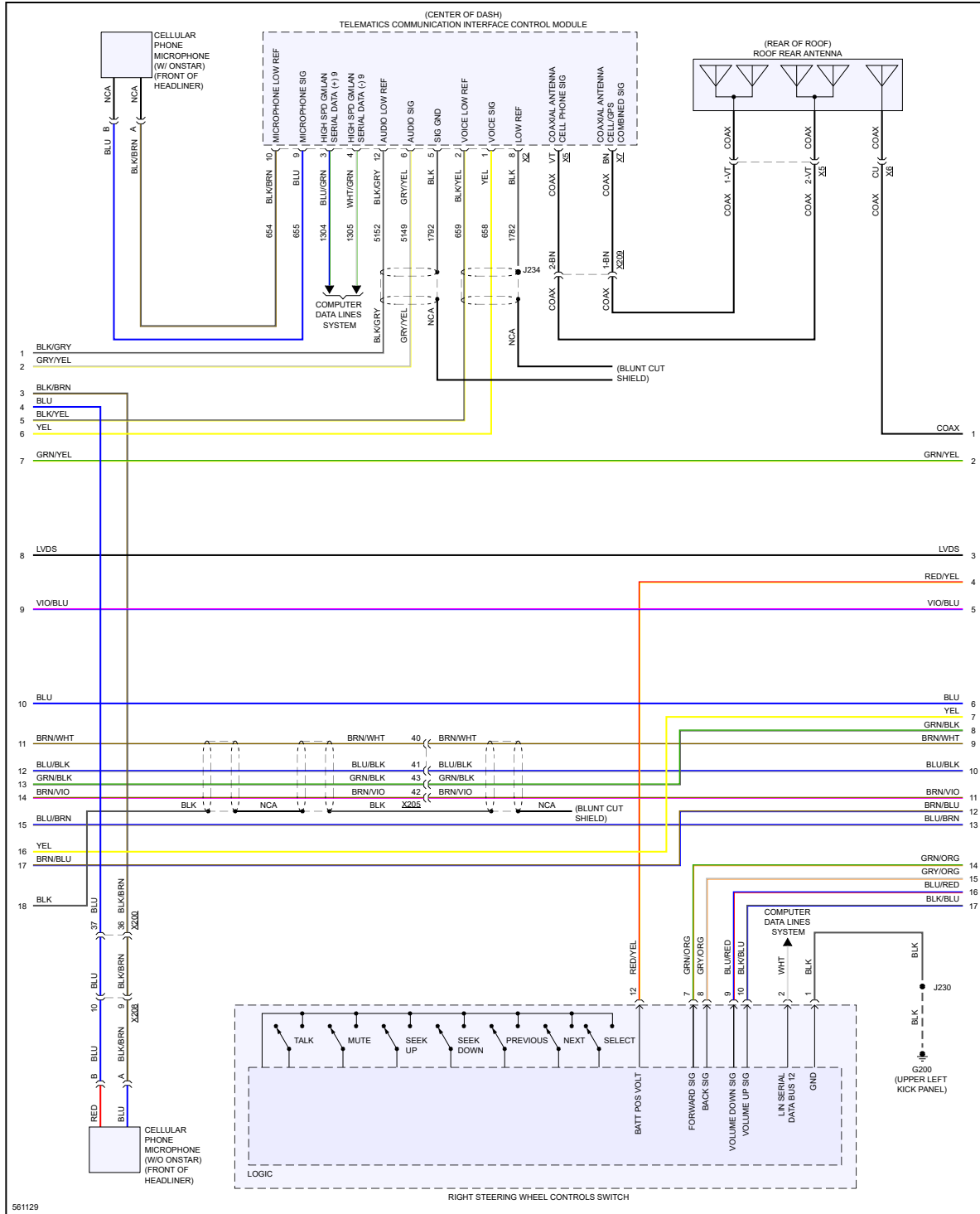


Fig 2: Radio Circuit, W/ Amplifier (2 of 4)



561129

Fig 3: Radio Circuit, W/ Amplifier (3 of 4)

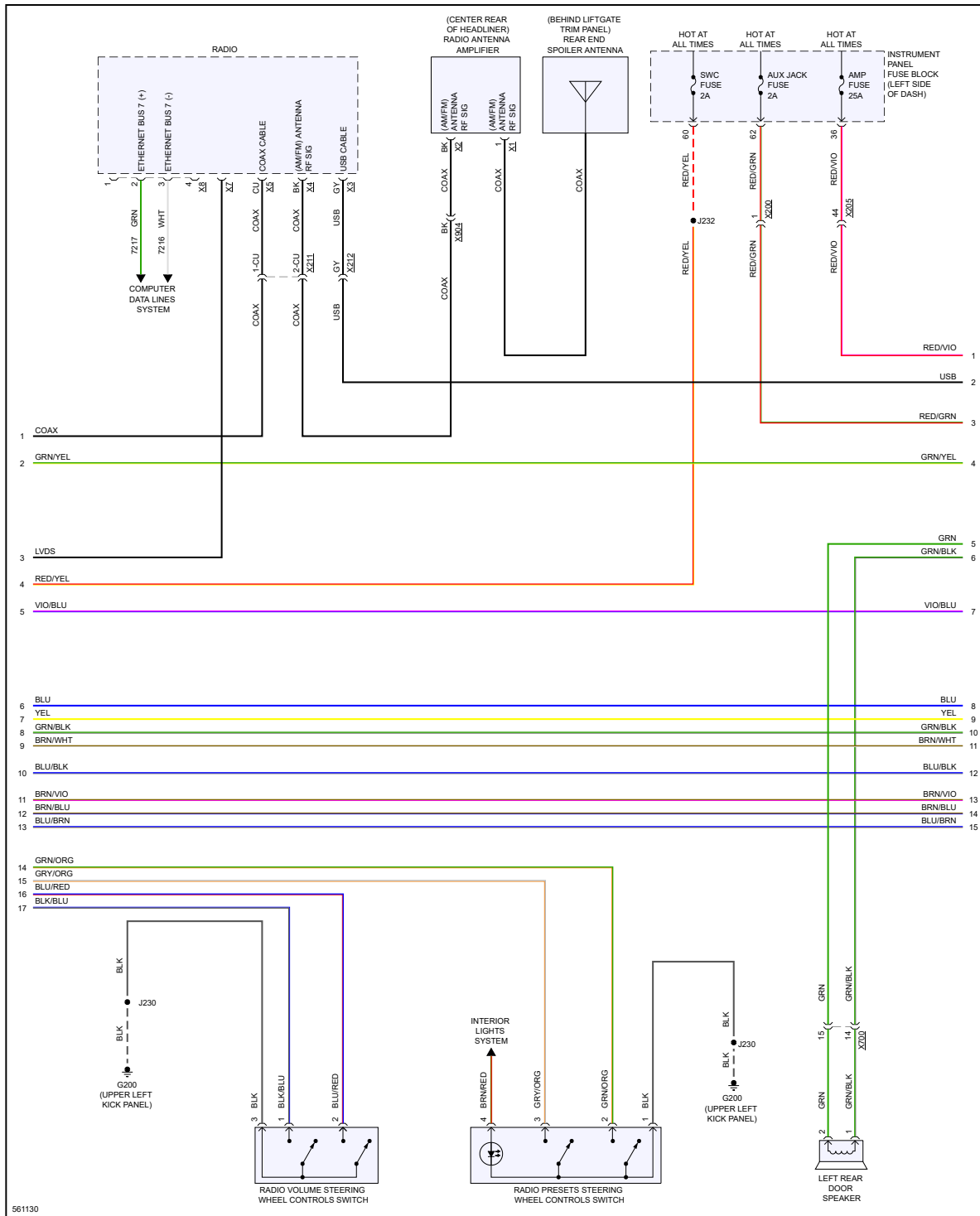
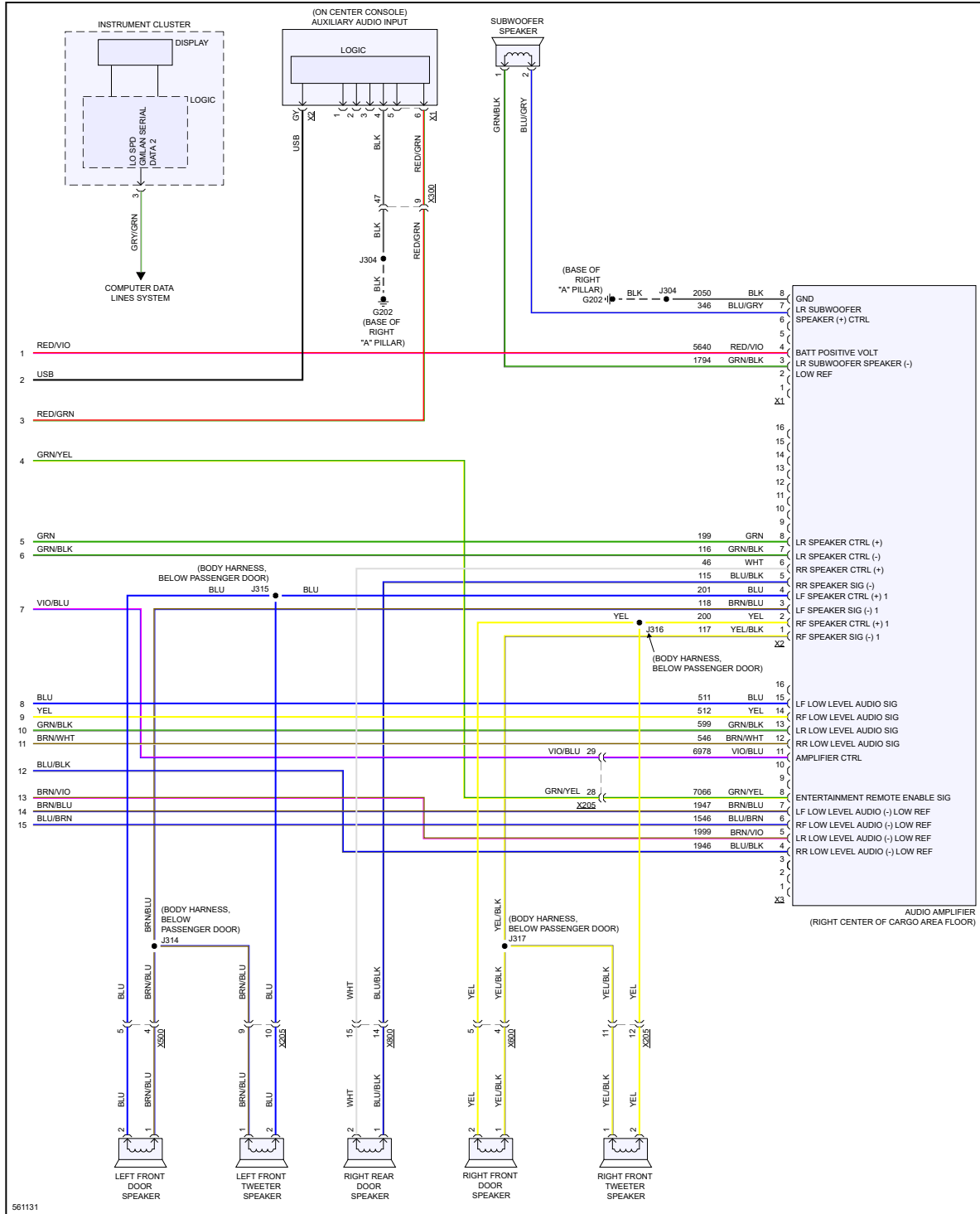
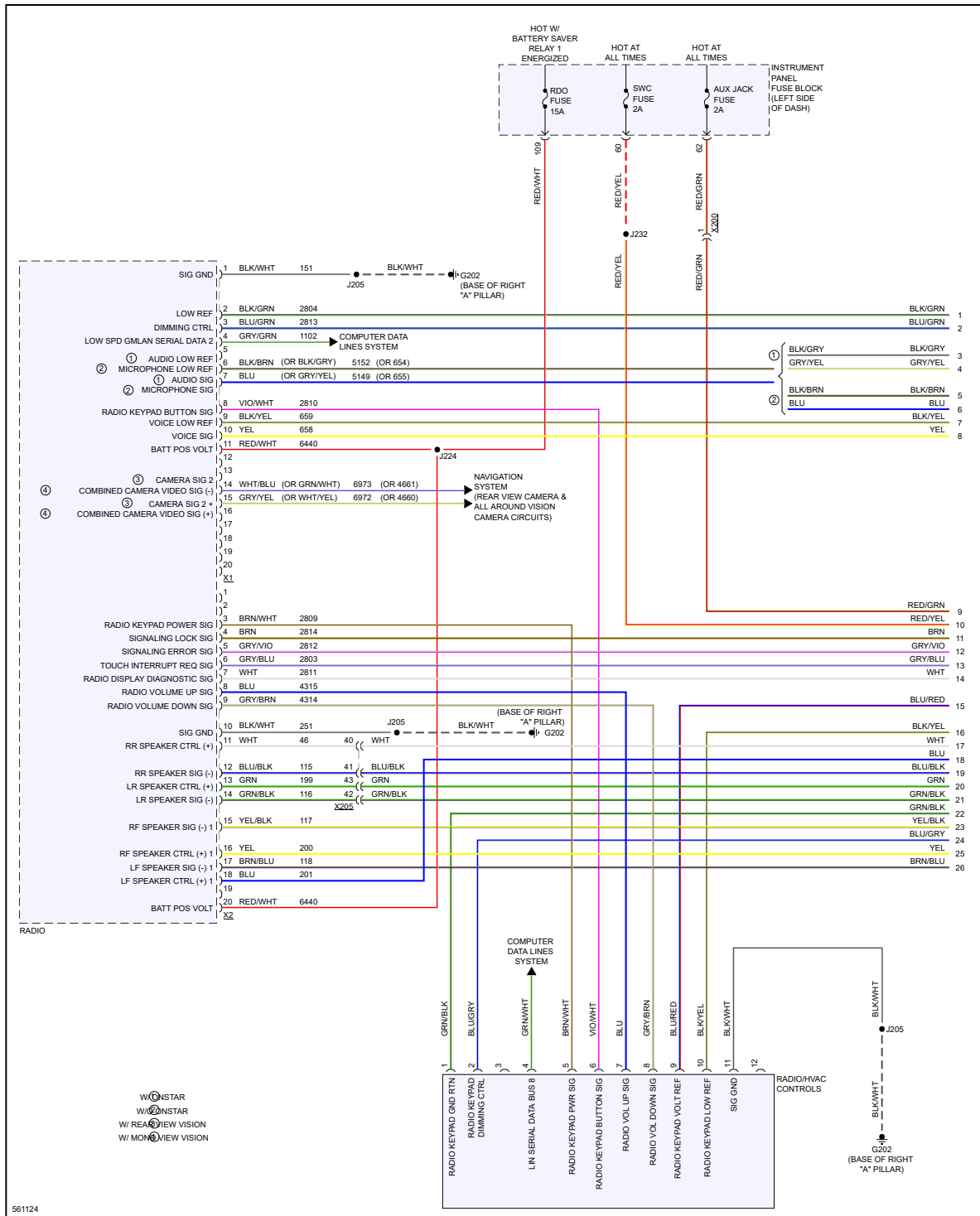


Fig 4: Radio Circuit, W/ Amplifier (4 of 4)



561131

Fig 5: Radio Circuit, W/O Amplifier (1 of 4)



561124

Fig 6: Radio Circuit, W/O Amplifier (2 of 4)

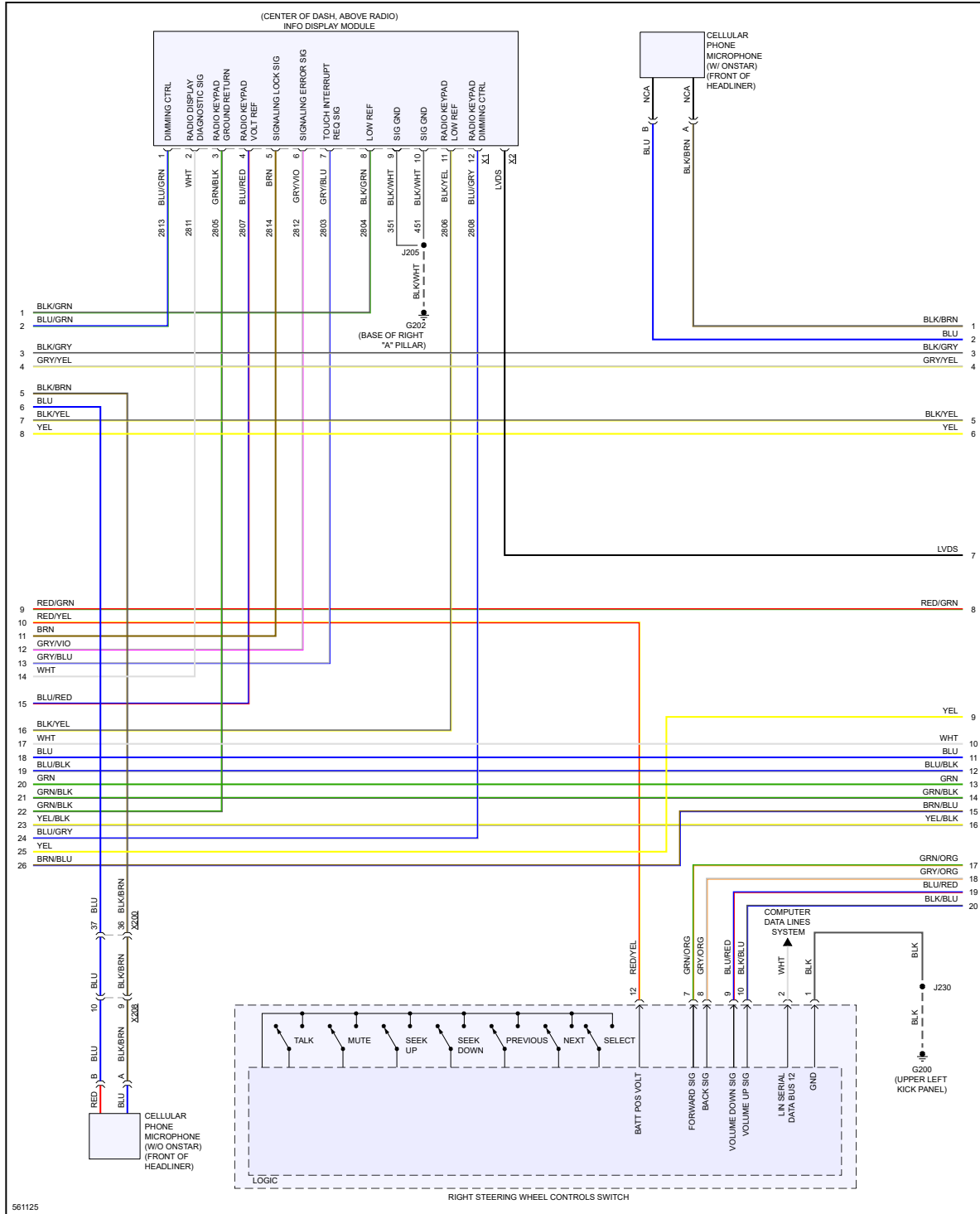
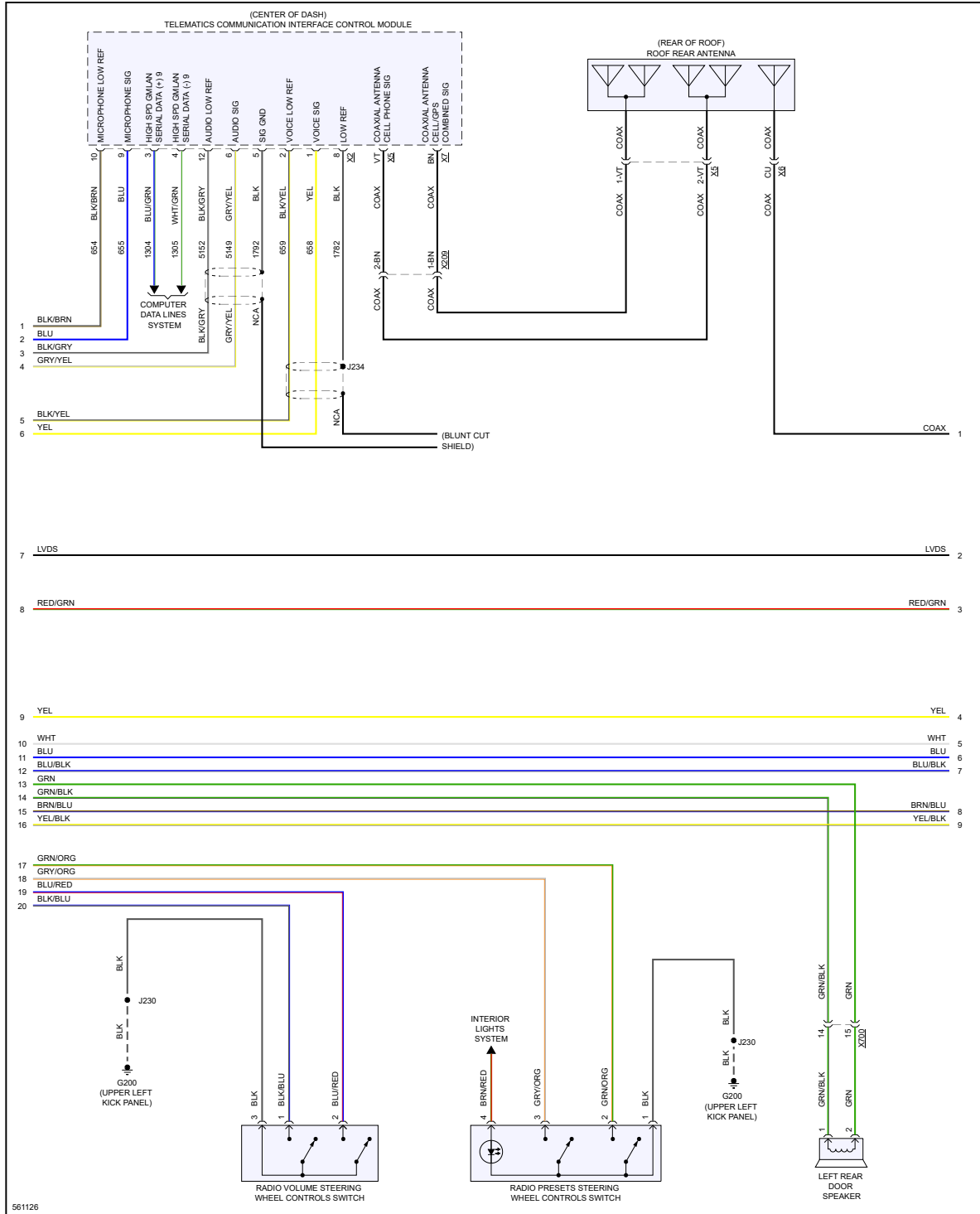
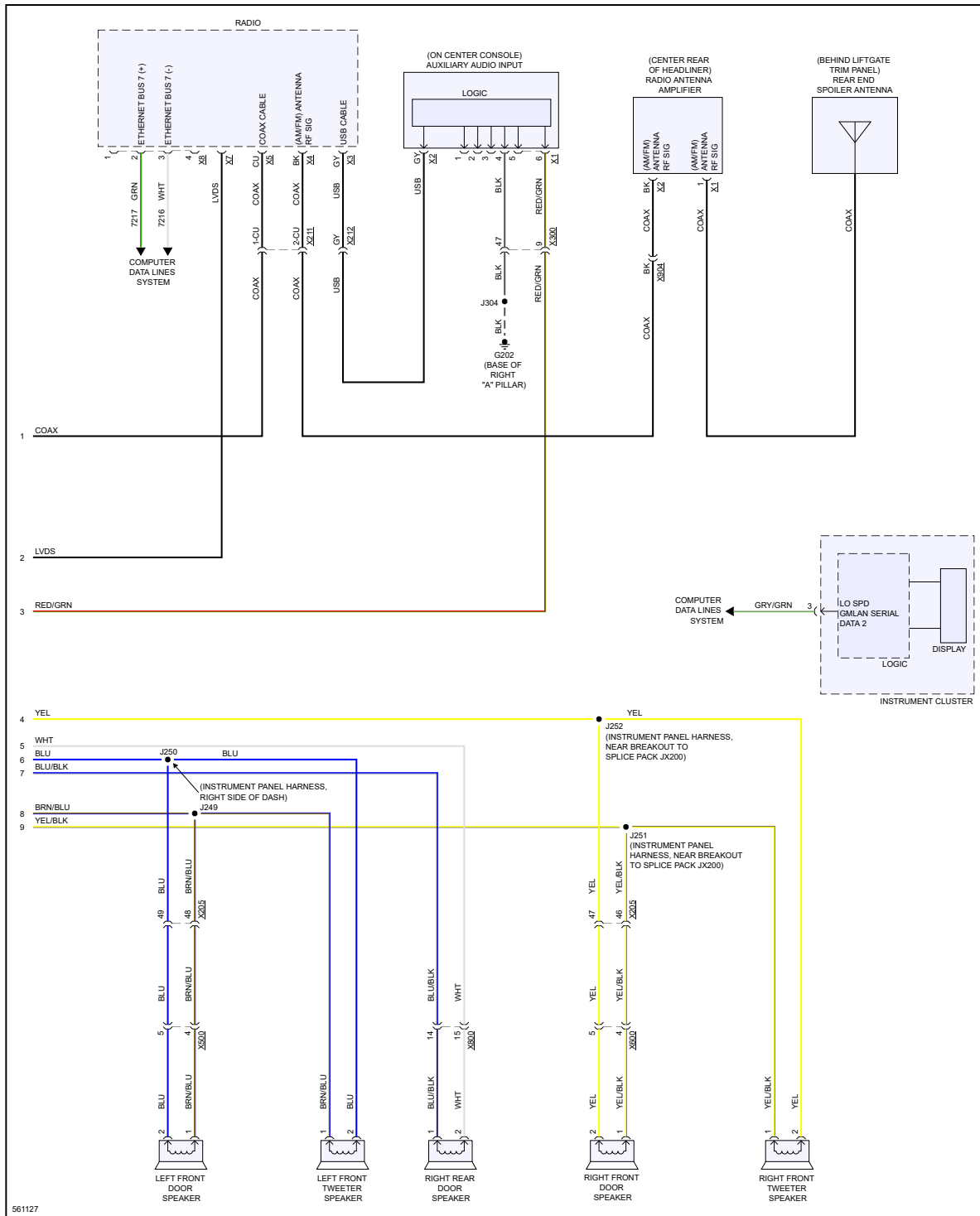


Fig 7: Radio Circuit, W/O Amplifier (3 of 4)



561126

Fig 8: Radio Circuit, W/O Amplifier (4 of 4)



561127

