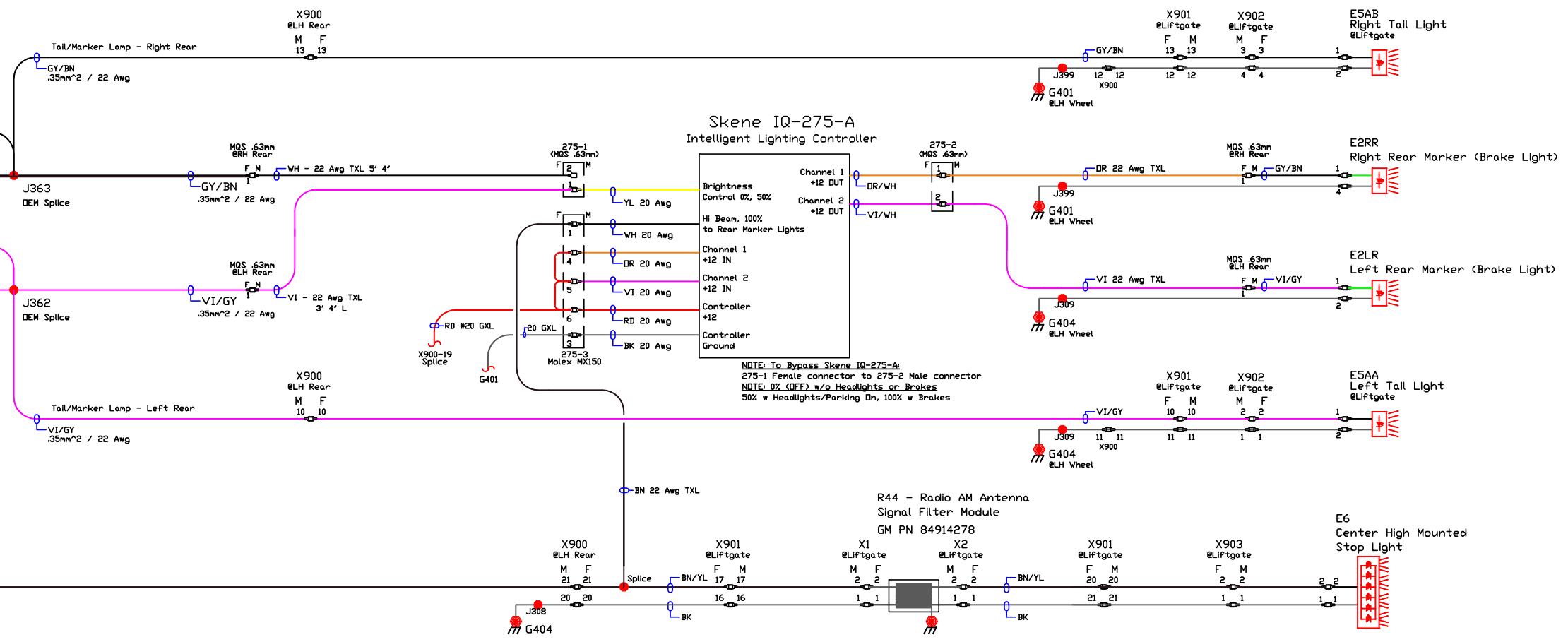
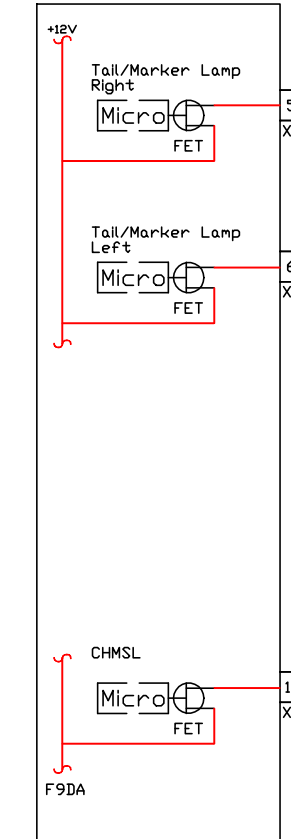


BRAKE LIGHT MOD DEVICE LIST

ID	MFGR.	PART	DESCRIPTION
IQ-275-A	Skene Lights	IQ-275-A	High-Power Programmable Dimmer w Alert Feature Option
TE MGS .63mm	TE Connectivity	1-1534155-1	MGS 2 Position TAB (Male) Housing, Unsealed, Key Option A
TE MGS .63mm	TE Connectivity	1534027-1	MGS 2 PDS Retainer, Type TPA for 1-1534155-1 Housing
TE MGS .63mm	TE Connectivity	5-965908-1	MGS TAB (Male) Terminal, Locking Lance .63mm, 20-18 Awg (.5-.75mm ²)
TE MGS .63mm	TE Connectivity	1-1534113-1	MGS 2 Position REC (Female) Housing, Unsealed, Key Option A
TE MGS .63mm	TE Connectivity	1534112-1	MGS 2 PDS Retainer, Type TPA for 1-1534113-1 Housing
TE MGS .63mm	TE Connectivity	5-963715-1	MGS REC (Female) Terminal, Locking Lance .63mm, 20-18 Awg (.5-.75mm ²)
MX150	Molex	33482-3601	MX150 Male Connector Assy, Dual Row, 6 Circuits, Key Option A, Mat-Sealed
MX150	Molex	33472-0606	MX150 Female Conn. Assy, Dual Row, 6 Ckts, Key Opt A, w CPA, Mat-Sealed
MX150	Molex	033000-1002	MX150 Male Terminal, Mat Sealed Connectors, Tin Plating, 16-20 AWG
MX150	Molex	033012-2002	MX150 Female Terminal, Mat Sealed Connectors, Tin Plating, 18-20 AWG

K9 Body Control Module



NOTE: To Bypass Skene IQ-275-A:
 275-1 Female connector to 275-2 Male connector
 NOTE: 0% (OFF) w/o Headlights or Brakes
 50% w Headlights/Parking On, 100% w Brakes

