

Part Number: 08586-42820

NOTE: Part number of this accessory may not be the same as the part number shown.

Kit Contents

Item #	Quantity Reqd.	Description
1	1	Wire Harness (Main)
2	1	Wire Harness (Sub)
3	1	Hood Switch

Hardware Bag Contents

Item #	Quantity Reqd.	Description
1	1	RES ECU
2	1	RES ECU Mounting Bracket
3	1	BUS ECU
4	1	BUS ECU Mounting Bracket
5	4	Harness Clamps
6	2	Bolts
7	1	Splicing Connector
8	2	Large Foam Tapes (2 pcs)
9	30	Wire Ties
10	2	Butyl Tape
11	1	Small Foam Tape (1 pcs)
12	2	Warning Labels
13	2	Key Tag
14	1	Shift Tag
15	2	Key Label (For Remote Control Key)
16	1	Caution Label (For Engine Compartment)
17	1	Owner's Manual

Additional Items Required For Installation

Item #	Quantity Reqd.	Description

Conflicts

Note:

Recommended Tools

Personal & Vehicle Protection	Notes
Safety Glasses	
Safety Gloves	(Optional)
Vehicle Protection	Blankets, Part Boxes
Special Tools	Notes
Installation Tools	Notes
Phillips Head Screwdriver	#2, screwdriver or tip
Socket	10 mm
Nylon Panel Removal Tool	e.g. Panel Pry Tool #1 Toyota SST # 00002-06001-01
Pneumatic/Electric Wrench	
Side Cutters	

Torque Wrench	
Pliers	
Wrench	10 mm
Utility Knife	
Cable Routing Tool	
Special Chemicals	Notes
Cleaner	3M™ Prep Solvent-70
Glass Cleaner	Household Windex

General Applicability

Note:

Recommended Sequence of Application





Item #	Accessory	

*Mandatory

Vehicle Service Parts (may be required for reassembly)

Item #	Quantity Reqd.	Description

Legend

	STOP: Damage to the vehicle may occur. Do not proceed until process has been complied with.
	OPERATOR SAFETY: Use caution to avoid risk of injury.
	CAUTION: A process that must be carefully observed in order to reduce the risk of damage to the accessory/vehicle and to ensure a quality installation.
	TOOLS & EQUIPMENT: Used in Figures calls out the specific tools and equipment recommended for this process.

Care must be taken when installing this accessory to ensure damage does not occur to the vehicle. The installation of this accessory should follow approved guidelines to ensure a quality installation.

These guidelines can be found in the "Accessory Installation Practices" document.

This document covers such items as:-

- Vehicle Protection (use of covers and blankets, cleaning chemicals, etc.).
- Safety (eye protection, rechecking torque procedure, etc.).
- Vehicle Disassembly/Reassembly (panel removal, part storage, etc.).
- Electrical Component Disassembly/Reassembly (battery disconnection, connector removal, etc.).

Please see your Toyota dealer for a copy of this document.

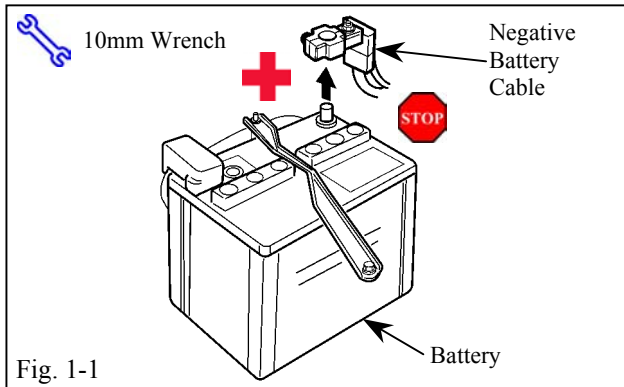


Fig. 1-1

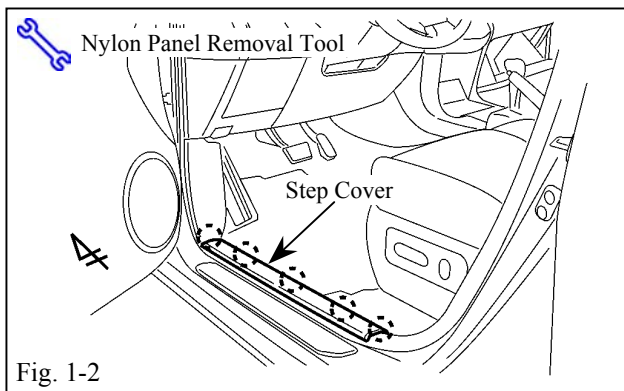


Fig. 1-2

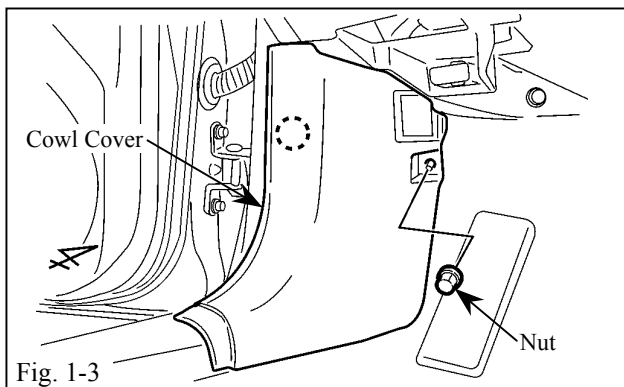


Fig. 1-3

NOTE: This installation instruction covers both V5 harness and RES harness installation.

The differences are highlighted in the procedure as follows:-

- Plain text used for RES system installation (no text box).
- Shaded text box used for both RES harness and V5 harness installation.

1. Vehicle Disassembly.

(a) Remove the negative battery cable. (Fig. 1-1)

(b) Take note of the battery cable installation position, as this will need to be re-installed in the same position after installation completion.

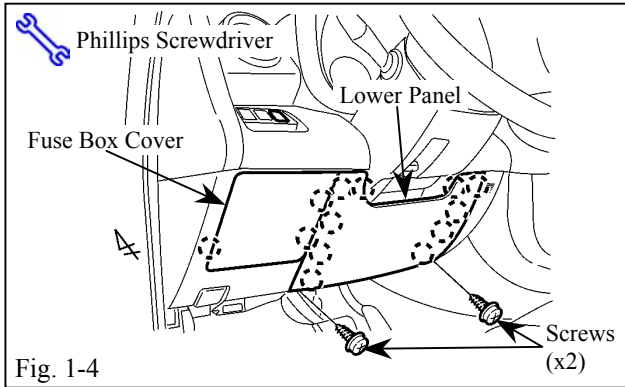
+ (1) Do not touch the positive terminal with any tool removing the cable.

(c) Remove the driver's step cover. (Fig. 1-2)

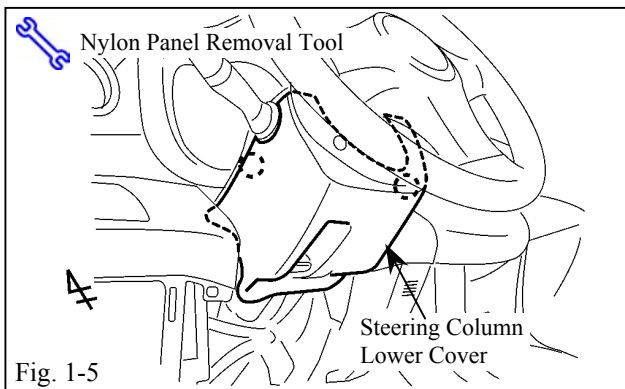
STOP (1) Protect the fender before starting.

(d) Remove the driver's cowl cover. (Fig. 1-3)

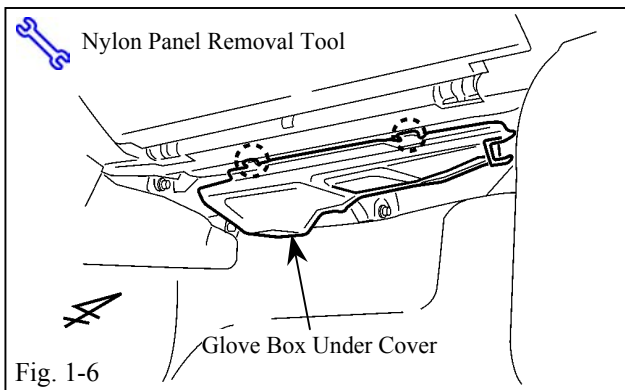
(1) Remove one nut securing the cowl cover.



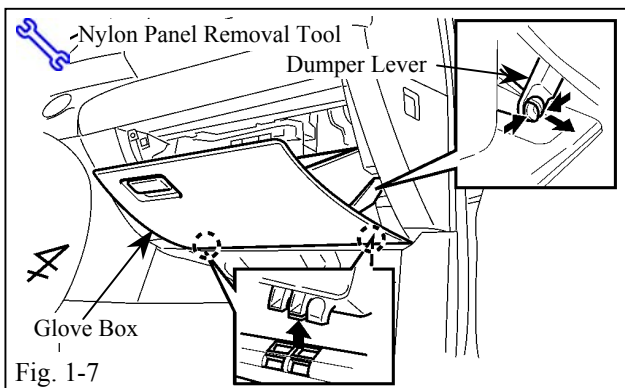
- (e) Remove the fuse box cover. (Fig. 1-4)
- (f) Remove the instrument lower panel. (Fig. 1-4)
 - (1) Remove two screws securing the panel.



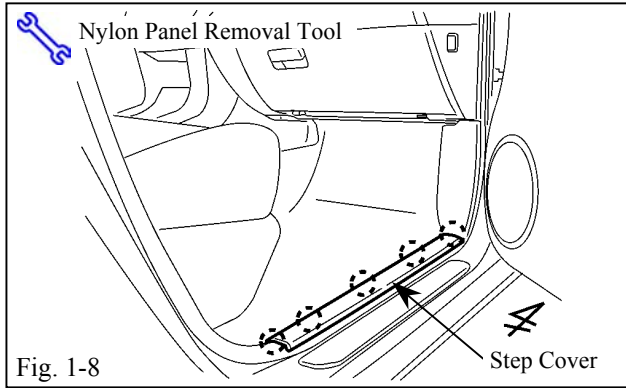
- (g) Remove the steering column lower cover. (Fig. 1-5)



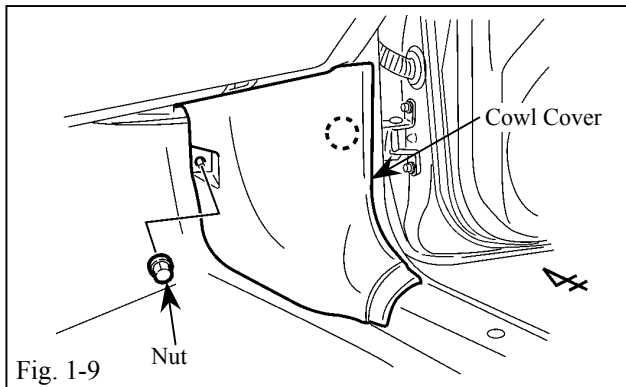
- (h) Remove the glove box under cover. (Fig. 1-6)



- (i) Remove the glove box assembly. (Fig. 1-7)
 - (1) Open the glove box door and release the dumper lever from the glove box assembly.

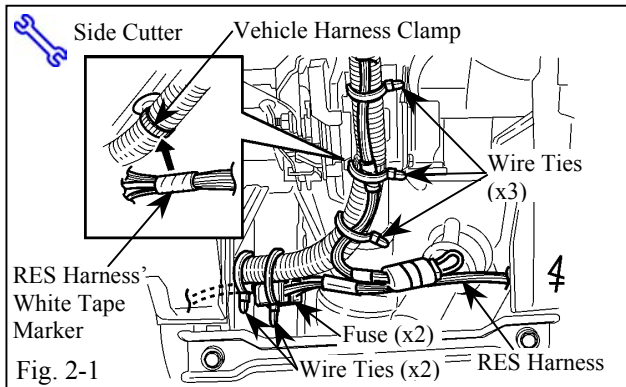


(j) Remove the passenger's step cover. (Fig. 1-8)



(k) Remove the passenger's cowl cover.
(Fig. 1-9)

(1) Remove one nut securing the cowl cover.



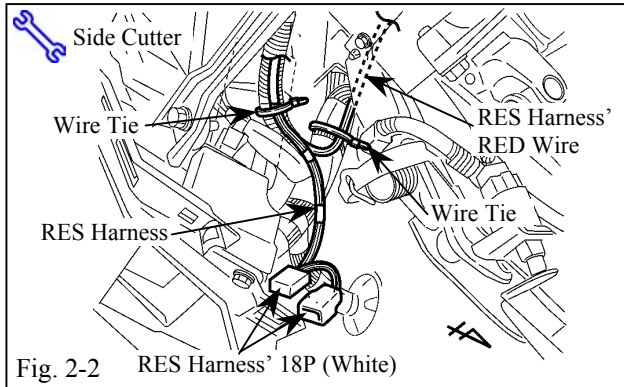
2. RES Harness Installation.

(a) Locate the vehicle harness clamp on the steering shaft area. Secure the white taped markers of the RES harness next to the vehicle harness clamp with one wire tie. (Fig. 2-1)

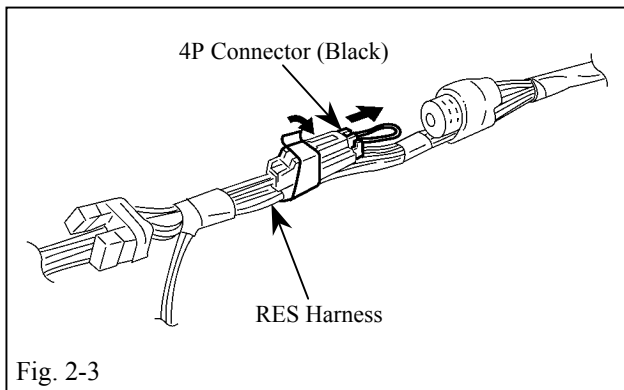
(1) Line up the RES harness' white tape markers to the vehicle harness clamp.

(b) Route the RES harness' white 8P connectors upward towards the steering wheel area, then secure it to the vehicle harness with one wire tie. (Fig. 2-1)

(c) Route the RES harness' two fuses toward the driver side instrument panel area, then secure it to the vehicle harness with three wire ties. (Fig. 2-1)



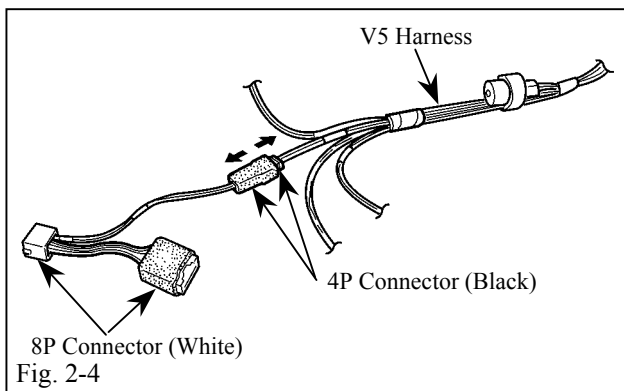
- (d) Route the RES harness' white 18P connectors and RED wire toward the driver side J/B area, then secure it to the vehicle harness with one wire tie. (Fig. 2-2)
- (e) Route the RES harness' RED wire upward the backside of the driver side J/B area, then secure it to the vehicle harness with one wire tie. (Fig. 2-2)



FOR RES HARNESS and V5 HARNESS
SIMULTANEOUS INSTALLATION ONLY.
(Steps f-h)



NOTE: Only perform this installation step if the RES harness and V5 harness are installed simultaneously.

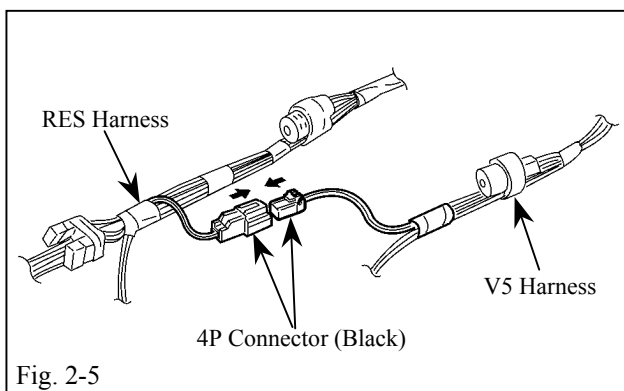


- (f) Locate and disconnect the black 4P female connector plugged into the RES harness' black 4P male connector. (Fig. 2-3)

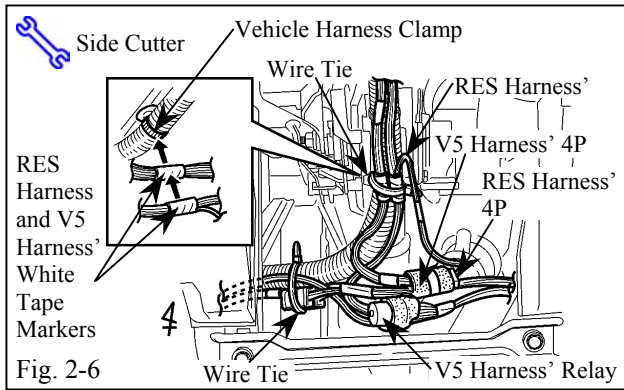
(1) Discard the black 4P female connector.

- (g) Locate and disconnect the black 4P connector on the V5 harness to separate the harness portions. (Fig. 2-4)

(1) Discard the separated harness (4P male connector and 8P connectors).



- (h) Connect the RES harness' black 4P male connector and V5 harness' black 4P female connector. (Fig. 2-5)

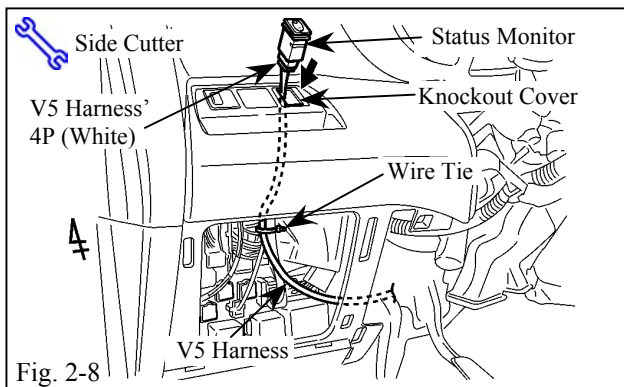
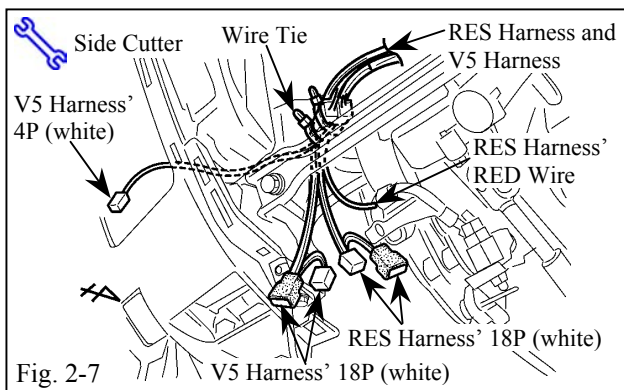


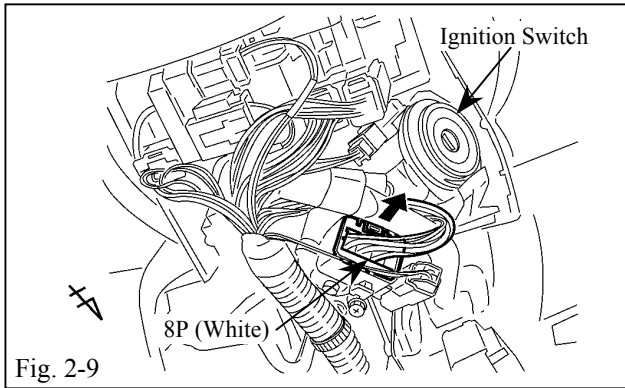
FOR RES HARNESS and V5 HARNESS
SIMULTANEOUS INSTALLATION ONLY.
(Steps i-p)



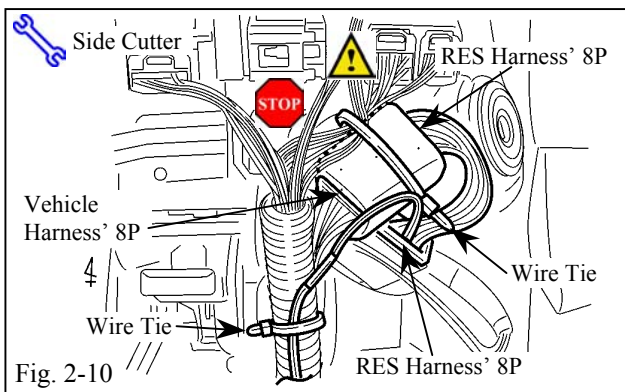
NOTE: Only perform these installation steps if the RES harness and V5 harness are being installed simultaneously.

- (i) Locate the vehicle's harness clamp on the steering column area. Secure the RES harness and V5 harness' white tape to the vehicle harness clamp with one wire tie. (Fig. 2-6)
- (j) Secure the RES harness' two relays and V5 harness to the vehicle harness with one wire tie. (Fig. 2-6)
- (k) Route the RES harness and V5 harness toward the driver side J/B area, then secure it to the vehicle harness with one wire tie. (Fig. 2-7)
- (l) Route the V5 harness' white 4P connector toward the driver side J/B area as shown. (Fig. 2-7)
- (m) Remove the knockout cover in the cluster panel, first space from the right. (Fig. 2-8)
- (n) Connect the V5 harness' white 4P connector to the status monitor. (Fig. 2-8)
 - (1) Status monitor is included in the V5 components kit.
- (o) Insert the status monitor into the knockout opening of the cluster panel. (Fig. 2-8)
- (p) Secure the V5 harness to the vehicle harness with one wire tie. (Fig. 2-8)





- (q) Locate and disconnect the white 8P connector from the ignition switch area. (Fig. 2-9)



- (r) Plug in the RES harness' white 8P connectors between the vehicle harness' 8P connector and the ignition switch. (Fig. 2-10)
 - (1) Verify the connectors are plugged in securely.

- (s) Secure the 8P connector to the vehicle harness with one wire tie. (Fig. 2-10)
 - CAUTION:** Position the 8P connector exactly as shown. Otherwise, when other vehicle parts are placed, serious damage may occur to the vehicle parts or accessories.



- (1) Do not secure the air bag harness (yellow connector wires).



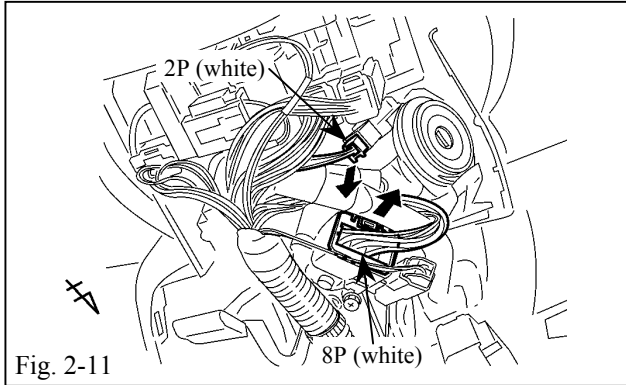
- (2) After securing the connector, temporarily install the steering column cover and check if tilt and telescopic movement of the steering is smooth and not interfered by any object.

- (t) Secure the RES harness to the vehicle harness with one wire tie. (Fig. 2-10)



- (1) After securing the RES harness, temporarily install adjacent vehicle parts carefully and make sure no wires are being pinched or pressed.

Go to step y.

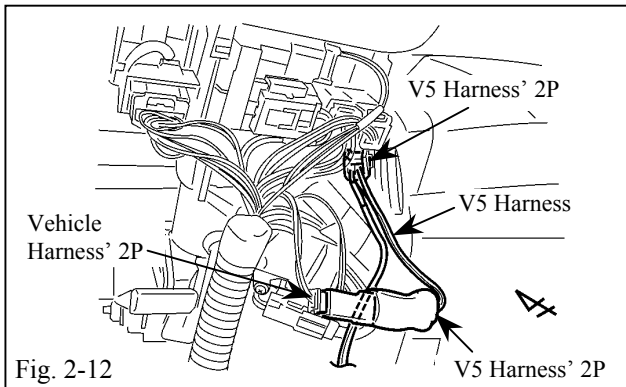


FOR RES HARNESS and V5 HARNESS
SIMULTANEOUS INSTALLATION ONLY.
(Steps u-w)

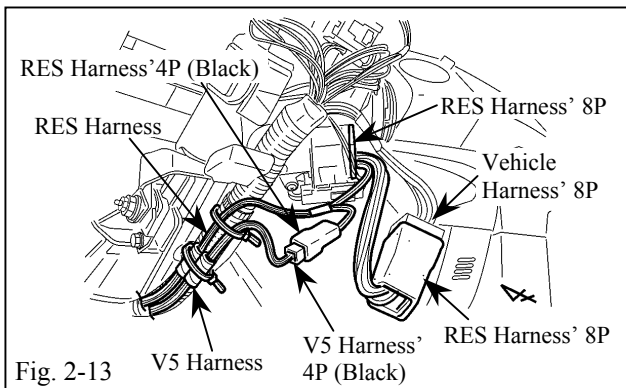


NOTE: Only perform these installation steps if the RES harness and V5 harness are being installed simultaneously.

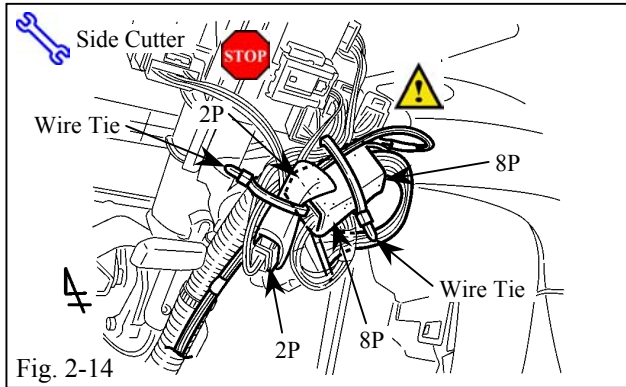
(u) Locate and disconnect the white 2P and white 8P connector from the ignition switch area. (Fig. 2-11)



(v) Plug in the V5 harness' white 2P connectors between the vehicle harness' 2P connector and the ignition switch. (Fig. 2-12)



(w) Plug in the V5 harness' white 8P connectors between the vehicle harness' 8P connector and the ignition switch. (Fig. 2-13)



FOR RES HARNESS and V5 HARNESS
SIMULTANEOUS INSTALLATION ONLY.
(Step x)



NOTE: Only perform this installation step on the RES harness and V5 harness installed simultaneously.

(x) Secure the 2P connectors and 8P connectors to the vehicle harness with two wire ties. (Fig. 2-14)



CAUTION: Position the 8P and 2P connector exactly as shown. Otherwise when other vehicle parts are placed serious damages may occur to the vehicle parts or accessories.



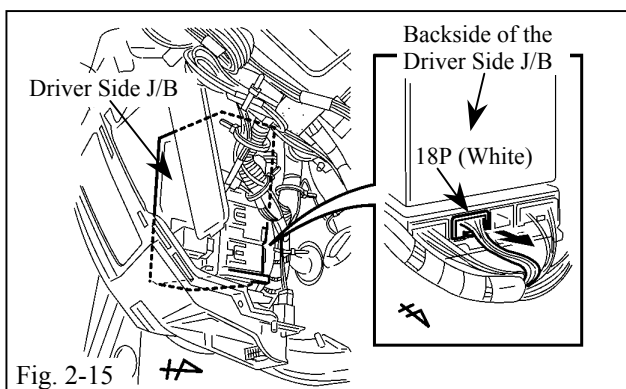
(1) Do not secure the air bag harness (yellow connector wires).



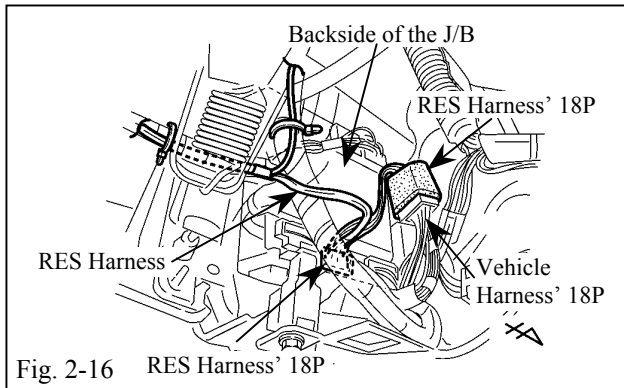
(2) After securing the connector, temporarily install on the steering column cover and check if tilt and telescopic movement of the steering is smooth and not interfered by any object.



(3) Check that no wires are being pinched or pressed.

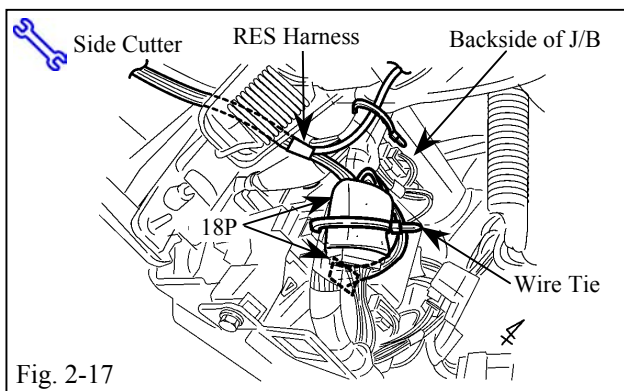


(y) Locate and disconnect the white 18P connector from the backside of the driver side J/B in the bottom of second space from the left. (Fig. 2-15)



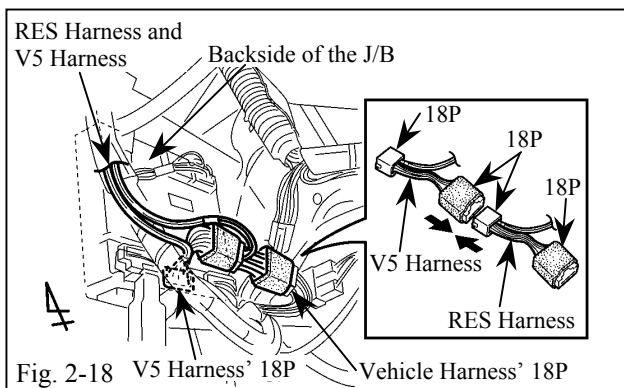
(z) Plug in the RES harness' white 18P connectors between the vehicle harness' 18P connector and the backside of the driver side J/B. (Fig. 2-16)

(1) Verify the connectors are plugged in securely.



(aa) Secure the 18P connector to the vehicle harness with one wire tie. (Fig. 2-17)

Go to step ee.



FOR RES HARNESS and V5 HARNESS
SIMULTANEOUS INSTALLATION ONLY.

(Steps bb-cc)

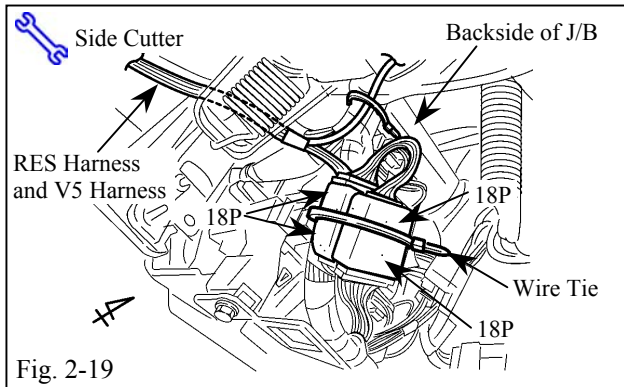


NOTE: Only perform these installation steps if the RES harness and V5 harness are being installed simultaneously.

(bb) Connect the RES harness' white 18P male connector to the V5 harness' white 18P female connector. (Fig. 2-18)

(cc) Plug in the V5 harness' white 18P connector into the driver side J/B. Then connect the RES harness' white 18P connector to the vehicle harness' white 18P connector. (Fig. 2-18)

(1) Verify the connectors are plugged in securely.

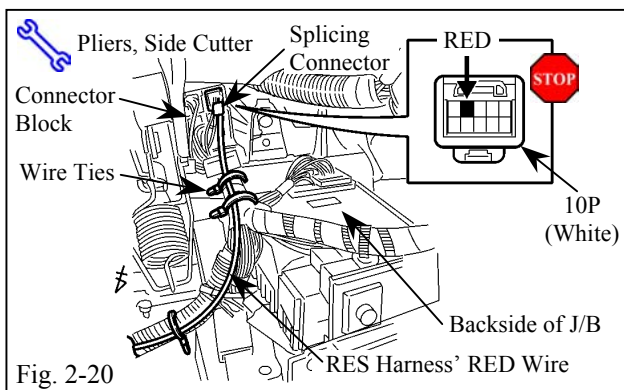


FOR RES HARNESS and V5 HARNESS
SIMULTANEOUS INSTALLATION ONLY.
(Step dd)



NOTE: Only perform these installation steps if the RES harness and V5 harness are being installed simultaneously.

(dd) Secure the two 18P connectors to the vehicle harness with one wire tie. (Fig. 2-19)



(ee) Look up at the backside of the driver side J/B, then locate the white 10P connector in the connector block. (Fig. 2-20)

(ff) Locate the white 10P connector's RED wire. Attach the RES harness' RED wire with a splicing connector. (Fig. 2-20)



CAUTION: Make sure the RED wire is spliced in the WHITE connector. There is an additional gray connector located around the white connector. Do NOT splice the red wire into the gray connector.

(1) Turn the connector so the wires face you and the tab is on top.

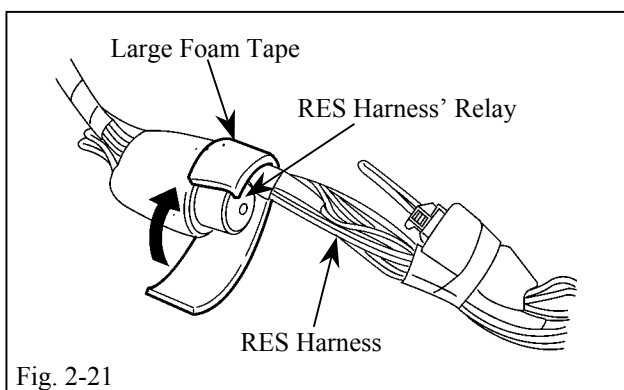


(2) Verify the correct wire is chosen for splicing.

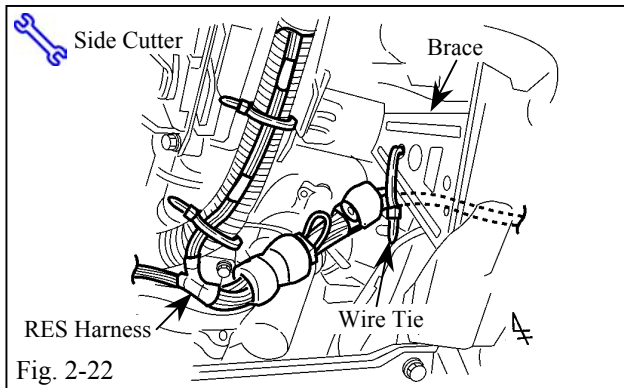


(3) Verify the splicing connector is applied properly.

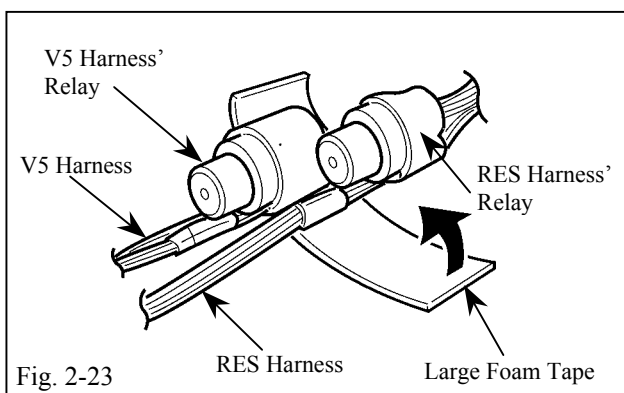
(gg) Secure the RES harness' RED wire to the vehicle harness with one wire tie. (Fig. 2-20)



(hh) Locate the RES harness' relay from the steering shaft area, Then, wrap the relay's metal part with one large foam tape. (Fig. 2-21)



- (ii) Route the RES harness toward the center cluster area, then secure it to the driver side metal brace with one wire tie. (Fig. 2-22)

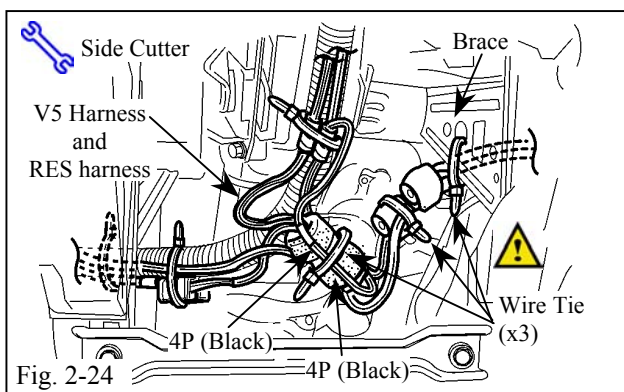


FOR RES HARNESS and V5 HARNESS
SIMULTANEOUS INSTALLATION ONLY.
(Steps jj-ll)



NOTE: Only perform these installation steps if the RES harness and V5 harness are being installed simultaneously.

- (jj) Locate the RES harness' relay and V5 harness' relay from the steering column area, then secure two relays with large foam tape. (Fig. 2-23)



- (kk) Route the RES harness and V5 harness toward the center cluster area. (Fig. 2-24)

- (ll) Secure the 4P connector and relay to the RES harness and V5 harness with two wire ties. Secure the RES harness and V5 harness to the driver side metal brace with one wire tie. (Fig. 2-24)

- (1) After securing the 4P connector, temporarily install adjacent vehicle parts carefully and check that no wires are being pinched or pressed.



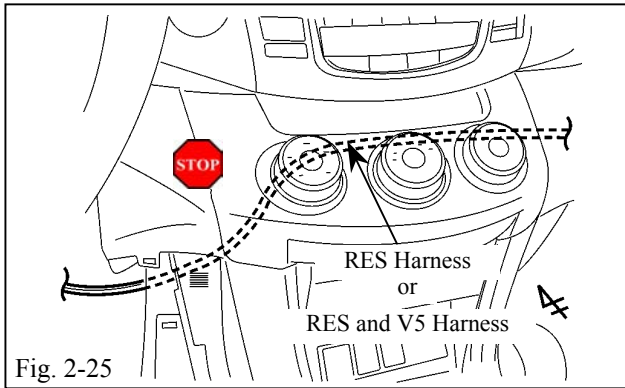


Fig. 2-25

(mm) Route the RES harness (or RES and V5 harness) toward the glove box area.

(Fig. 2-25)

- (1) Route the harness away from any moving parts such as levers, etc.

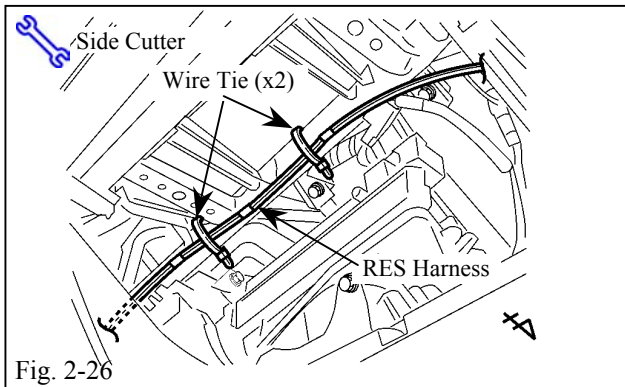


Fig. 2-26

(nn) Route the RES harness to the glove box area, then secure it to the reinforcement with two wire ties. (Fig. 2-26)

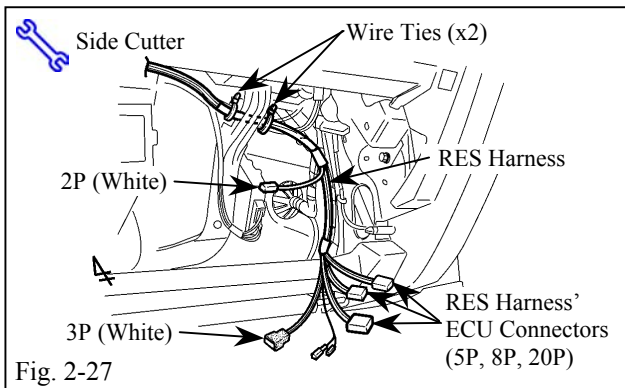


Fig. 2-27

(oo) Route the RES harness toward the passenger side cowl area, then secure it to the vehicle harness with two wire ties. (Fig. 2-27)

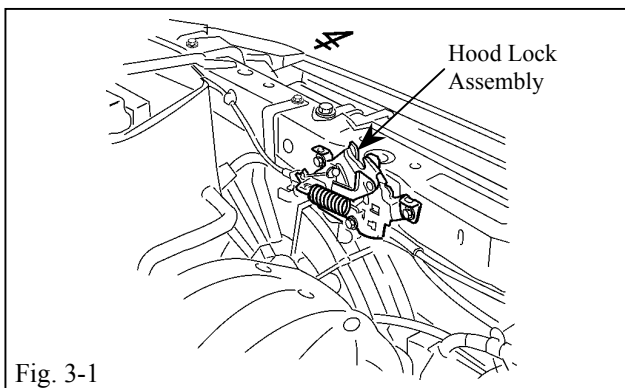


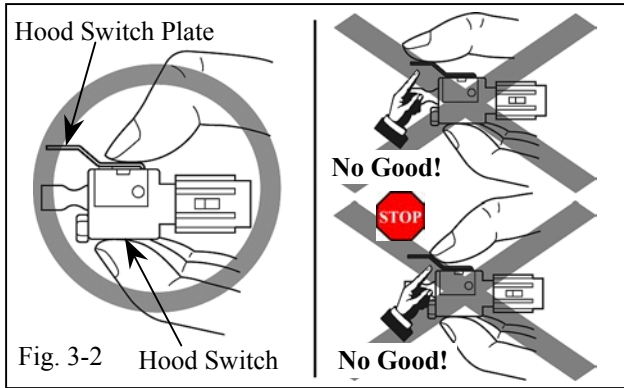
Fig. 3-1

3. Hood Switch and Hood Switch Wire Harness Installation.

(a) Locate the hood lock assembly in the engine compartment. (Fig. 3-1)



- (1) Do not remove the hood lock assembly.



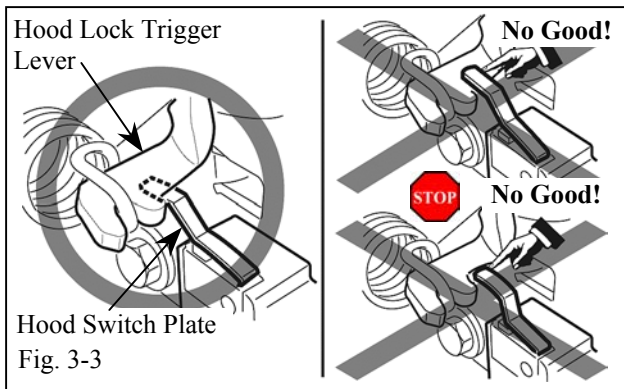
(b) Grasp and hold the hood switch vertically across its body.
When holding the hood switch, your finger must stay at the base of the hood switch plate to prevent damage the hood switch plate. (Fig. 3-2)



(1) Do not hold or press down the hood switch plate by its top part or by its sloped part. Otherwise the hood switch plate will be damaged.



(2) If the hood switch is broken or deformed, the remote engine starter will not function.



(c) Install the hood switch to the hood lock assembly. The hood switch plate is inserted under the hood lock trigger lever. (Fig. 3-3)



(1) Hood switch plate must not press against the edge of the hood lock lever.



(2) The hood switch plate must not go over the hood lock trigger lever.



(3) If the hood switch is broken or damaged, the remote engine starter will not function.

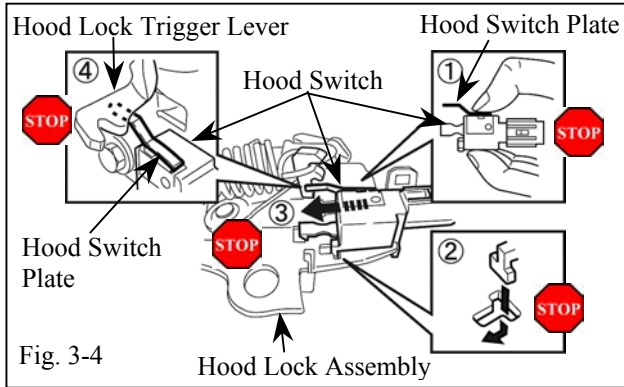


Fig. 3-4

- (d) Grasp and hold the hood switch as shown. (Fig. 3-4)
- (e) Locate the opening on the hood lock assembly. (Fig. 3-4)
- (f) Fit the hood switch on the hood lock assembly by sliding the hood switch in the direction of the arrow as shown. (Fig. 3-4)



- (1) Make sure the hood switch reaches the end of the sliding.



- (2) Check that the hood switch plate is positioned under the hood lock trigger lever.

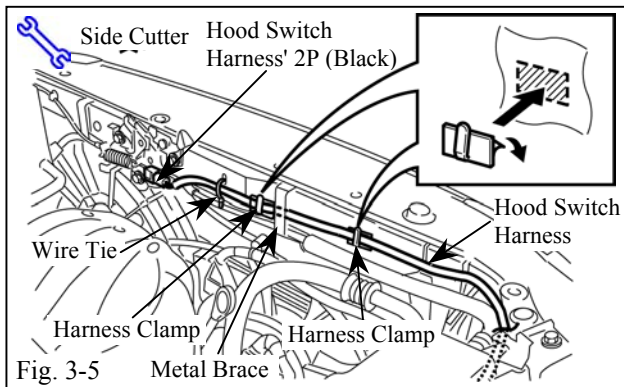


Fig. 3-5

- (g) Plug in the hood switch harness' black 2P connector to the hood switch. (Fig. 3-5)
- (1) Verify the connectors are plugged in securely.
- (h) Route the RES harness in the opening between the metal brace and engine compartment support member, then secure the hood switch harness to the engine compartment support member with one wire tie and two harness clamps. Clean engine compartment area with cleaning solution where harness clamps are installed. (Fig. 3-5)

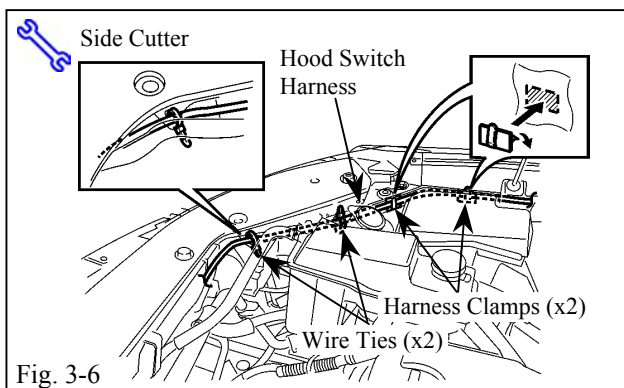
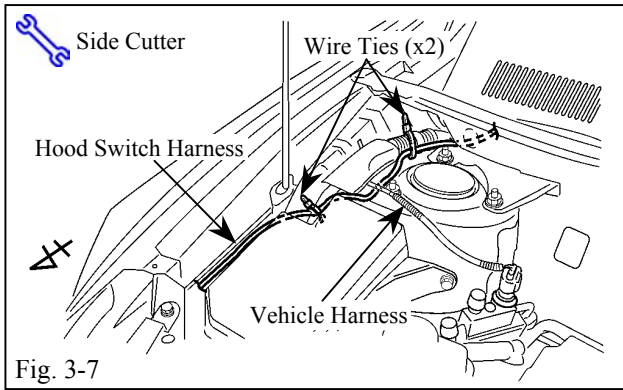
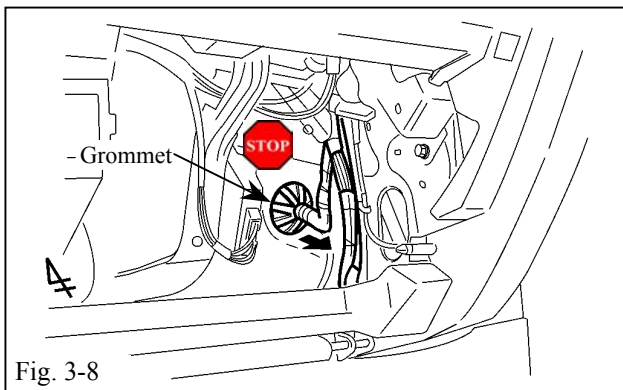


Fig. 3-6

- (i) Route the RES harness toward the fuse box area, then secure the RES harness to the engine compartment support member with two wire ties. Attach two harness clamps to the engine compartment wall as shown, then secure the RES harness. (Fig. 3-6)



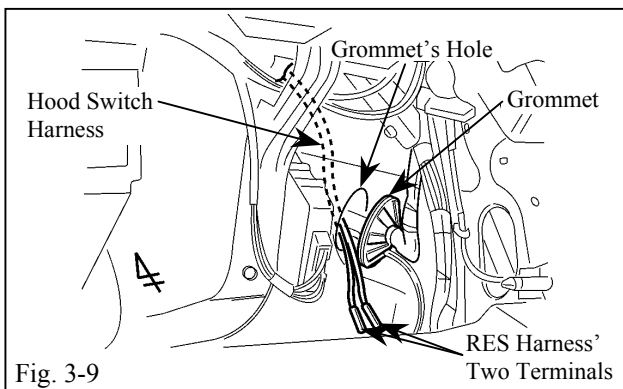
- (j) Route the RES harness toward the bulkhead, then secure the RES harness to the vehicle harness with two wire ties. (Fig. 3-7)



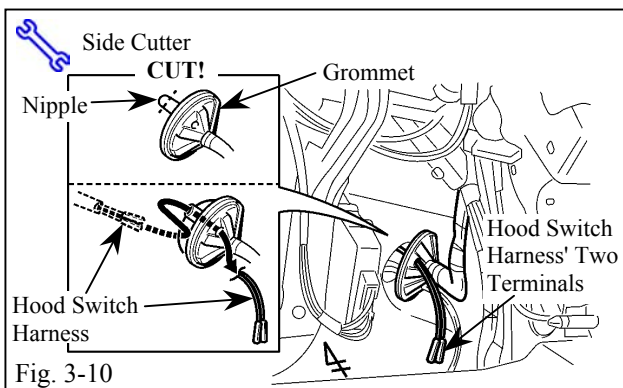
- (k) Locate the grommet in the glove box area, then slowly pull the grommet to the compartment side. (Fig. 3-8)



- (1) Do not pull the grommet to excess.
- (2) Do not tear the grommet.



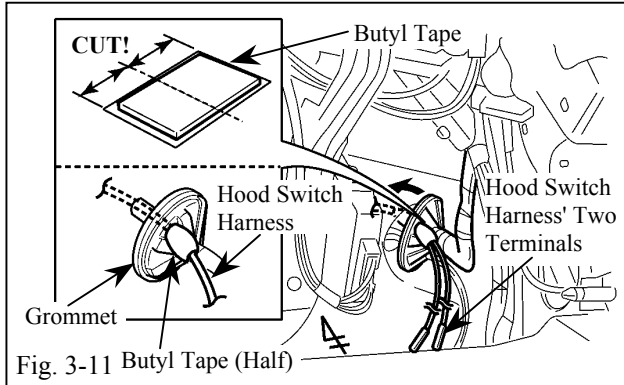
- (l) From the engine compartment, run the hood switch harness' two terminals through the removed grommet's hole, from the engine compartment to the passenger compartment. (Fig. 3-9)



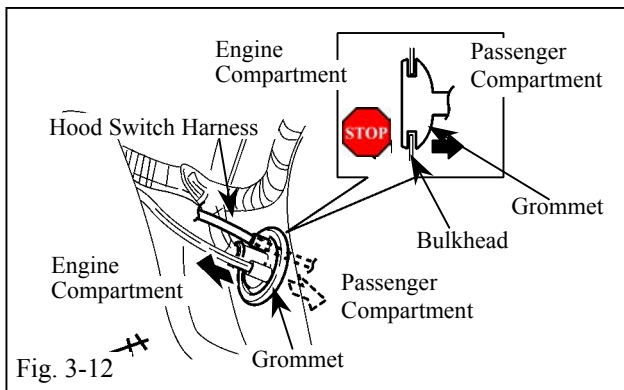
- (m) Locate the nipple in the grommet, then cut off the tip of the grommet's nipple. (Fig. 3-10)

- (1) Cut off only the tip.
- (2) Do not cut the vehicle harness.

- (n) Spray a mix of soap and water on the grommet first, then run the two terminals of the hood switch harness through the hole that was cut off the grommet, from the engine compartment to the passenger compartment. (Fig. 3-10)



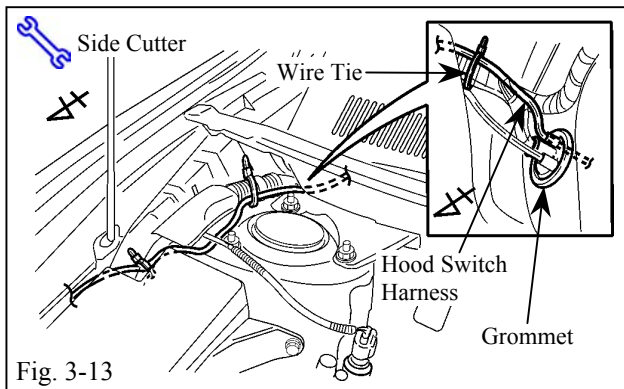
- (o) Cut the butyl tape into two pieces. Then, using half of the butyl tape, fill the opening and wrap the wires. (Fig. 3-11)



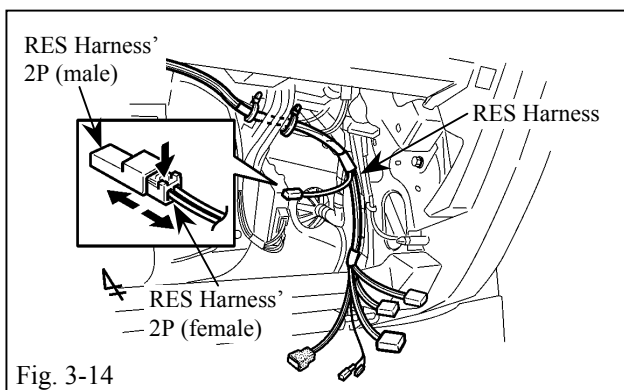
- (p) From the engine compartment, lightly pull the vehicle harness, and fit the grommet into the bulkhead of the engine compartment. (Fig. 3-12)



- (1) Verify the grommet is installed properly. If the grommet does not fit into the firewall, then water will come into the passenger compartment.



- (q) Secure the hood switch harness to the vehicle harness with one wire tie in the engine compartment area. (Fig. 3-13)



- (r) Locate the RES harness' white 2P connector in the glove box area, then disconnect the white male 2P connector plugged into the RES harness. (Fig. 3-14)

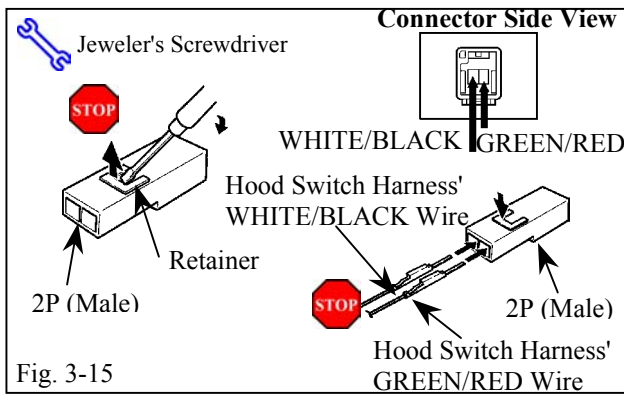


Fig. 3-15

(s) Using a small jeweler's screwdriver, lift the terminal retainer on the back of the empty connector. (Fig. 3-15)

(1) Do not pull out the retainer.

(t) Insert the terminal at the end of the hood switch harness' WHITE/BLACK wire into empty 2P connector's left side opening. (Fig. 3-15)

(u) Insert the terminal at the end of the hood switch harness' GREEN/RED wire into empty 2P connector's right side opening. (Fig. 3-15)

(1) Turn the connector so the wires face you and the tab is on top.



(2) Verify the correct wire is chosen.



(3) Verify the terminal is inserted and seated properly.



(4) The terminal should not come out when pulled lightly from the back. If the terminal comes off, then push it in further until securely seated.

(v) Close the retainer. (Fig. 3-15)

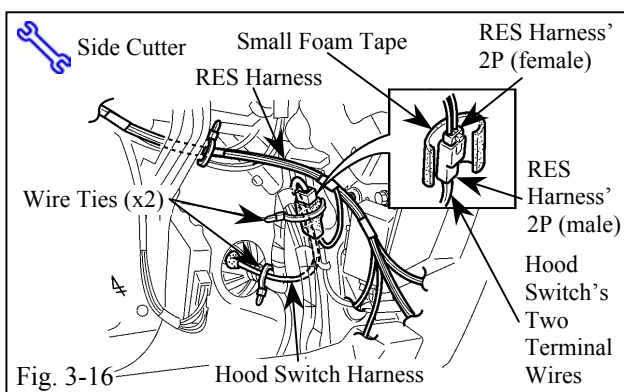
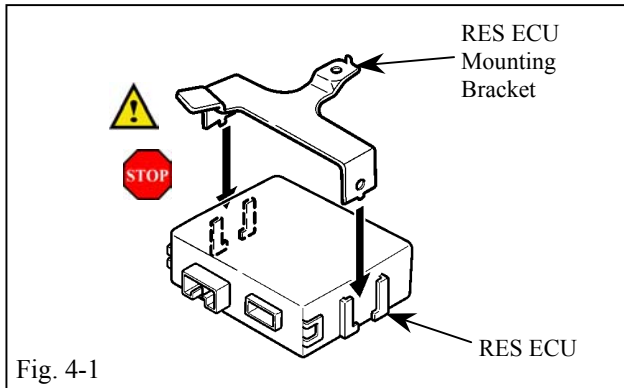


Fig. 3-16

(w) Connect the male 2P connector to the female 2P connector, then wrap the 2P connector with one small foam tape. (Fig. 3-16)

(x) Secure the 2P connector to the vehicle harness with one wire tie. (Fig. 3-16)

(y) Secure the hood switch harness to the vehicle harness with one wire tie. (Fig. 3-16)



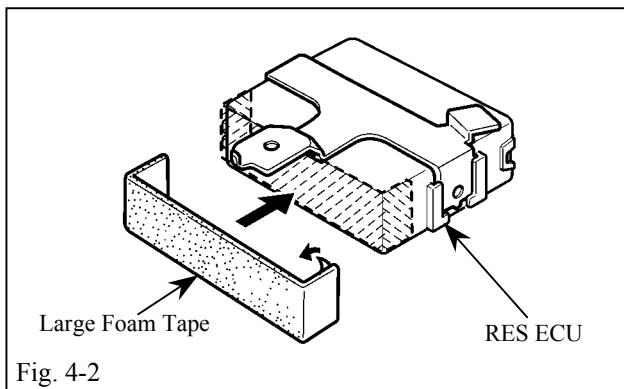
4. RES ECU and BUS ECU Preparation and Installation.

(a) Insert the ECU mounting bracket into the indicated bracket slots on the RES ECU. (Fig. 4-1)

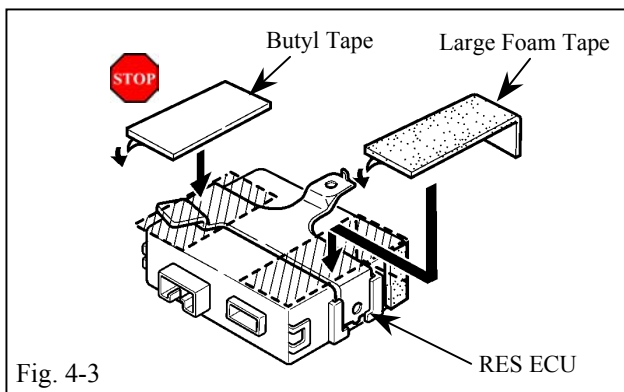
(1) Insert the mounting bracket into the correct ECU's slot.

(2) The bracket is permanently attached once installed.

(3) Ensure the bracket is firmly attached to the ECU.

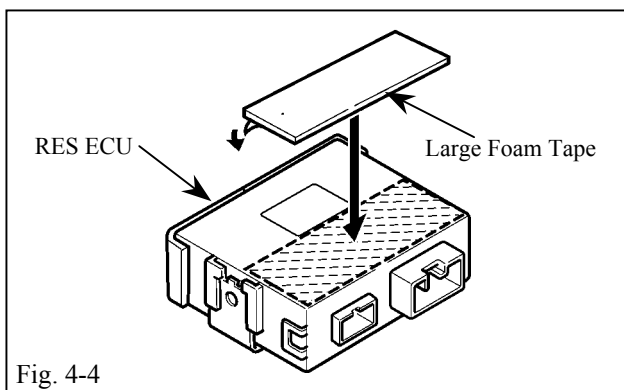


(b) Apply one large foam tape to the RES ECU opposite side of the ECU connectors. (Fig. 4-2)

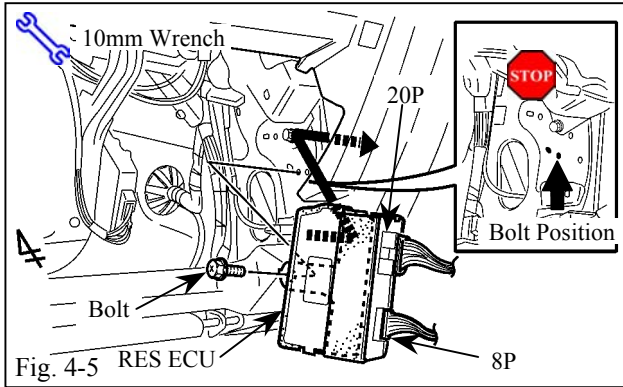


(c) Using 3M™ Prep Solvent-70, clean the area indicated on the RES ECU as shown. Apply one butyl tape onto the RES ECU. (Fig. 4-3)

(d) Apply one large foam tape onto the RES ECU as shown. (Fig. 4-3)



(e) Apply one large foam tape onto the RES ECU as shown. (Fig. 4-4)



(f) Connect the RES harness' ECU connectors (8P and 20P) to the RES ECU. (Fig. 4-5)



(g) Using 3M™ Prep Solvent-70, clean the RES ECU install area.

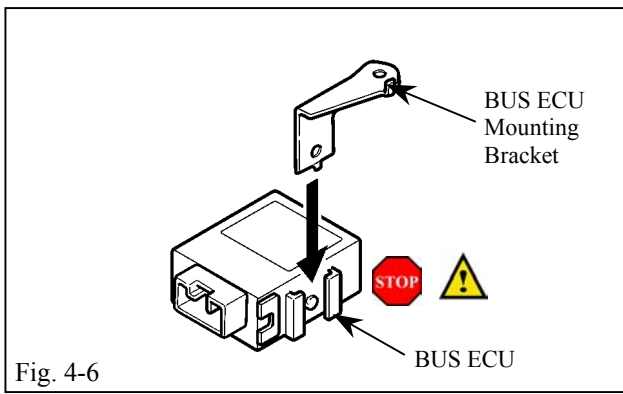
Install the ECU mounting bracket with one bolt to the right side of the glove box area as shown. (Fig. 4-5)



(1) Verify the bolt is tightened secured.



(2) Press the RES ECU to right side of the vehicle's body in the glove box area.



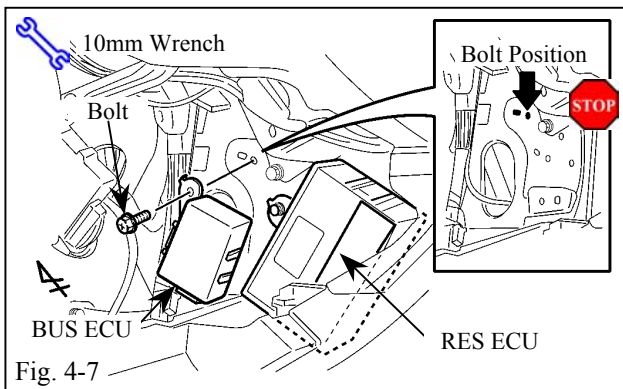
(h) Insert the BUS ECU mounting bracket into the indicated bracket slots on the BUS ECU. (Fig. 4-6)

(1) Insert the mounting bracket into the correct ECU's slot.

(2) The bracket is permanently attached once installed.



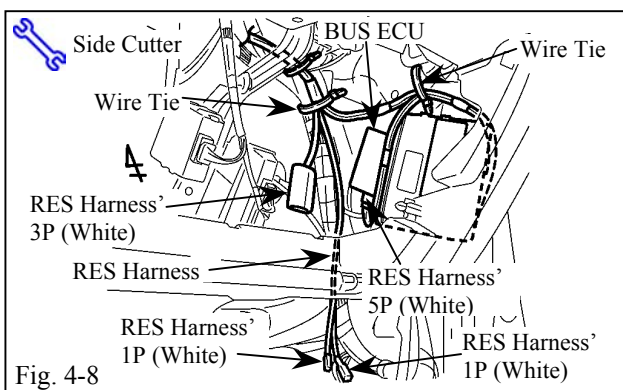
(3) Ensure the bracket is firmly attached to the ECU.



(i) Install the BUS ECU mounting bracket with one bolt to the right side of the glove box area as shown. (Fig. 4-7)



(1) Verify the bolt in tightened secured.



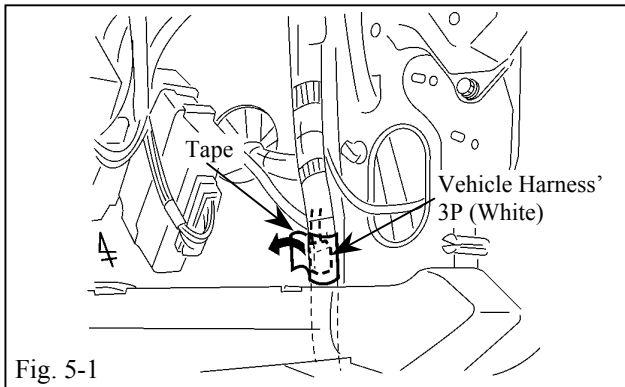
(j) Connect the RES harness' white 5P connector to the BUS ECU. (Fig. 4-8)

(k) Secure the RES harness to the vehicle harness with one wire tie. (Fig. 4-8)

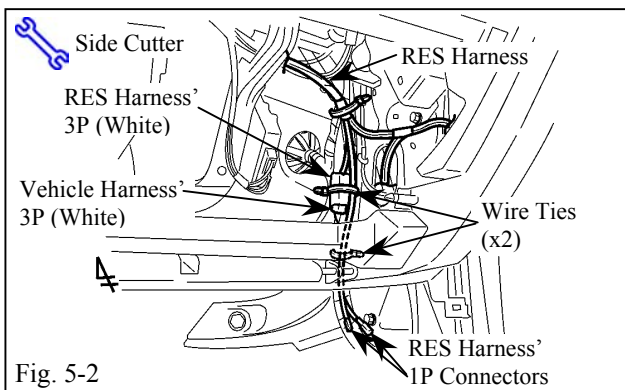
(l) Route the RES harness' white 3P connector and white 1P connectors toward the passenger's side cowl area. (Fig. 4-8)

5. RES Harness Installation (continued)

- (a) Locate and remove the tape securing the vehicle harness' white 3P connector from the right side of the glove box area. (Fig. 5-1)

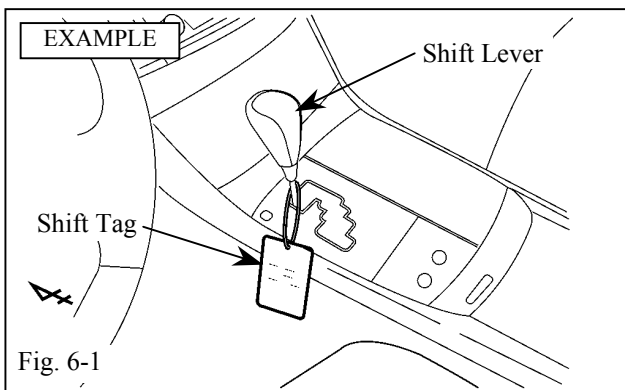


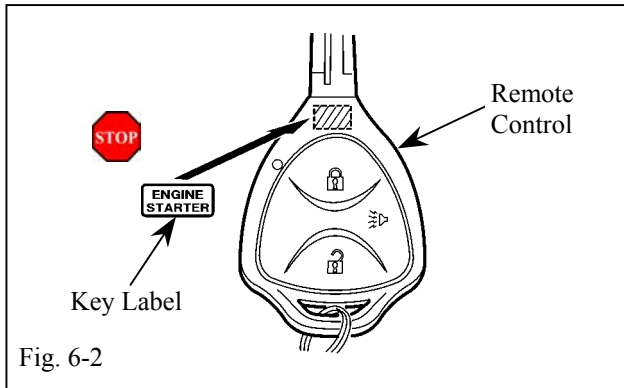
- (b) Plug in the RES harness' white 3P connector to the vehicle harness' white 3P connector. Secure the 3P connector to the vehicle harness with one wire tie. (Fig. 5-2)
- (c) Secure the RES harness to the vehicle harness with one wire tie. (Fig. 5-2)



6. Tags and Labels Installation.

- (a) Hang the shift tag on the shift lever. (Fig. 6-1)





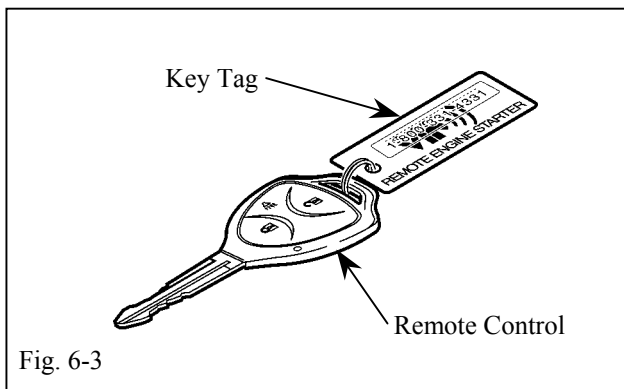
- (b) Remove one of the remote controls from its protective bag. With the utility knife, neatly cut a slit to open the bag. (Fig. 6-2)
- (c) Using 3M™ Prep Solvent-70, clean the area indicated on the remote control key. (Fig. 6-2)

(1) When cleaning with 3M™ Prep Solvent-70, follow the manufacturer's directions. Do not allow cleaner to air dry.

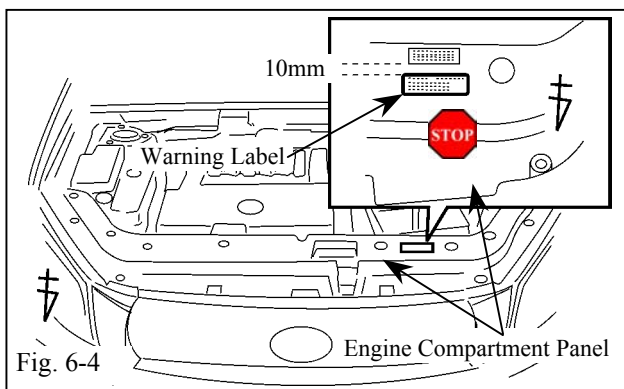
- (d) Remove the backing sheet and attach the key label to the remote control as shown. (Fig. 6-2)

(1) Use a piece of clean adhesive tape to lift the label off its protective backing sheet.

(2) Do not touch the label's adhesive surface.



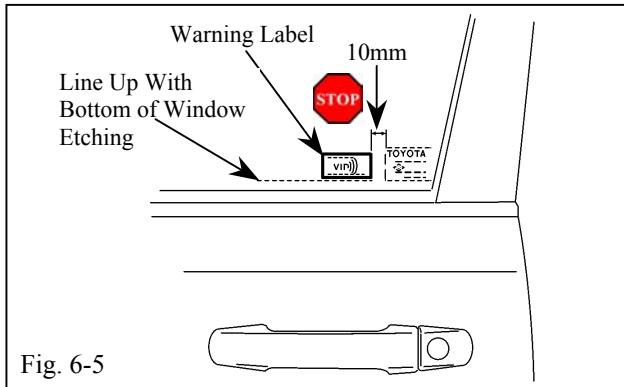
- (e) Attach a key tag to each master key ring. (Fig. 6-3)



- (f) Using 3M™ Prep Solvent-70, clean the area indicated on the engine compartment cover as shown. (Fig. 6-4)

(1) Do not allow cleaner to air dry.

- (g) Remove the backing sheet and attach the warning label to the engine compartment cover 10mm above the vehicle label's placement box. Do not touch the label's adhesive surface. (Fig. 6-4)



(h) Using household Windex, clean the inside surface of the front door's windows.

(Fig. 6-5)

(1) When cleaning with household Windex, follow the manufacturer's directions.

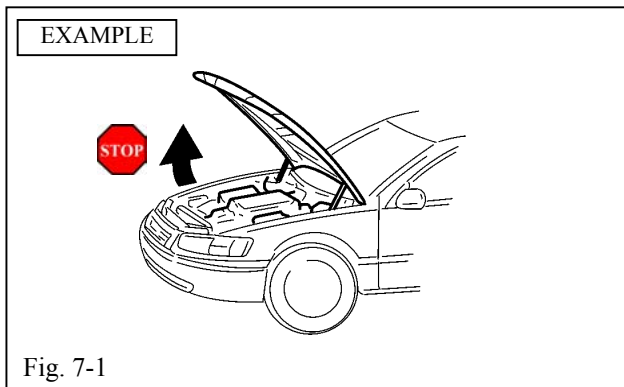
(i) Place the window labels on the inside surface of the front door's windows as shown.

(Fig. 6-5)

(1) Use a piece of clean adhesive tape to lift the labels off their protective backing sheet.



(2) Do not touch the labels' adhesive surface.

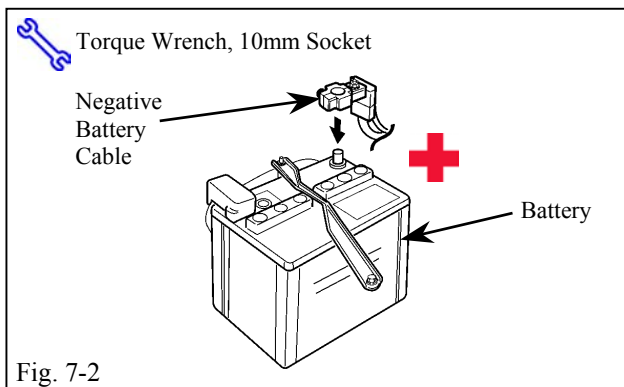


7. Registration Setting Procedure.

(a) Open the hood. (Fig. 7-1)



(1) Do not close the hood during the registration setting procedure. (Steps b-e)



(b) Temporarily reconnect the vehicle's negative battery cable. (Fig. 7-2)



(1) Do not touch the positive terminal with any tool when replacing the cable.

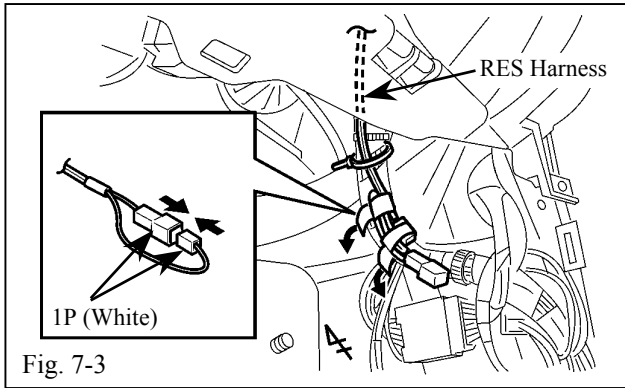


Fig. 7-3

- (c) Locate and disconnect the tape securing the RES harness' white 1P connectors from the passenger side cowl area and connect it. (Fig. 7-3)

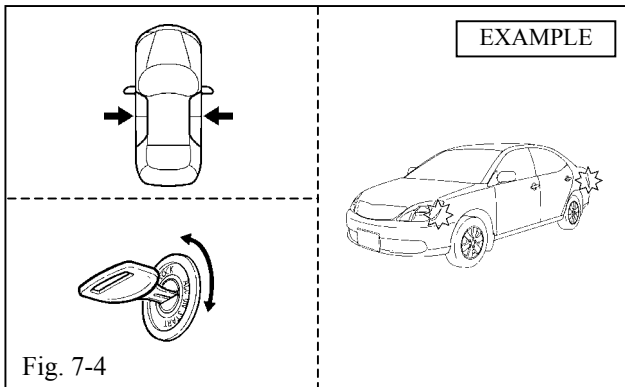


Fig. 7-4

- (d) Close all doors. Insert the key into the ignition switch and turn it from LOCK to ON 5 times (ending at ON). (Fig. 7-4)
The hazard lights flash once. (Fig. 7-4)
Turn the key to the "OFF" position.

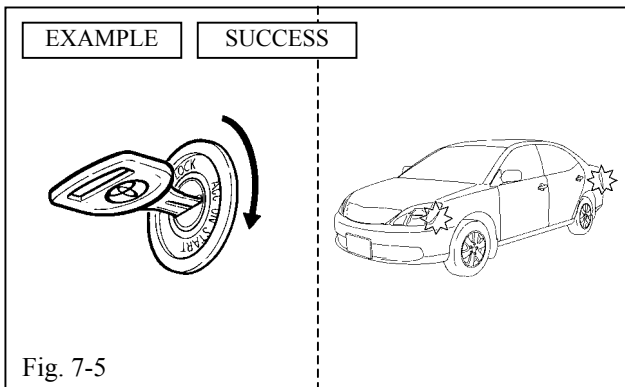


Fig. 7-5

- (e) Start the engine, after 10 seconds stop the engine.
The hazard lights flash once. Registration completed. (Fig. 7-5)

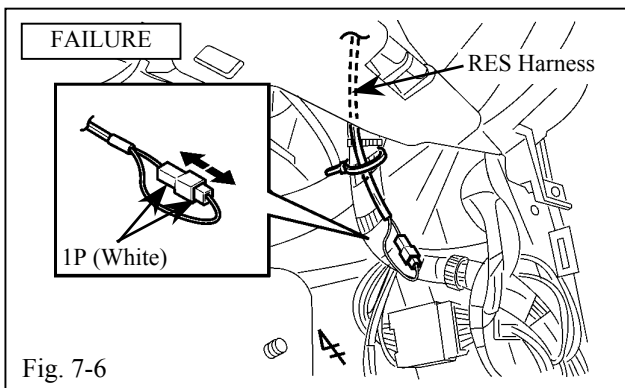


Fig. 7-6

- (f) If you fail this procedure, the hazard lights flash twice. Registration will not set. Disconnect the RES harness white 1P connector from the passenger side cowl area. (Fig. 7-6)
Start again from Step c.

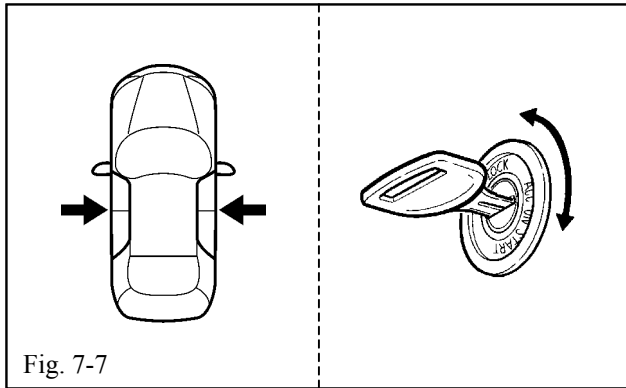


Fig. 7-7

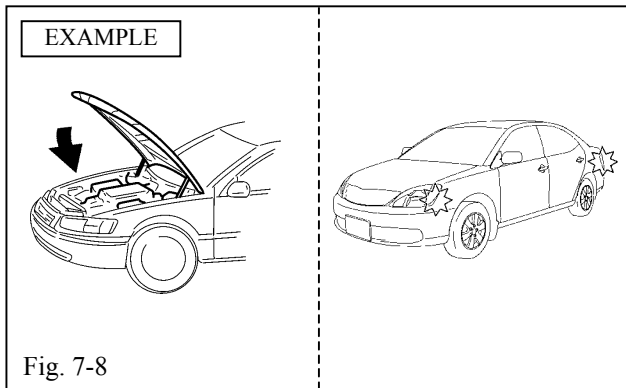


Fig. 7-8

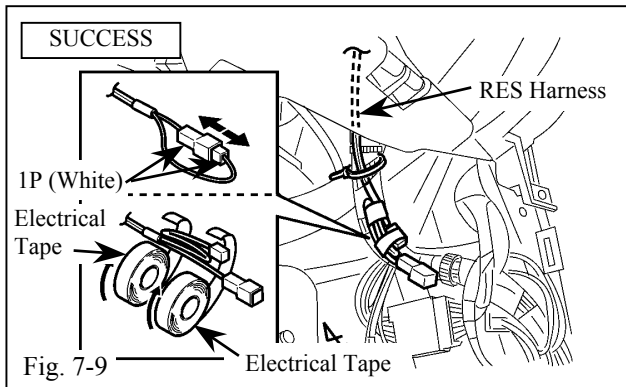


Fig. 7-9

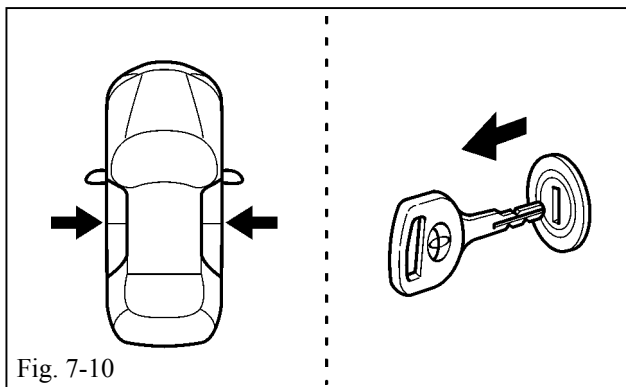


Fig. 7-10

FOR VEHICLES WITHOUT IMMOBILIZER SYSTEM ONLY (Steps g-i)



NOTE: Do not perform this step on Immobilizer vehicles.

(g) Close all doors. Insert the key into the ignition switch and turn it from LOCK to ON 5 times (ending at ON). (Fig. 7-7)

(h) Close the hood.
The hazard lights flash once. Registration completed (Fig. 7-8)

(1) If you fail this procedure, the hazard lights flash 3 times. Registration will not set.

Step again from Step a.

(i) Disconnect the RES harness' white 1P connectors. Secure the RES harness and 1P connectors with electrical tape as shown. (Fig. 7-9)

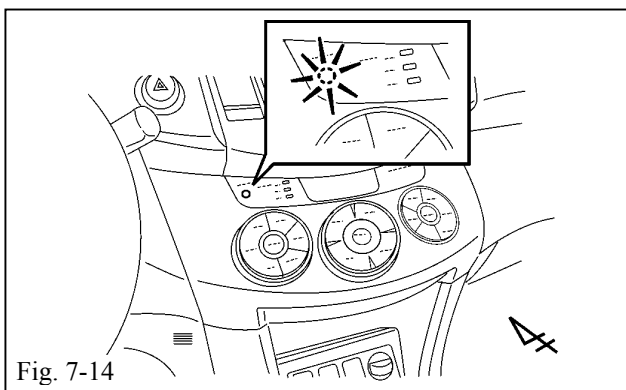
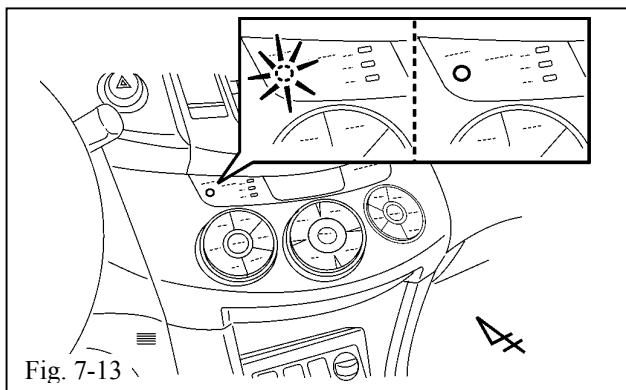
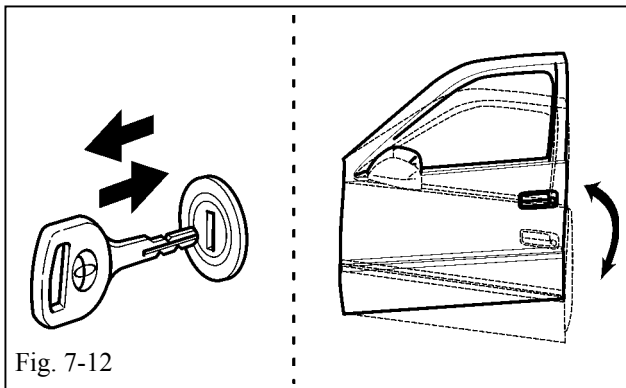
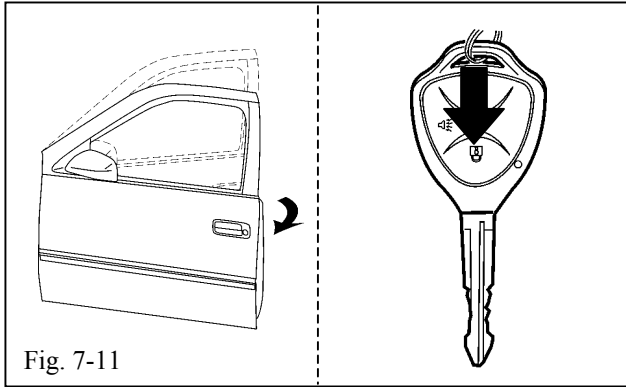
Turn the key to the "OFF" position and remove the key from the ignition switch. (Fig. 7-9)

FOR VEHICLES WITH IMMOBILIZER SYSTEM ONLY (Step j)



NOTE: Only perform this step on Immobilizer vehicles.

(j) Close all doors. Insert the key into the ignition switch and turn it to the "ON" position. Then turn it to the "OFF" position and remove the key from the ignition switch. (Fig. 7-10)



FOR VEHICLES WITH IMMOBILIZER SYSTEM ONLY (Steps k-o)



NOTE: Only perform this step on Immobilizer vehicles.

(k) Open the driver's door. Using the remote control, press the lock button twice within 2 seconds, then press and hold the lock button 4 seconds. (Fig. 7-11)

(l) Insert the key into the ignition switch, and remove it 6 times. Then insert and leave the key in the ignition switch. (Fig. 7-12)

(1) Complete this step within 20 seconds of opening the driver's door.

(m) Close the driver's door, then open and close the driver's door 7 times. (Fig. 7-12)

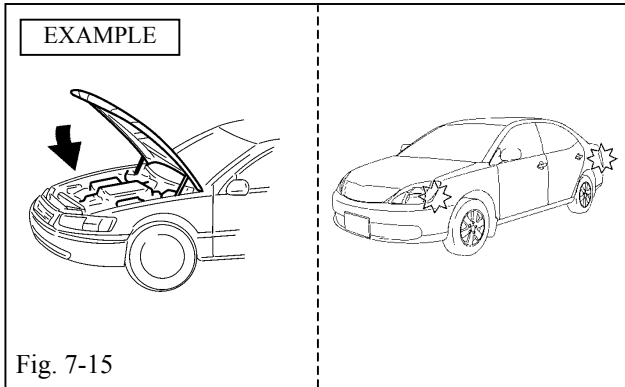
(1) Complete these steps within 35 seconds, with the driver's door closed when finished.

(2) If you fail this procedure or exceed 35 seconds during programming steps, Registration will not set. Start again from step j.

(n) After the registration process has been completed successfully.

(1) Watch the LED light up for 1 second then turn off. (Fig. 7-13)

(o) After the light is off for 1 second, the LED should light up again and stay on until the key is removed from ignition. (Fig. 7-14)



FOR VEHICLES WITH IMMOBILIZER
SYSTEM ONLY (Steps p-q)

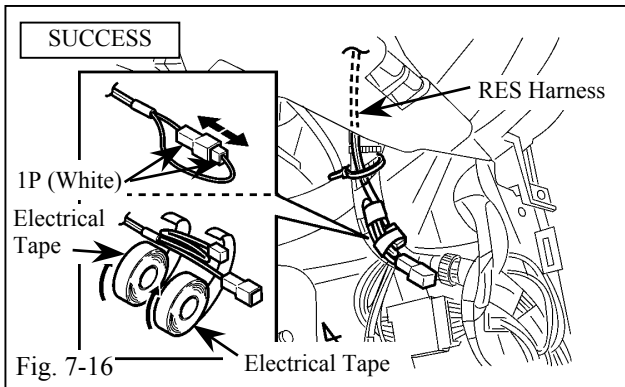
NOTE: Only perform this step on Immobilizer vehicles.

(p) Close the hood.

The hazard lights flash twice. Registration completed (Fig. 7-15)

(1) If you fail this procedure, the hazard lights flash 3 times. Registration will not set.

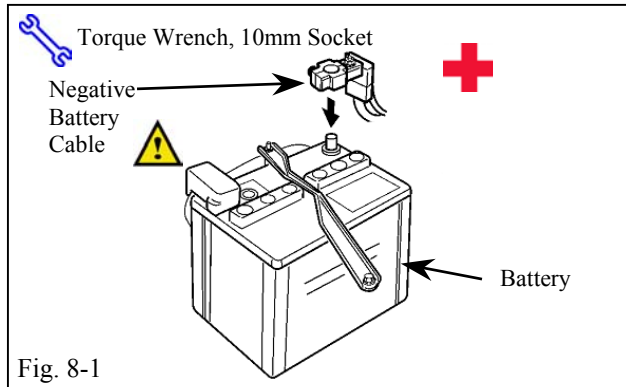
Step again from Step a.



(q) Disconnect the RES harness' white 1P connectors. Secure the RES harness and 1P connectors with electrical tape as shown. (Fig. 7-16)

Turn the key to the "OFF" position and remove the key from the ignition switch.

(Fig. 7-16)



8. Completing the Installation.

- (a) Complete the reassembly of the vehicle.
 - (1) Reconnect any disconnected connectors.
 - (2) Verify the panels fit together properly with no uneven gaps between them.
- (b) Position the negative battery cable at the original factory position. (Fig. 8-1)
 - (1) Tighten the nut to 36 in·lbf ± 1.5.
 - (2) Do not touch the positive terminal with any tool when replacing the cable.
- (c) Clean up and remove any trash.
- (d) Place the owner's manual, left in its protective bag, in the glove box.
- (e) Reset the power windows.
 - (1) Turn ignition key to the "ON" position.
 - (2) Push down the power window switches of each door, and lower the windows halfway.
 - (3) Pull up the switches until the windows close and hold switches up for a minimum of one (1) second.
- (f) Reset the power moon roof.
 - (1) Push and hold the moon roof switch to the close side until the moon roof closes. Hold for a further two (2) seconds.

Check:	Look For:
<p><u>Accessory Function Checks</u></p>	<p>Function</p>
<p>Fit the appropriate fuse before beginning.</p>	
<p>Close the hood, place the shift lever in the “P” (parking) position, set the parking brake, remove the key from the ignition, close all doors, and exit the vehicle.</p>	
<p><input type="checkbox"/> Press the remote control’s lock button twice within 2 seconds, then press and hold the lock button 3 seconds.</p>	<p>1. The hazard lights flash after 3 seconds.</p>
<p><input type="checkbox"/> Press the remote control’s unlock button.</p>	<p>The engine starts.</p>
<p><input type="checkbox"/> Press the remote control’s lock button twice within 2 seconds, then press and hold the lock button 3 seconds to start the engine.</p>	<p>The hazard lights flash repeatedly for 20 seconds.</p>
<p>With the engine running, press and hold the remote control’s lock button 2 seconds.</p>	<p>2. The engine stops.</p>
<p><input type="checkbox"/> Press the remote control’s lock button twice within 2 seconds, then press and hold the lock button 3 seconds to start the engine.</p>	<p>The hazard lights flash twice.</p>
<p>Unlock the doors with the key.</p>	<p>3. Refer to Step 1.</p>
<p>Enter the vehicle and close all doors.</p>	<p>The engine stops.</p>
<p><input type="checkbox"/> Press the remote control’s lock button twice within 2 seconds, then press and hold the lock button 3 seconds to start the engine.</p>	<p>The hazard lights flash once.</p>
<p>With the engine running, manually unlock any door with the inside lock switch.</p>	<p>4. Refer to Step 1.</p>
	<p>The engine stops.</p>
	<p>The hazard lights flash once.</p>
	<p>The security alarm triggers.</p>
	<p>5. Refer to Step 1.</p>
	<p>The engine stops.</p>
	<p>The hazard lights flash once.</p>
	<p>The security alarm triggers.</p>

TOYOTA RAV4 2006 - TVIP V4 (REMOTE ENGINE STARTER)
 Checklist - these points **MUST** be checked to ensure a quality installation.

<u>Check:</u>	<u>Look For:</u>
<input type="checkbox"/> Press the remote control's lock button twice within 2 seconds, then press and hold the lock button 3 seconds to start the engine. With the engine running, pull the hood release handle.	6. Refer to Step 1. The engine stops. The hazard lights flash once. The security alarm triggers.
<p>Exit the vehicle, close the hood, then enter the vehicle and close all doors.</p>	
<input type="checkbox"/> Press the remote control's lock button twice within 2 seconds, then press and hold the lock button 3 seconds to start the engine. With the engine running, push on the foot brake.	7. Refer to Step 1. The engine stops. The hazard lights flash once.
<input type="checkbox"/> Press the remote control's lock button twice within 2 seconds, then press and hold the lock button 3 seconds to start the engine. With the engine running, insert the key into the ignition switch.	8. Refer to Step 1. The engine stops. The hazard lights flash once.

<u>Vehicle Function Checks</u>	
<input type="checkbox"/> Head Lights	Functioning Head Lights
<input type="checkbox"/> High Beams	Functioning High Beams
<input type="checkbox"/> Turn Signal Lights	Functioning Turn Signal Lights
<input type="checkbox"/> Tail Lights	Functioning Tail Lights
<input type="checkbox"/> Stop Lights	Functioning Stop Lights
<input type="checkbox"/> Backup Lights	Functioning Backup Lights
<input type="checkbox"/> Hazard Lights	Functioning Hazard Lights
<input type="checkbox"/> Marker Lights	Functioning Marker Lights
<input type="checkbox"/> Dome/Courtesy Lights	Functioning Dome/Courtesy Lights

TOYOTA RAV4 2006 - TVIP V4 (REMOTE ENGINE STARTER)
 Checklist - these points **MUST** be checked to ensure a quality installation.

<u>Check:</u>	<u>Look For:</u>
<input type="checkbox"/> Panel/Switch Illumination	Functioning Controls/Illumination
<input type="checkbox"/> Accessory Controls/Illumination (if equipped)	Functioning Accessory
<input type="checkbox"/> Key Sensor Buzzer	Functioning Key Sensor
<input type="checkbox"/> Fog Lights (if equipped)	Functioning Fog Lights
<input type="checkbox"/> Daytime Running Lights (if equipped)	Functioning DR Lights
<input type="checkbox"/> Trunk/Tailgate/Bed Lights (if equipped)	Functioning Lights
<input type="checkbox"/> Glove Box Light (if equipped)	Functioning Glove Box Light
<input type="checkbox"/> Cruise Control Light (if equipped)	Functioning Cruise Control Light
<input type="checkbox"/> Seat Belt Warning Light	Functioning Seat Belt Warning Light. If the warning light remains on, it may indicate a system malfunction.
<input type="checkbox"/> Air Bag Warning Light	Functioning Air Bag Warning Light. If the warning light remains on, it may indicate a system malfunction.
<input type="checkbox"/> ABS Light (if equipped)	Functioning ABS Light. If the warning light remains on, it may indicate a system malfunction.
<input type="checkbox"/>	
<input type="checkbox"/> Lamp Failure Sensor (if equipped)	Functioning Lamp Failure Light. If the warning light remains on, it may indicate a system malfunction.
<input type="checkbox"/> Track/Skid Control Light (if equipped)	Functional Track/VSC Light. If the warning light remains on, it may indicate a system malfunction.
<input type="checkbox"/> HVAC	Functioning HVAC Controls
<input type="checkbox"/> Power Locks (if equipped)	Functioning Power Locks

TOYOTA RAV4 2006 - TVIP V4 (REMOTE ENGINE STARTER)
Checklist - these points **MUST** be checked to ensure a quality installation.

Check:

- Power Windows (if equipped)
- Power Seats (if equipped)
- Horn
- Gauges
- Front Wiper/Washer
- Rear Wiper/Washer (if equipped)
- Clock (if equipped)
- Accessory Power Socket (if equipped)
- Starter
- Audio/Video (if equipped)
- Power Sliding Door (if equipped)
- Convenience Memory Settings (if equipped)
- Heated Seats (if equipped)
- Massage Seats (if equipped)
- Rear Window Defogger (if equipped)
- Power Side Mirrors (if equipped)
- Side Mirror Defogger (if equipped)
- Front Windshield Defogger (if equipped)
- Navigation System (if equipped)
- Rear Sunshade (if equipped)
- Steering Wheel Audio Control (if equipped)

Remove the appropriate fuse after checks are completed.

Look For:

- Functioning Power Windows
- Functioning Power Seats
- Functioning Horn
- Functioning Gauges
- Functioning Front Wiper/Washer
- Functioning Rear Wiper/Washer
- Functioning Clock
- Functioning Power Socket
- Functioning Starter
- Functioning Audio/Video
- Functioning Power Sliding Door
- Functioning Memory Settings
- Functioning Heated Seats
- Functioning Massage Seats
- Functioning Rear Window Defogger
- Functioning Power Side Mirrors
- Functioning Side Mirror Defogger
- Functioning Front Windshield Defogger
- Functioning Navigation System
- Functioning Rear Sunshade
- Functioning Steering Wheel Audio Control