

**Part Number: PT228-42060** (Vehicles with tow package)

**NOTE:** Part number of this accessory may not be the same as the part number shown.

**Kit Contents**

| Item # | Quantity Reqd. | Description                   |
|--------|----------------|-------------------------------|
| 1      | 1              | Trailer Hitch                 |
| 2      | 1              | RH Support Bracket            |
| 3      | 1              | LH Support Bracket            |
| 4      | 1              | LH Frame Bracket              |
| 5      | 1              | Toyota Hitch Plug             |
| 6      | 1              | LH Stiffener                  |
| 7      | 1              | RH Stiffener                  |
| 8      | 2              | Stiffener Back Plate Assembly |

**Hardware Bag Contents**

| Item # | Quantity Reqd. | Description              |
|--------|----------------|--------------------------|
| 1      | 17             | M12 x 35 Hex Flange Bolt |
| 2      | 4              | M10 x 30 Hex Flange Bolt |
| 3      | 8              | M8 x 25 Hex Flange Bolt  |
| 4      | 1              | French Capacity Label    |
| 5      | 1              | Spanish Capacity Label   |

**Additional Items Required For Installation**

| Item # | Quantity Reqd. | Description |
|--------|----------------|-------------|
| 1      |                |             |

**Conflicts**

|  |
|--|
|  |
|--|

**Recommended Tools**

| <b>Personal &amp; Vehicle Protection</b> | <b>Notes</b>            |
|--|-------------------------|
| Safety Glasses                           |                         |
| Blanket                                  |                         |
|  |                         |
| <b>Special Tools</b>                     | <b>Notes</b>            |
| Exhaust Hanger Removal Tool              | e.g. Snap On P/N YA3202 |
|  |                         |
| <b>Installation Tools</b>                | <b>Notes</b>            |
| 3/8" Socket wrench                       |                         |
| Flat Screwdriver                         |                         |
| 10 mm Box end wrench                     |                         |
| Socket extension                         | 3", 6"                  |
| Socket                                   | 12 mm                   |
| Socket                                   | 14 mm                   |
| Socket                                   | 17 mm                   |
| Putty knife                              | If required             |
| Torque Wrench                            | 0 – 100 lbf-ft.         |
| Masking tape                             |                         |
|  |                         |
| <b>Special Chemicals</b>                 | <b>Notes</b>            |
| 3M™ Auto body Sealant                    |                         |

**General Applicability**

|                               |
|-------------------------------|
| For vehicles with tow package |
|-------------------------------|

**Recommended Sequence of Application**


| Item # | Accessory     |
|--------|---------------|
| 1      | Trailer Hitch |
| 2      | Wire Harness  |
| 3      |               |


\*Mandatory


**Vehicle Service Parts** (may be required for reassembly)


| Item # | Quantity Reqd. | Description |
|--------|----------------|-------------|
| 1      |                |             |
| 2      |                |             |
| 3      |                |             |

**Legend**

 **STOP:** Damage to the vehicle may occur. Do not proceed until process has been complied with.

 **OPERATOR SAFETY:** Use caution to avoid risk of injury.

 **CAUTION:** A process that must be carefully observed in order to reduce the risk of damage to the accessory/vehicle and to ensure a quality installation.

 **TOOLS & EQUIPMENT:** Used in Figures calls out the specific tools and equipment recommended for this process.

Care must be taken when installing this accessory to ensure damage does not occur to the vehicle. The installation of this accessory should follow approved guidelines to ensure a quality installation.

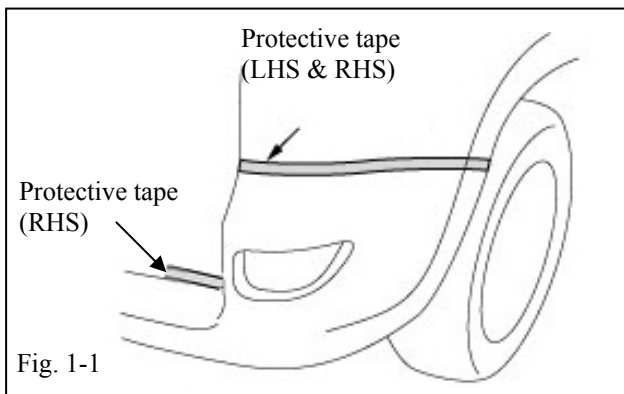
These guidelines can be found in the "Accessory Installation Practices" document.

This document covers such items as:-

- Vehicle Protection (use of covers and blankets, cleaning chemicals, etc.).
- Safety (eye protection, rechecking torque procedure, etc.).
- Vehicle Disassembly/Reassembly (panel removal, part storage, etc.).
- Electrical Component Disassembly/Reassembly (battery disconnection, connector removal, etc.).

Please see your Toyota dealer for a copy of this document.

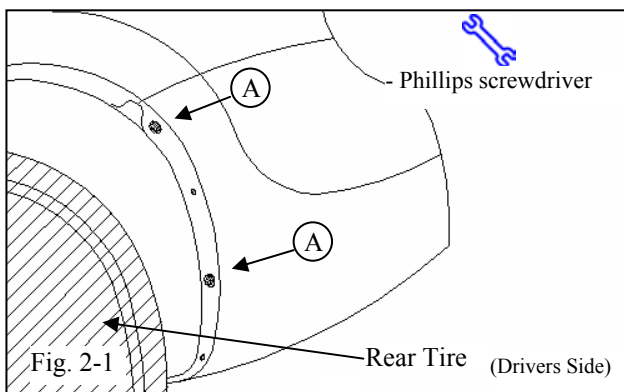
**1. Prepare for Installation.**



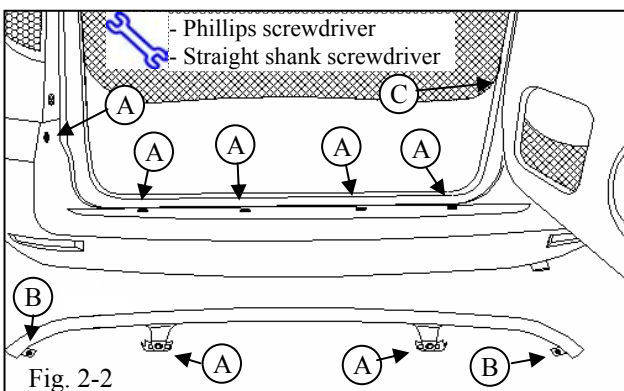
- (a) Verify kit contents
- (b) Wear Safety Glasses.
- (c) Raise Vehicle.
- (d) Caution Muffler might be hot
- (e) Apply masking tape to quarter panels above the bumper fascia. (Fig. 1-1)

**NOTE:** To prevent damage when removing the bumper fascia, apply masking tape on the underside of the bottom right-hand corner of the door. (Fig. 1-1)

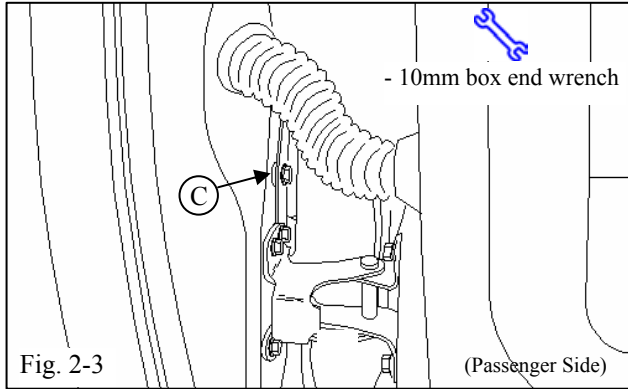
**2. Remove Rear Bumper Fascia**



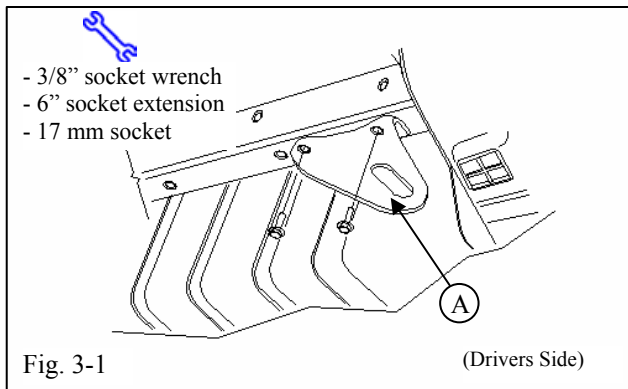
- (a) Remove (2) Phillips head screws (A) from both sides of the rear fascia (Fig. 2-1).



- (b) Remove (7) push pins (A) on edges of fascia (Fig. 2-2)
- (c) Remove (2) Phillips head screws (B) from bottom of fascia (Fig. 2-2).
- (d) See Fig. 2-3 for removal of fastener (C).

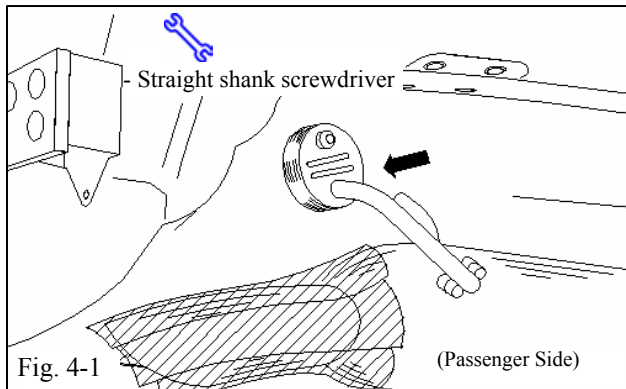


- (e) Remove (1) 10 mm hex head bolt (C) from right hand (RH) side of fascia. (Fig. 2-3)
- (f) With one person on each end, remove fascia from vehicle. Store in a safe place to avoid damage during installation.



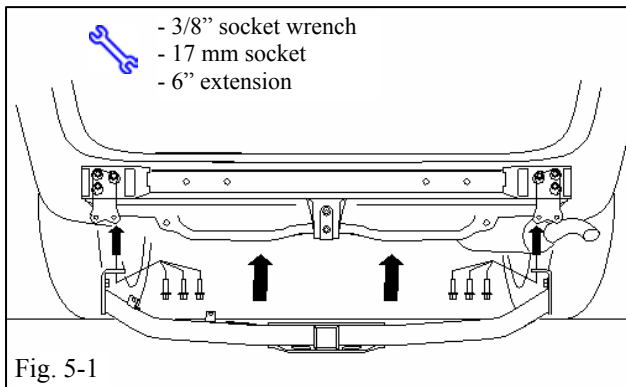
**3. Remove Vehicle Tie Down**

- (a) Remove (2) M12 Bolts and vehicle tie down (A) from the left hand (Drivers Side) rear of vehicle (Fig. 3-1).
- (b) Dispose of bracket and (2) bolts.



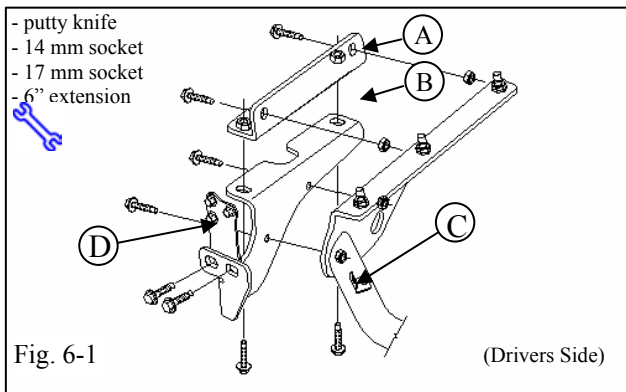
**4. Detach Muffler**

- ⚠ (a) Protect exhaust tip with a rag or protective tape during installation of hitch (Fig. 4).
- ⚠ (b) Detach muffler from exhaust hanger (Fig. 4-1).



**5. Install Hitch**

- (a) Lift hitch into place (requires 2 people) and install the (3) M12 x 35 bolts into the (3) weld nuts in the bottom of the frame rails (Fig. 5-1).
- (b) Loosely secure the middle bolts first, then the (2) forward and aft bolts on each side.
- (c) Do not tighten bolts at this time.



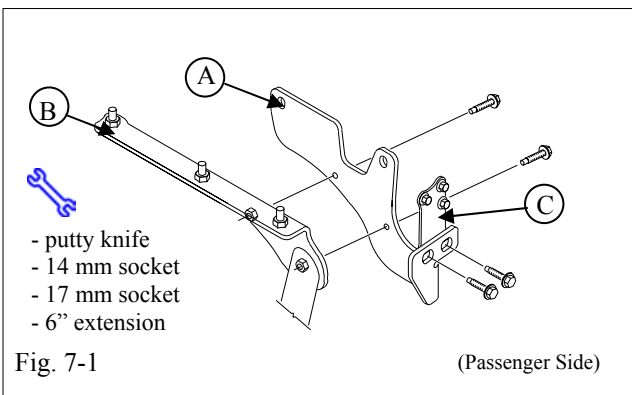
**6. Install Drivers Side Brackets**

(a) Install LH Frame Bracket (A) to the side of the frame rail using (2) of the M12 x 35 bolts (Fig. 6-1).

**⚠ NOTE:** Excess body sealant may require removal of sealant before continuing installation. Protect any bare areas with 3M™ Auto body sealant.

(b) Install LH Support Bracket (B) to Driver's Side of Hitch (C), and to bottom of LH Frame Bracket using (4) M12 x 35 bolts. Do not tighten (Fig. 6-1).

(c) Fasten LH Support Bracket (B) to LH Bumper Bracket (D) using (2) M10 x 30 bolts. Do not tighten (Fig. 6-1).



**7. Install Passenger Side Bracket**

(a) Install RH Support Bracket (A) to Passenger Side of Hitch (B) using (2) M12 x 35 bolts. Do not tighten (Fig. 7-1).

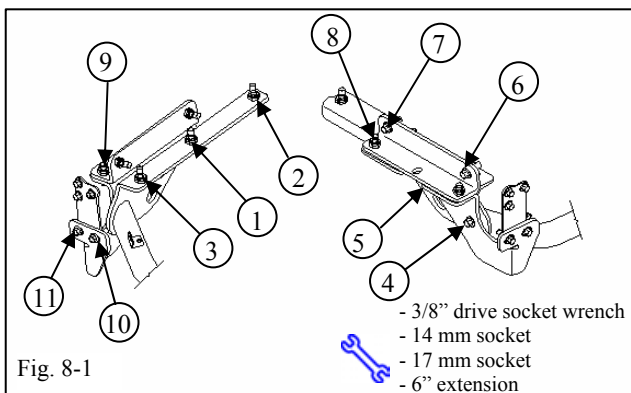
(b) Fasten RH Support Bracket (A) to RH Bumper Bracket (C) using (2) M10 x 30 bolts. Do not tighten (Fig. 7-1).

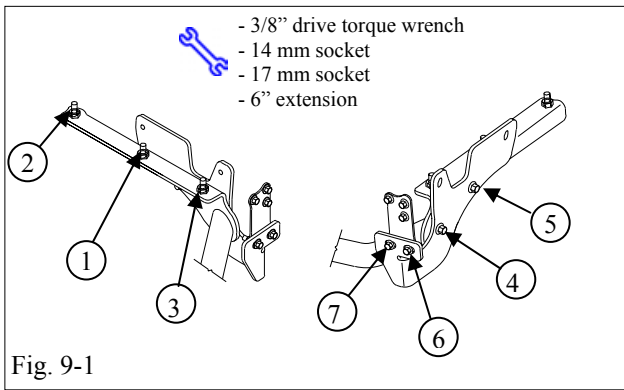
**8. Tighten Driver's Side Bolts**

(a) Prior to tightening bolts, make sure the hitch receiver tube is centered to vehicle center bracket. (See Fig. 6-1)

(b) Tighten all M12 x 35 bolts to 80 N-m (60 lbf-ft) in the sequence shown. (Fig. 8-1) 1-9

(c) Tighten all M10 x 30 bolts to 50 N-m (37 lbf-ft) in the sequence shown. (Fig. 8-1) 10-11

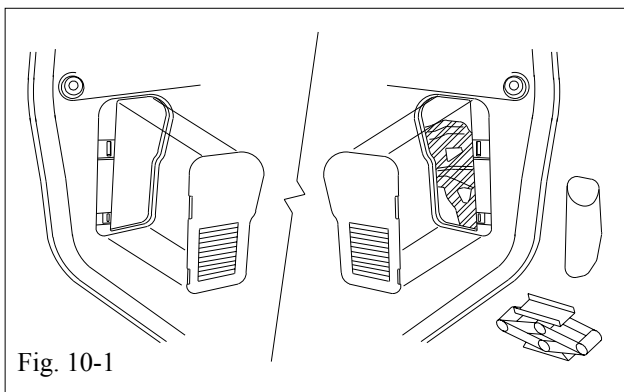




**9. Tighten Passenger Side bolts**

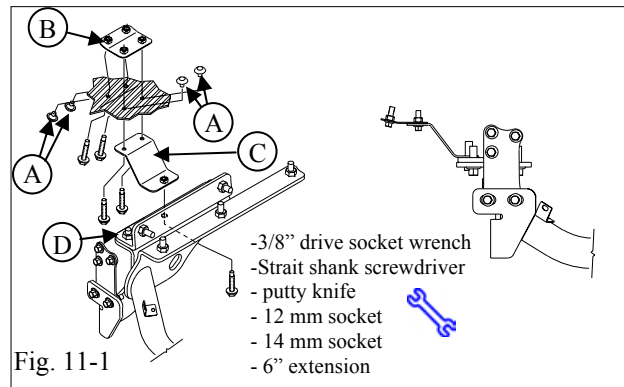
- (a) Tighten all M12 x 35 Bolts to 80 N-m (60 lbf-ft) in the sequence shown. (Fig. 9-1) 1-5
- (b) Tighten all M10 x 30 bolts to 50 N-m (37 lbf-ft) in the sequence shown. (Fig 9-1) 6-7

**10. Remove the interior access panels & tire jack**

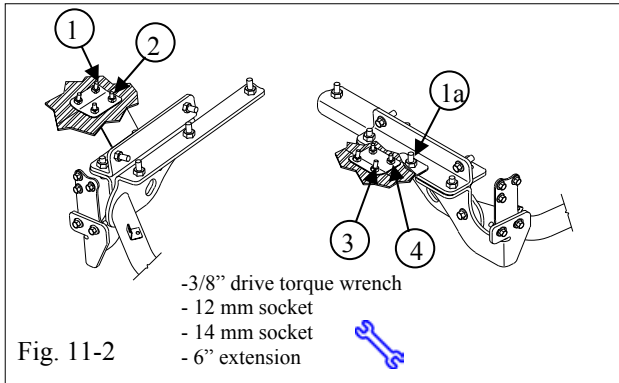


- (a) Open rear door and place a blanket on the cargo area.
- (b) Remove the LH & RH access panels.
- (c) Remove tire jack and tire jack tool bag from the storage compartment as shown. (Fig 10-1)

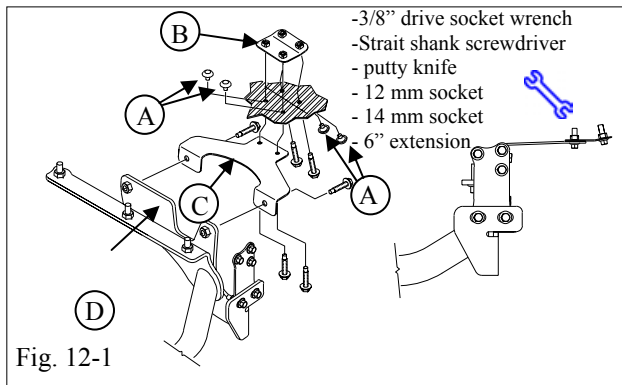
**11. Install LH Stiffener Bracket and Back Plate Assembly.**



- (a) Remove and discard 4 plugs (A) inside the LH compartment behind the access panel removed in step ten (10) (Fig 11-1)
- (b) Place a stiffener back plate (B) inside the LH compartment with the weld nuts facing up, and the longer flat portion of the bracket towards the center of the vehicle.
- (c) Secure the LH Stiffener Bracket (C) to LH Frame Bracket (D) using (1) M12 x 35 bolt. Do not tighten (Fig. 11-1).
- (d) Install LH Stiffener Bracket (C) to Stiffener back plate (B) using (4) M8 x 25 bolts. Do not tighten (Fig. 11-1).

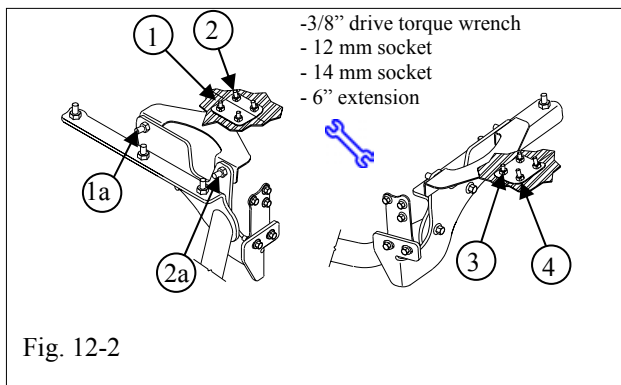


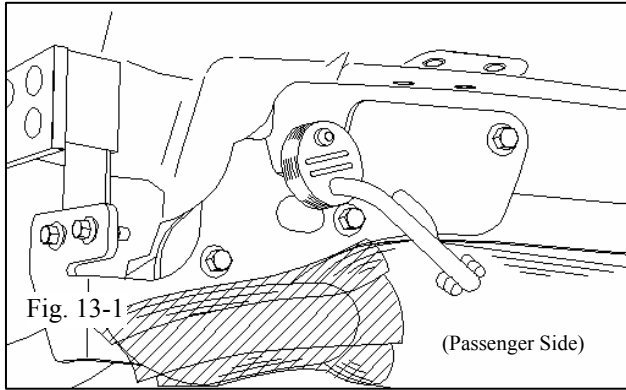
- (e) Tighten the (4) M8 bolts on the stiffener back plate to 25 N-m (19 lbf-ft) as shown. (Fig. 11-2) 1-4
- (f) Tighten the M12 x 35 Bolt to 80 N-m (60 lbf-ft) as shown. (Fig. 11-2) 1a



**12. Install RH Stiffener Bracket and Back Plate Assembly.**

- (a) Remove and discard 4 plugs (A) inside the RH compartment behind the access panel removed in step ten (10) (Fig 12-1)
- (b) Place stiffener back plate (B) inside the RH compartment with the weld nuts facing up, and the longer flat portion of the bracket towards the center of the vehicle.
- (c) Secure the RH Stiffener Bracket (C) to RH Support Bracket (D) using (2) M12 x 35 bolts.
- (d) Install RH Stiffener Bracket (C) to Stiffener back plate (B) using (4) M8 x 25 bolts. Do not tighten (Fig. 12-1).
- (e) Tighten the (4) M8 bolts on the stiffener back plate to 25 N-m (19 lbf-ft). as shown (Fig. 12-2) 1-4
- (f) Tighten the (2) M12 x 35 bolts to 80 N-m (60 lbf-ft) as shown. (Fig. 12-1) 1a-2a





**13. Reattach muffler and Fascia**

- (a) Reattach exhaust hanger on the passenger side of the vehicle (Fig. 13-1).
- (b) Remove the protective tape or cloth from exhaust tip.
- (c) With one person on each side of vehicle, snap fascia back into place.
- (d) Reinstall the 10mm bolt on the (RH) side of fascia (Fig. 2-3).
- (e) Reinstall the (2) Phillips head screws on each end of the fascia (Fig. 2-1).
- (f) Reinstall the (2) Phillips head screws under the fascia (Fig. 2-2).
- (g) Reinstall the (7) push pins in the fascia (Fig. 2-1).Reattach muffler
- (h) Remove the protective tape from the door and the quarter panels.


Checklist - these points **MUST** be checked to ensure a quality installation.

Check:

Look For:

Accessory Function Checks

Perform Visual check of Trailer Hitch

  Inspection torque (M12 bolts)

Inspection torque (M10 bolts)

Inspection torque (M8 bolts)

Hitch plug.

No Visible Gaps between mating parts or loose bolts.

60 +/- 12 lbf-ft (80 +/- 15 N-m).

37 +/- 7 lbf-ft (50 +/- 9 N-m).

19 +/- 3 lbf-ft (25 +/- 5 N-m).

Placed in glove box.

Vehicle Function Checks

N/A