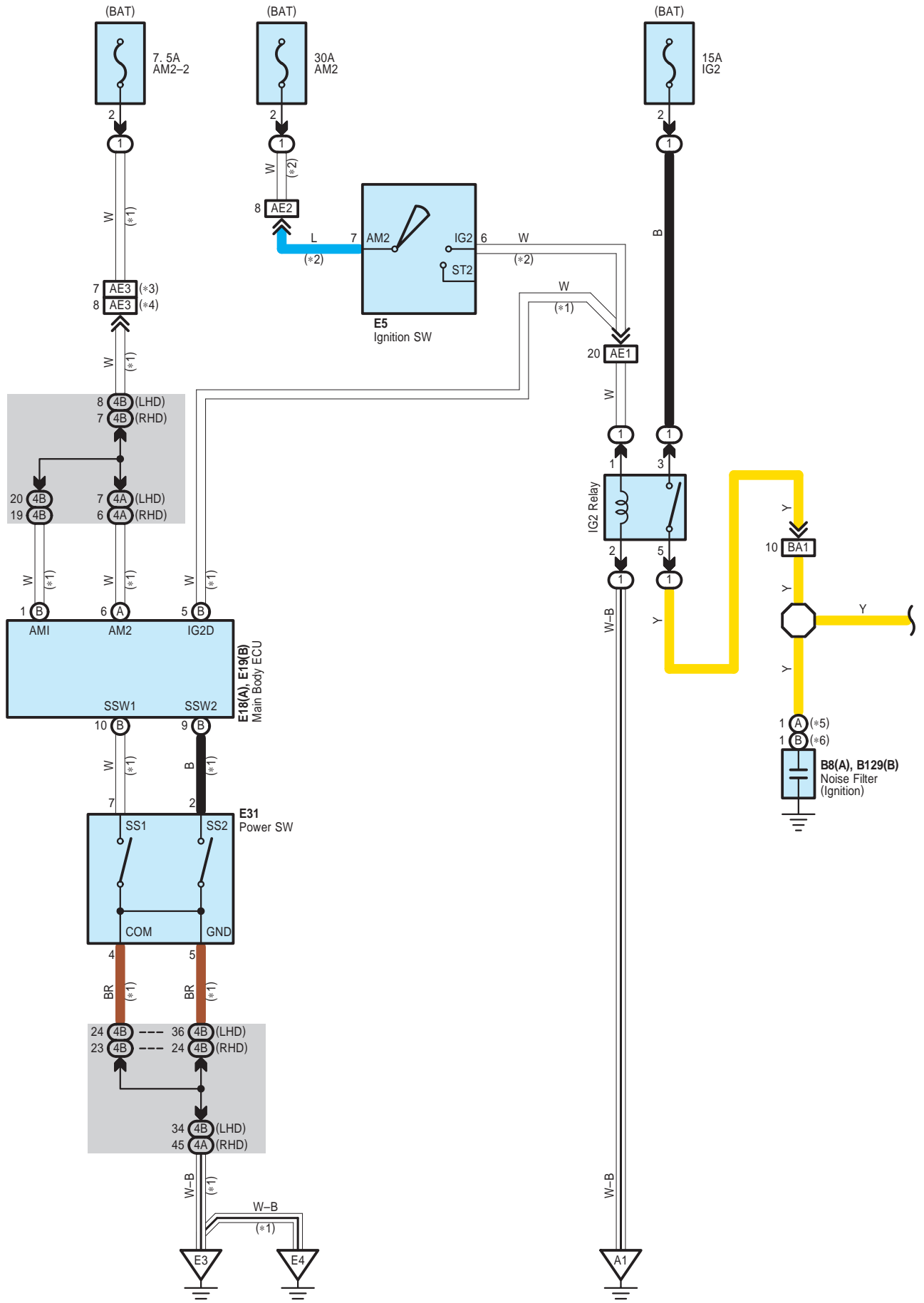
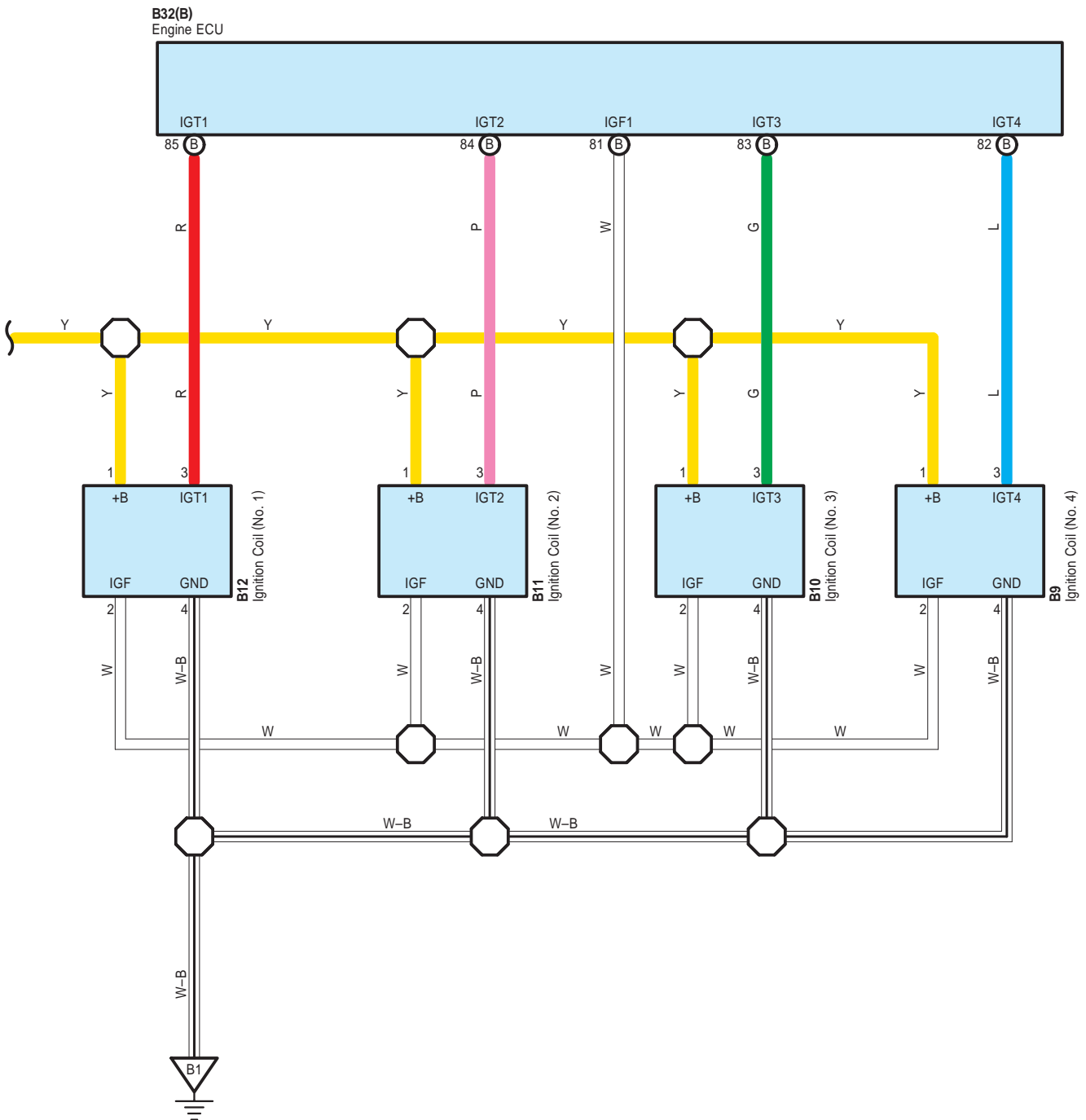


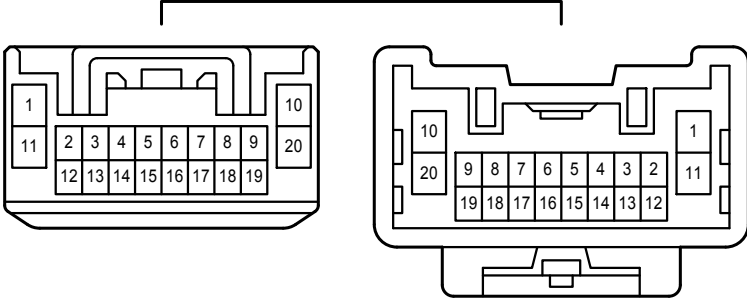
Ignition <2AZ-FE, 1AZ-FE>



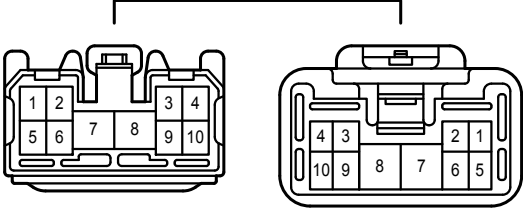
- * 1 : w/ Entry & Start System
- * 2 : w/o Entry & Start System
- * 3 : Before Dec. 2008 Production Europe
- * 4 : From Dec. 2008 Production Europe
- * 5 : Before Feb. 2010 Production
- * 6 : From Feb. 2010 Production



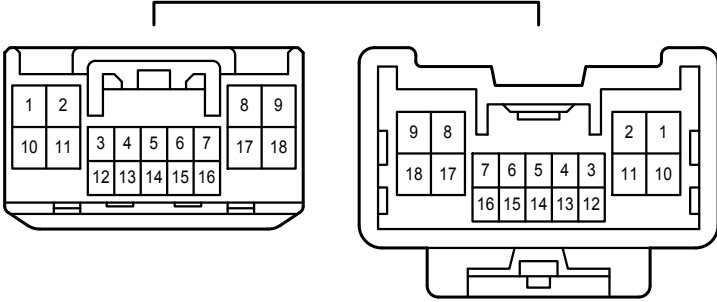
AE1
White



AE2
White



AE3
Black



BA1
White

