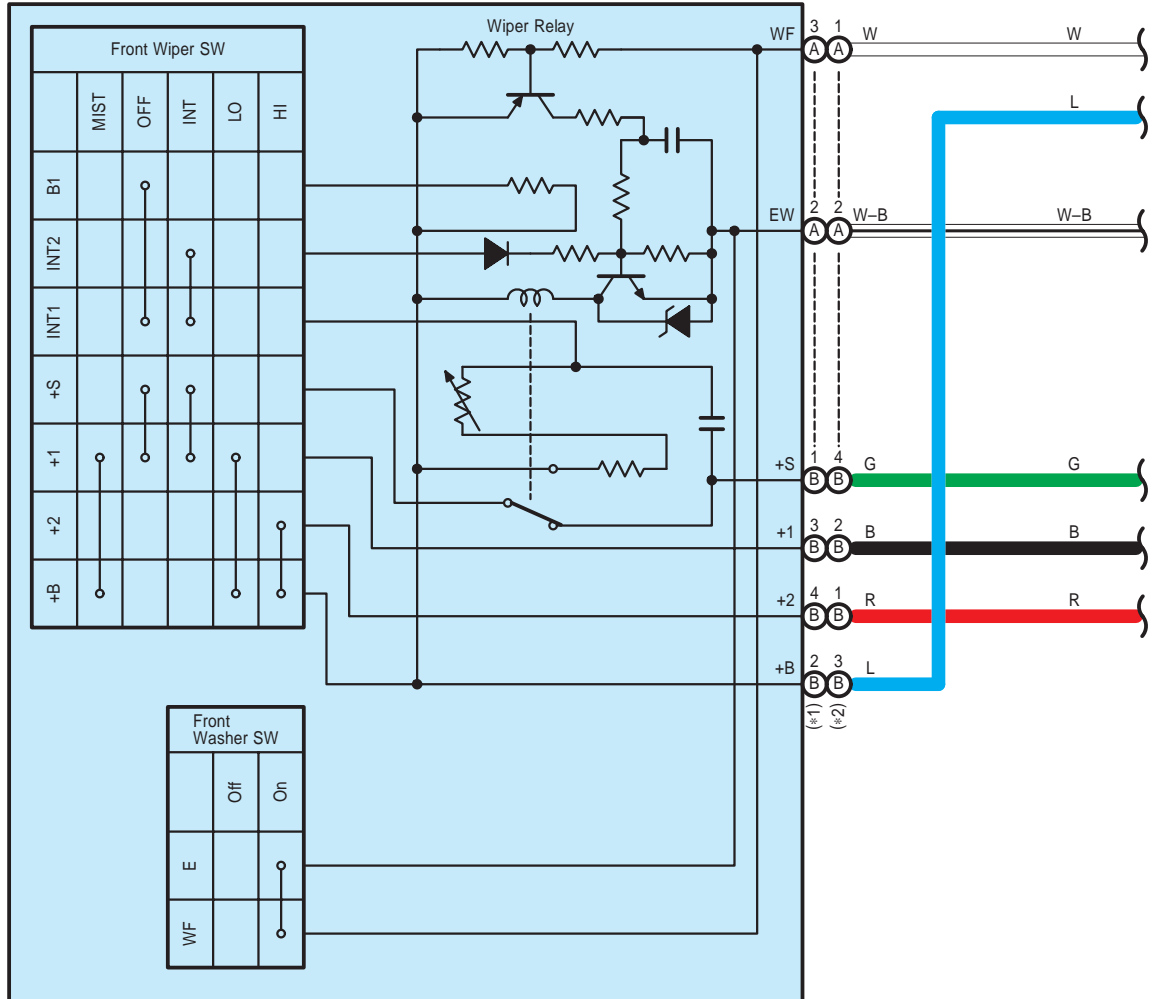
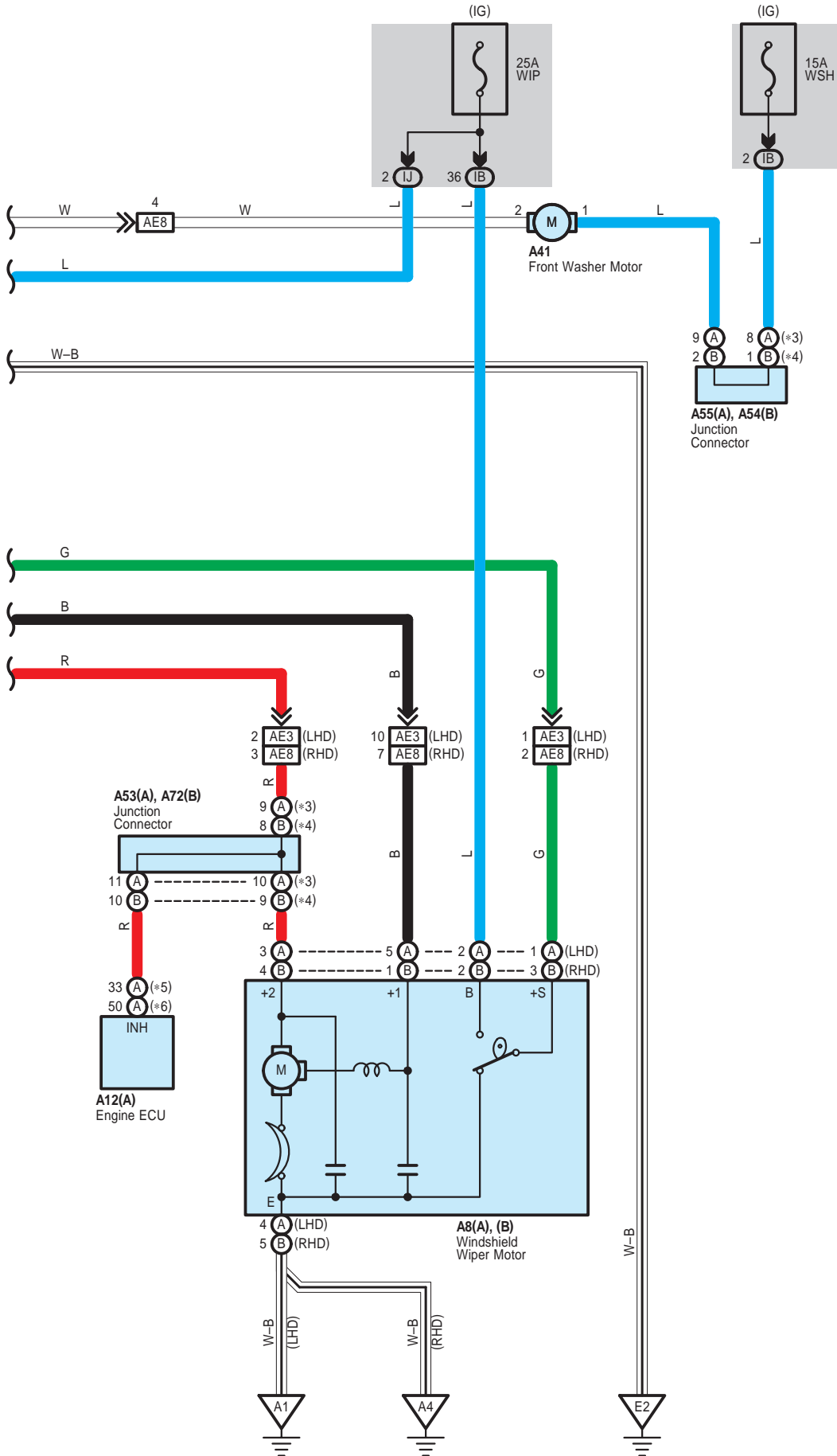


E12(A), E13(B)
Windshield Wiper SW Assembly



- * 1 : RH Wiper Lever Type
- * 2 : LH Wiper Lever Type
- * 3 : Before Aug. 2008 Production Except Europe, Before Dec. 2008 Production Europe
- * 4 : From Aug. 2008 Production Except Europe, From Dec. 2008 Production Europe
- * 5 : 3ZR-FAE
- * 6 : Except 3ZR-FAE

Front Wiper and Washer <w/o Auto Wiper System>



Front Wiper and Washer <w/o Auto Wiper System>

