



Hybrid Inverter User Manual

V1.3

CONTENTS

1. NOTES ON THIS MANUAL.....	3
1.1 SCOPE OF VALIDITY.....	3
1.2 TARGET GROUP.....	3
1.3 SYMBOLS USED.....	3
2. SAFETY.....	4
2.1 IMPORTANT SAFETY INSTRUCTIONS.....	4
2.2 EXPLANATION OF SYMBOL.....	8
3. INTRODUCTION.....	9
3.1 BASIC FEATURES.....	9
3.2 SYSTEM DIAGRAM.....	9
3.3 WORK MODES.....	12
3.4 DIMENSION.....	13
3.5 TERMINALS OF PV INVERTER.....	14
4. TECHNICAL PARAMETERS.....	16
4.1 INVERTER SPECIFICATION.....	16
5. INSTALLATION.....	18
5.1 CHECK FOR PHYSICAL DAMAGE.....	18
5.2 PACKING LIST.....	18
5.3 MOUNTING.....	18
6. ELECTRICAL CONNECTION.....	22
6.1 PV CONNECTION.....	22
6.2 GRID CONNECTION (GEN CONNECTION).....	23
6.3 BACK-UP:LOAD1 AND LOAD2 CONNECTION.....	24
6.4 BATTERY CONNECTION.....	26
6.5 WIFI CONNECTION (OPTIONAL).....	28
6.6 GPRS CONNECTION (OPTIONAL).....	28
6.7 CT INSTALLATION INSTRUCTIONS.....	29
6.8 E-STOP INSTALLATION.....	30
7. LCD OPERATION.....	31
7.1 CONTROL PANEL.....	31
7.2 INSTRUCTIONS FOR LED INDICATOR.....	31
7.3 INSTRUCTIONS FOR THE USE OF THREE MODES.....	32
8. LCD OPERATION.....	35
8.1 LCD INTERFACE.....	35
9. GENERATOR USE OPERATION GUIDE.....	59
9.1 GENERATOR USE DIAGRAM.....	59

9.2 GENERATOR OPERATION NOTES	61
9.3 GENERATOR SETTING	61
10. INVERTER PARALLEL GUIDE	63
10.1 PARALLEL SYSTEM DIAGRAM	63
10.2 PARALLEL COMMUNICATION CABLE CONNECTION	67
10.3 PARALLEL OPERATION NOTES	67
10.4 PARALLEL SYSTEM SETTING	68
11. ADVANCED MODE OPERATION GUIDE	69
11.1 ADVANCED MODE INTRODUCTION	69
11.2 ADVANCED MODE SETTING	70
12. FAULT DIAGNOSIS AND SOLUTIONS	72

1 Notes on this Manual

1.1 Scope of Validity

This manual is an integral part of Hybrid, it describes the assembly, installation, commissioning, maintenance, and failure type of the product. Please read it carefully before operating.

R5KLNA	R6KLNA	R7K6LNA	R8KLNA	R10KLNA
--------	--------	---------	--------	---------

Naming rules, For example: R7K6LNA

"7K6、5K" means "output power 7.6kw or 5kw" .

" L " means "Output single-phase

"NA" means "North America"

Store this manual where it will be always accessible.

1.2 Target Group

This manual is for qualified electricians. The tasks described in this manual only can be performed by qualified electricians.

1.3 Symbols Used

The following types of safety instructions and general information appear in this document as described below:



Danger!

"Danger" indicates a hazardous situation which, if not avoided, will result in death or serious injury.



Warning!

"Warning" indicates a hazardous situation which, if not avoided, could result in death or serious injury.



Caution!

"Caution" indicates a hazardous situation which, if not avoided, could result in minor or moderate injury.



Note!

"Note" provides tips that are valuable for the optimal operation of ours.

2 Safety

2.1 Important Safety Instructions



Danger!

- Danger to life due to high voltages in the inverter!
- All work must be carried out by qualified electrician.
- The appliance is not to be used by children or persons with reduced physical sensory or mental capabilities, or lack of experience and knowledge, unless they have been given supervision or instruction.
- Children should be supervised to ensure that they do not play with the appliance.



Caution!

- Danger of burn injuries due to hot enclosure parts!
- During operation, the upper lid of the enclosure and the enclosure body may become hot.
- Only touch the lower enclosure lid during operation.



Caution!

- Possible damage to health as a result of the effects of radiation!
- Do not stay closer than 20 cm to inverter for any length of time.



Note!

- Grounding the PV generator.
- Comply with the local requirements for grounding the PV modules and the PV generator. It is recommended connecting the generator frame and other electrically conductive surfaces in a manner which ensures continuous conduction and ground these in order to have optimal protection of system and persons.



Warning!

- Ensure input DC voltage \leq Max. DC voltage. Over voltage may cause damage.
- Permanent damage to inverter or other losses, which will not be included in warranty!



Warning!

- Authorized service personnel must disconnect both AC and DC power from inverter before attempting any maintenance or cleaning or working on any circuits connected to inverter.



Warning!

- Do not operate the inverter when the device is running.



Warning!

- Risk of electric shock!

- Please keep the user manual properly. When operating equipment, in addition to following the general precautions in this document, follow the specific safety instructions. We will not be liable for any consequence caused by the violation of the safety operation regulations and design, production, and usage standards.
- Accessories only together with the inverter shipment are recommended here. Other- wise may result in a risk of fire, electric shock, or injury to person.
- Make sure that existing wiring is in good condition and that wire is not undersized. Do not disassemble any parts of inverter which are not mentioned in installation guide. It contains no user-serviceable parts. See Warranty for instructions on obtaining service. Attempting to service the inverter yourself may result in a risk of electric shock or fire and will void your warranty.
- Keep away from flammable, explosive materials to avoid fire disaster.
- The installation place should be away from humid or corrosive substance.
- Authorized service personnel must use insulated tools when installing or working with this equipment.
- Never touch either the positive or negative pole of PV connecting device. Strictly prohibit touching both at the same time.
- The unit contains capacitors that remain charged to a potentially lethal voltage after the MAINS, battery and PV supply has been disconnected.
- Hazardous voltage will present for up to 5 minutes after disconnection from power supply.
- CAUTION-RISK of electric shock from energy stored in capacitor, never operate on the inverter couplers, the MAINS cables, Battery cables, PV cables or the PV generator when power is applied. After switching off the PV, battery, and Mains, always wait for 5minutes to let the intermediate circuit capacitors discharge before unplugging DC, battery in plug and MAINS couplers.

-
- When accessing the internal circuit of inverter, it is very important to wait 5 minutes before operating the power circuit or demounting the electrolyte capacitors inside the device. Do not open the device beforehand since the capacitors require time sufficiently discharge!
 - Surge protection devices (SPDs) for PV installation



WARNING !

- Over-voltage protection with surge arresters should be provided when the PV power system is installed.
- The grid connected inverter is not fitted with SPDs in both PV input side and MAINS side.

- Lightning will cause a damage either from a direct strike or from surges due to a nearby strike.
- Induced surges are the most likely cause of lightning damage in majority or installations, especially in rural areas where electricity is usually provided by long overhead lines. Surge may be included on both the PV array conduction and the AC cables leading to the building.
- Specialists in lightning protection should be consulted during the end use application. Using appropriate external lightning protection, the effect of a direct lightning strike into a building can be mitigated in a controlled way, and the lightning current can be discharged into the ground.
- Installation of SPDs to protect the inverter against mechanical damage and excessive stress include a surge arrester in case of a building with external lightning protection system (LPS) when separation distance is kept.
- To protect the DC system, surge suppression device (SPD type2) should be fitted at the inverter end of the DC cabling and at the array located between the inverter and the PV generator, if the voltage protection level (VP) of the surge arresters is greater than 1100V, an additional SPD type 3 required for surge protection for electrical devices.
- To protect the AC system, surge suppression devices (SPD type2) should be fitted at the main incoming point of AC supply (at the consumers cutout), located between the inverter and the meter/distribution system;
- All DC cables should be installed to provide as short a run as possible, and positive and negative cables of the string or main DC supply should be bundled together. Avoiding the creation of loops in the system.
- Spark gap devices are not suitable to be used in DC circuits once conducting, they won't stop conducting until the voltage across their terminals is typically

more than 30 volts.

➤ Anti-Islanding Effect

Islanding effect is a special phenomenon that grid-connected PV system still supply power to the nearby grid when the voltage loss is happened in the power system. It is dangerous for maintenance personnel and the public.

Hybrid series inverter provide Active Frequency Drift (AFD) to prevent islanding effect.

➤ PE Connection and Leakage Current

•The end-use application shall monitor the protective conductor by residual current operated protective device (RCD) with rated fault current $I_{fn} \leq 240\text{mA}$ which automatically disconnects the device in case of a fault.

The device is intended to connect to a PV generator with a capacitance limit of approx. 700nf.



WARNING !

- High leakage current!
- Earth connection essential before connecting supply.

Incorrect grounding can cause physical injury, death or equipment malfunction and increase electromagnetic.

➤ Battery Safety Instructions

Hybrid Series inverter should be worked with low voltage battery, for the specific parameters such as battery type, nominal voltage and nominal capacity etc., please refer to section 4.3.












As accumulator batteries may contain potential electric shock and short-circuit current danger, to avoid accidents that might be thus resulted, the following warnings should be observed during battery replacement:

- 1: Do not wear watches, rings or similar metallic items.
- 2: Use insulated tools.
- 3: Put on rubber shoes and gloves.
- 4: Do not place metallic tools and similar metallic parts on the batteries.
- 5: Switch offload connected to the batteries before dismantling battery connection terminals.
- 6: Only personal with proper expertise can carry out the maintenance of accumulator batteries.

2.2 Explanation of Symbol

This section gives an explanation of all the symbols shown on the inverter and on the type label.

Symbols on the Type Label

	UL certified
	This symbol indicates that you should wait at least 5mins after disconnecting the inverter from the utility grid and from the PV panel before touching any inner live parts.
	Keep dry! The package/product must be protected from excessive humidity and must be stored under cover.
	Refer to the operating instructions.
	Fragile - The package/product should be handled carefully and never be tipped over or slung.
	Products should not be disposed as household waste.
	No more than six(6) identical packages being stacked on each other
	Components of the product can be recycled.
	Danger of hot surface!
	Danger of high voltage and electric shock!
	Caution! Failure to observe a warning indicated in this manual may result in injury

3. Introduction

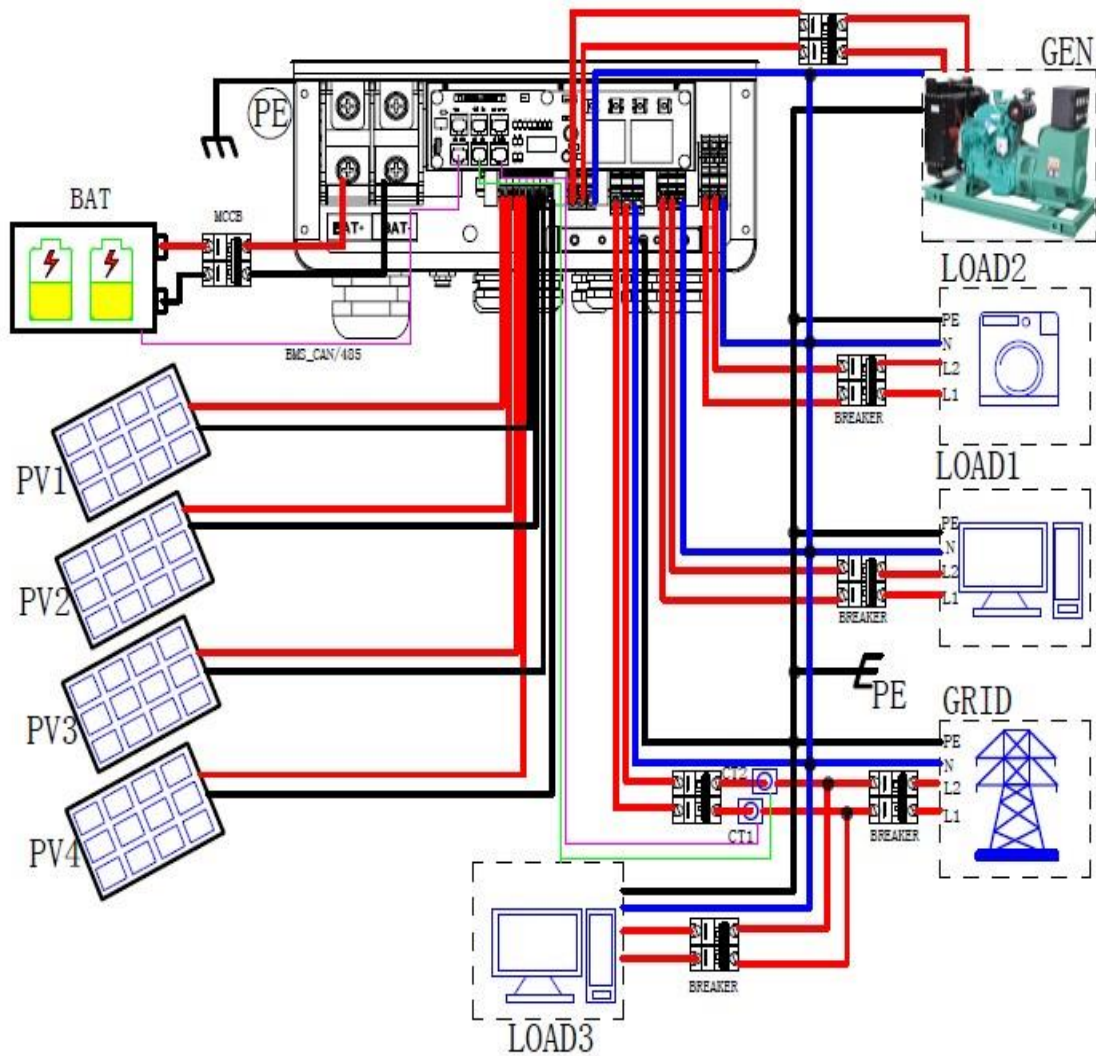
3.1 Basic features

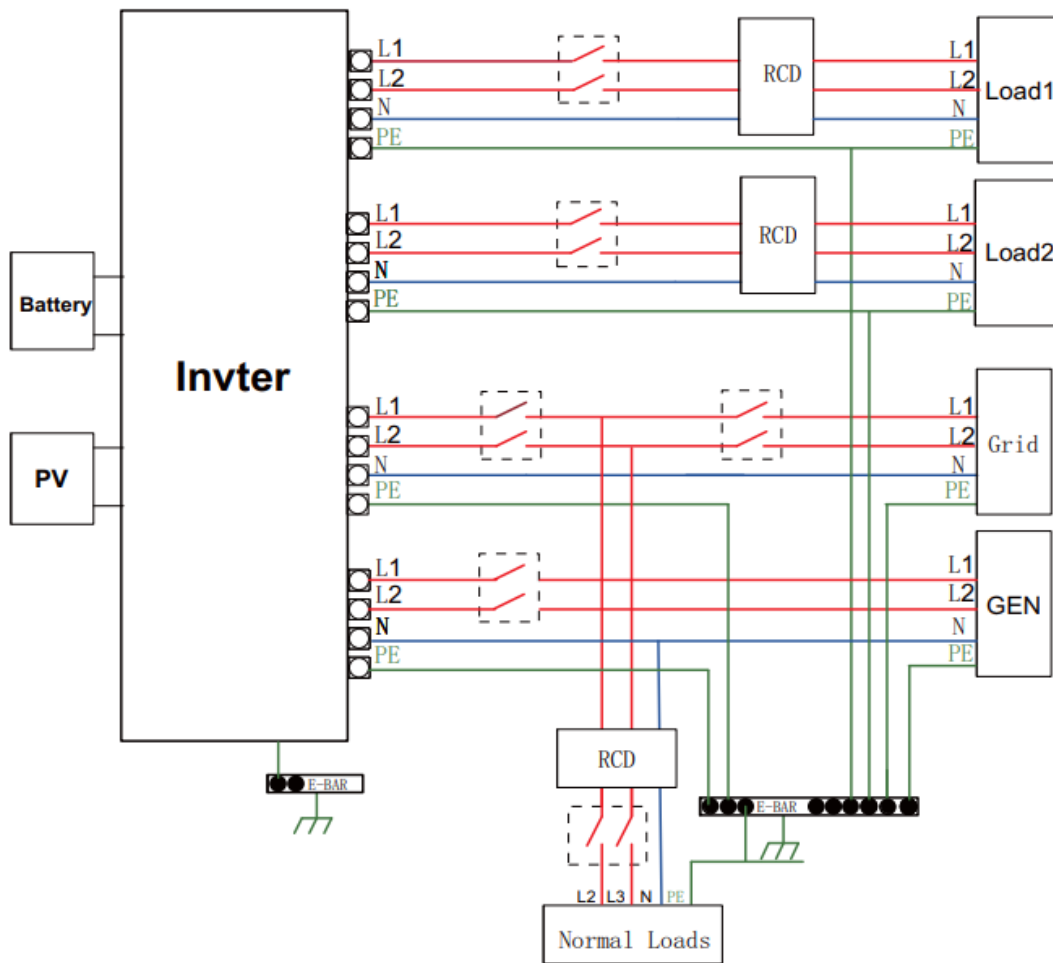
Hybrid Series is a high-quality inverter which can convert solar energy to AC energy and store energy into battery.

The inverter can be used to optimize self-consumption, store in the battery for future use or feed in to public grid. Work mode depends on PV energy and user' s preference. It can provide power for emergency use during the grid lost by using the energy from battery and inverter (generated from PV).


3.2 System Diagram

Hybrid Series is designed with two BACK-UP versions for customer to choose based on the local rules. The applies to the wiring rules that requires Neutral line of alternative supply must NOT be isolated or switched.



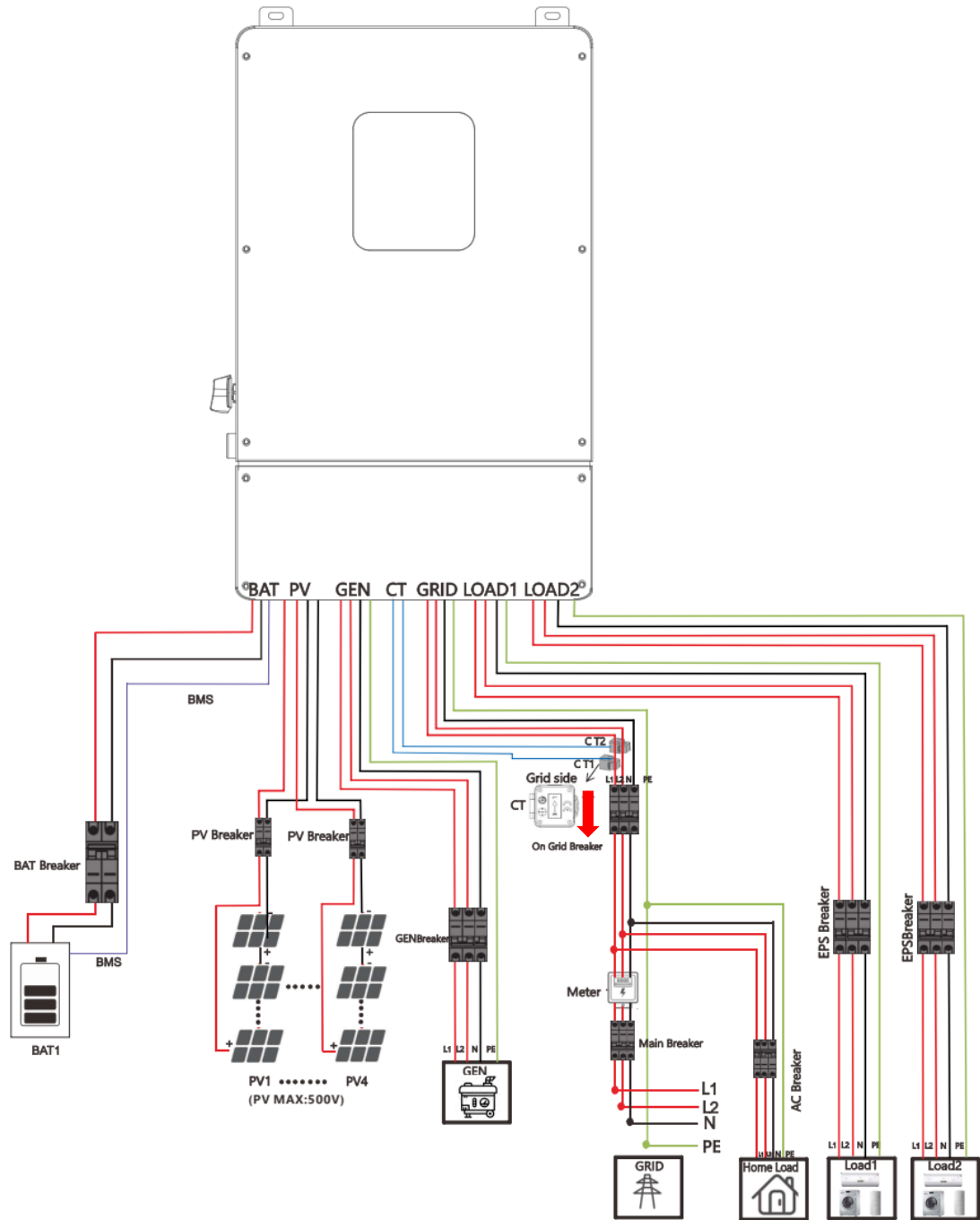



All switches and RCD devices in the figure are for reference only, and the specific installation shall be subject to local regulations.



Note!

- Please control the home loads, and make sure it' s within the "BACK-UP output rating" under BACK-UP mode, otherwise the inverter will shut down with an "overload fault" warning.
- Please confirm with the mains grid operator whether there is any special regulations for grid connection.



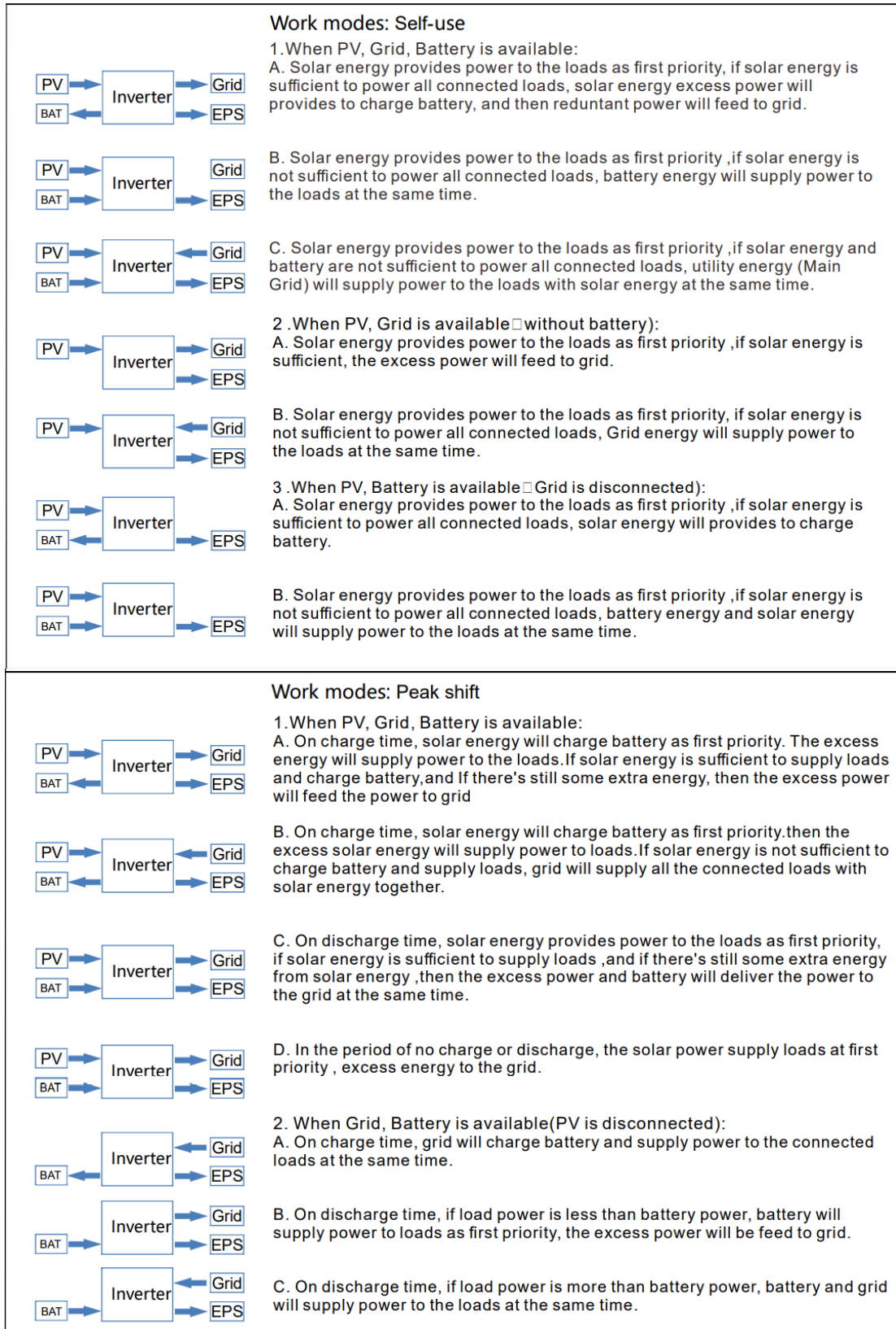


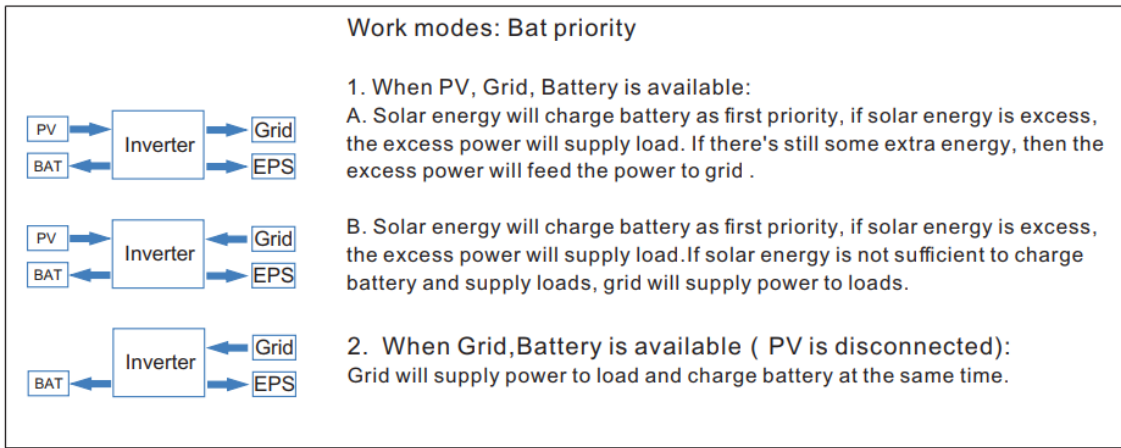
Note!

- The arrow on the CT points to the power grid, as shown.
- If the CT connector is improperly connected, the inverter cannot read the data correctly, so that the relevant working conditions cannot be realized normally.


3.3 Work Modes

Inverter provides multiple work modes based on different requirements.





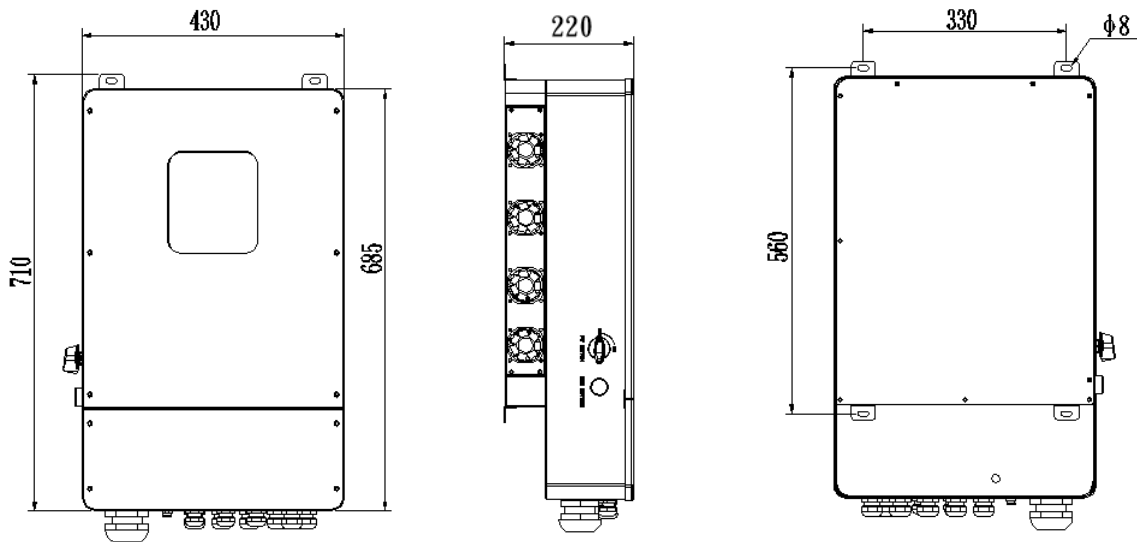
Note!



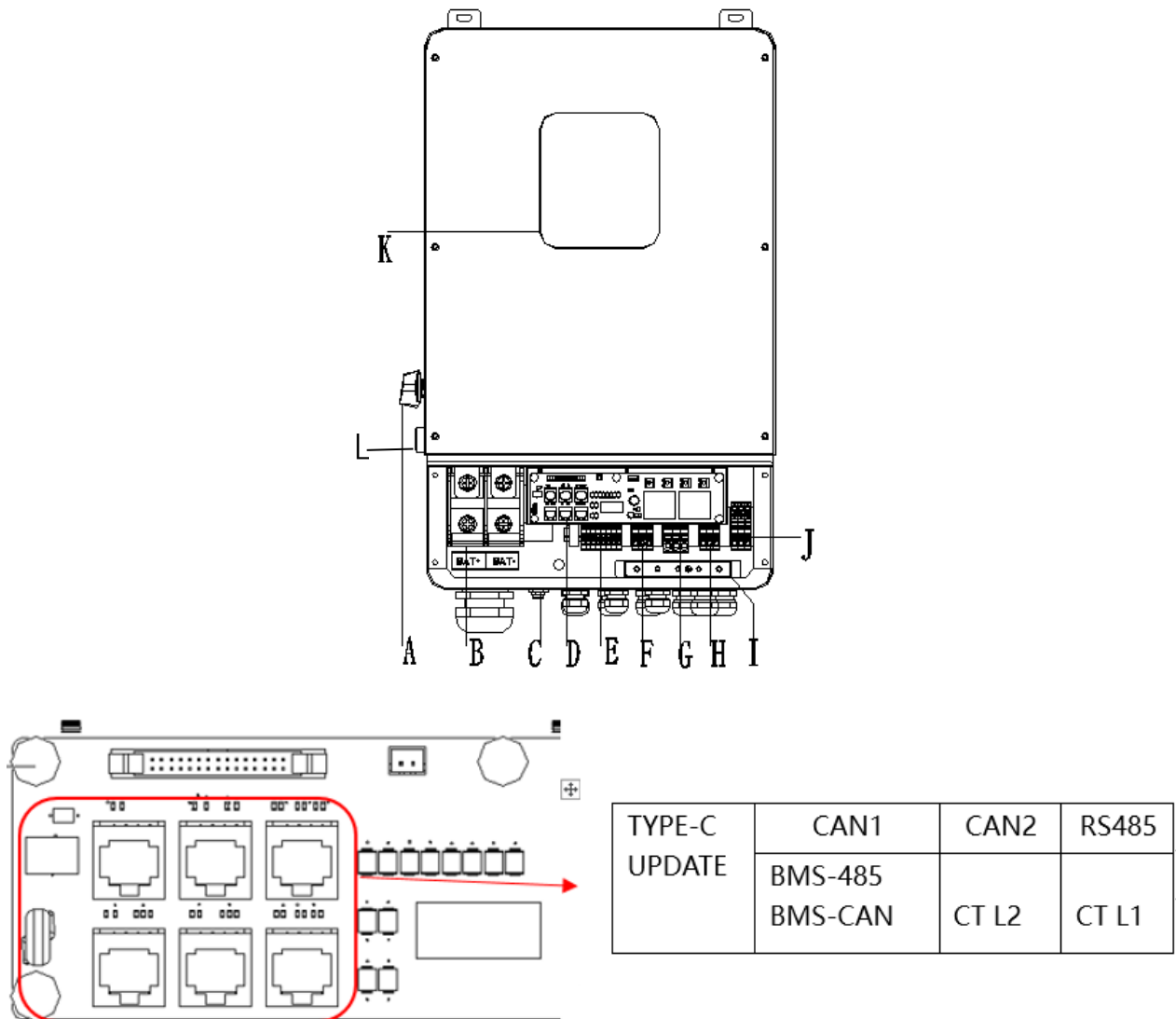
If set anti-Reverse function allowable, Once on the work mode of Self-use, Peak shift, battery priority, the system will not feed power to grid.

In addition to the above three basic modes, there is also an “Advanced Mode” . Please refer to Chapter 11 for details.

3.4 Dimension



3.5 Terminals of PV inverter



CAN1/CAN2: Communication interface for connecting inverters.

RS485: Read the internal data of inverter.

BMS-485/ BMS-CAN: BMS communication for lithium batteries.

CT L1/CT L2: For external grid side CT to detect current size.

TYPE-C UPDATE: Update machine software locally on PC via USB-A port.

Object	Description
A	DC switch
B	BAT input
C	Wi-Fi
D	CAN1/CAN2/RS485/BMS485,BMSCAN/CTL1/CTL2/Type-c upgrade
E	PV1~PV4 input
F	Generator
G	Grid
H	BACK-UP1 output
I	PE
J	BACK-UP2 output
K	LCD
L	RSD button



WARNING !
Qualified electrician will be required for the installation.

4. Technical Parameters

4.1 Inverter specification

Technical Data	R5KLNA	R6KLNA	R7K6LNA	R8KLNA	R10KLNA
PV Input Data					
MAX.DC Input Power	7.5kW	9kw	12kw	12KW	15kW
NO.MPPT Tracker	4				
MPPT Range	120 – 500V				
MAX.DC Input Voltage	500V				
MAX.Input Current	12A				
Battery Input Data					
Nominal voltage (Vdc)	48V	48V	48V	48V	48V
MAX.Charging/Discharging Current	120A/120A	135A/135A	190A/190A	190A/190A	210A/210A
Battery Voltage Range	40–60V				
Battery Type	Lithium and Lead Acid Battery				
Charging Strategy for Li-Ion Battery	Self-adaption to BMS				
AC Output Data(On-Grid)					
Nominal output power Output to Grid	5kVA	6kVA	7.6kVA	8kVA	10kVA
MAX. Apparent Power Output to Grid	5.5kVA	6.6kVA	8.4kVA	8.8kVA	11kVA
Output Voltage Range	110–120/220–240V split phase, 1Ø, 230 1 phase				
Output Frequency	50/60Hz (45 to 54.9Hz / 55 to 65Hz)				
Nominal AC Current Output to Grid	20.8A	25A	31.7A	33.3A	41.7A
Max.AC Current Output to Grid	22.9A	27.5A	35A	36.7A	45.8A
Output Power Factor	0.8leading···0.8lagging				
OutPut THDI	< 2%				
AC Output Data(Back-Up)					
Nominal. Apparent Power Output	5kVA	6kVA	7.6kVA	8kVA	10kVA
MAX. Apparent Power Output	5.5kVA	6.6kVA	8.4kVA	8.8kVA	11kVA
Nominal Output Voltage L–N/L1–L2	120/240V				
Nominal Output Frequency	60Hz				
Output THDU	< 2%				
Efficiency					
Europe Efficiency	≥97.8%				
MAX. Battery to Load Efficiency	≥97.2%				
Protection					
Grounding detection	YES				
Arc Fault Protection	YES				
Island Protection	YES				
Battery reverse Polarity	YES				

Insulation Resistor Detection	YES
Residual Current Monitoring Unit	YES
Output Over Current Protection	YES
Back-up Output Short Protection	YES
Terminal temperature detection	YES
Output Over Voltage Protection	YES
Output Under Voltage Protection	YES
General Data	
Output Conduit	25.4mm
PV Input Conduit	25.4mm
BAT Input Conduit	34.5mm
Operating Temperature Range	-25 ~ +60°C
Relative Humidity	0-95%
Operating Altitude	0~4000m
Ingress Protection	IP65/NEMA 3R
Weight	41kg
Size (Width*Height*Depth)	430mm x 710mm x 225mm
Cooling	Natural Convection
Noise emission	<38dB
Display	LCD
Communication With BMS/Meter/EMS	RS485, CAN
Supported communication interface	RS485, WLAN, 4G (optional)
Self-consumption at night	< 2.5 W (with battery enabling < 5 W)
Safety	UL1741SA all options, UL1699B, CSA 22.2
EMC	FCC Part 15 Class
Grid connection standards	IEEE 1547, IEEE 2030.5, Hawaii Rule 14H, Rule 21 Phase I,II,III

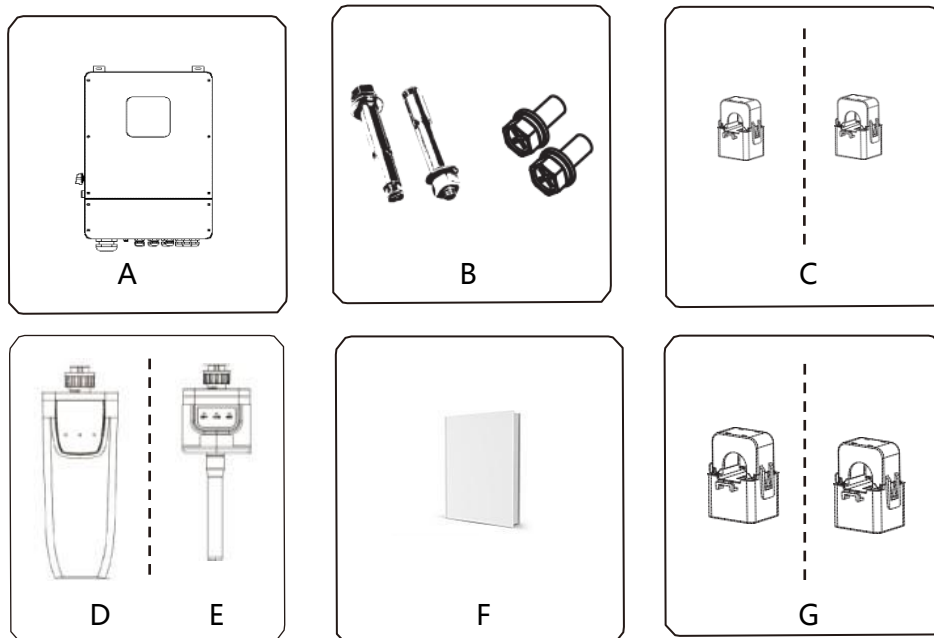
5. Installation

5.1 Check for Physical Damage

Make sure the inverter is intact during transportation. If there is any visible damage, such as cracks, please contact your dealer immediately.

5.2 Packing List

Open the package and take out the product, please check the accessories first. The packing list shown as below.



Object	Description
A	Inverter
B	Expansion screws and pan-head screws
C	CT(inner radius 16mm)
D	GPRS module (optional)
E	WiFi module (optional)
F	User manual
G	CT (inner radius 35mm/optional)

5.3 Mounting

- Installation Precaution
Inverter is designed for outdoor installation (IP 65). Make sure the installation

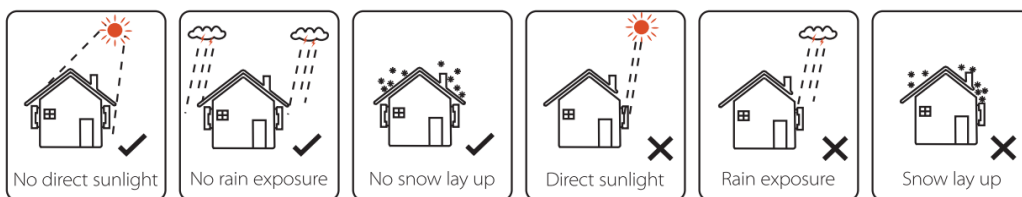
site meets the following conditions:

- ◆ Not in direct sunlight.
- ◆ Not in areas where highly Flammable materials are stored.
- ◆ Not in potential explosive areas.
- ◆ Not in the cool air directly.
- ◆ Not near the television antenna or antenna cable.
- ◆ Not higher than altitude of about 2000m above sea level.
- ◆ Not in environment of precipitation or humidity (> 95%).
- ◆ Under good ventilation condition.
- ◆ The ambient temperature in the range of -20°C to +60°C.
- ◆ The slope of the wall should be within $\pm 5^\circ$.
- ◆ The wall hanging the inverter should meet conditions below:

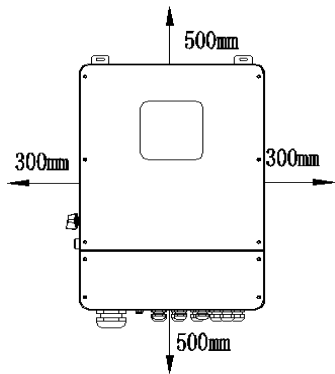
1.solid brick/concrete, or strength equivalent mounting surface;

2.Inverter must be supported or strengthened if the wall' s strength isn' t enough(such as wooden wall, the wall covered by thick layer of decoration)

Please AVOIDE direct sunlight, rain exposure, snow laying up during installation and operation.



➤ **Space Requirement**



Position	Min. size
Left	300mm
Right	300mm
Top	500mm
Bottom	500mm
Front	1000mm

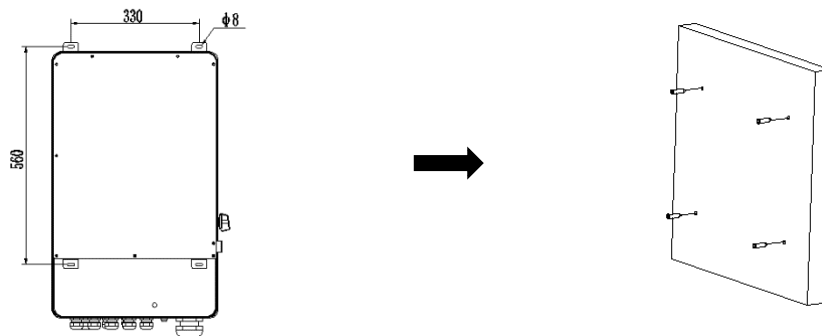
➤ **Mounting**

Tools required for installation.

Installation tools : crimping pliers for binding post and RJ45, screwdriver, manual wrench etc

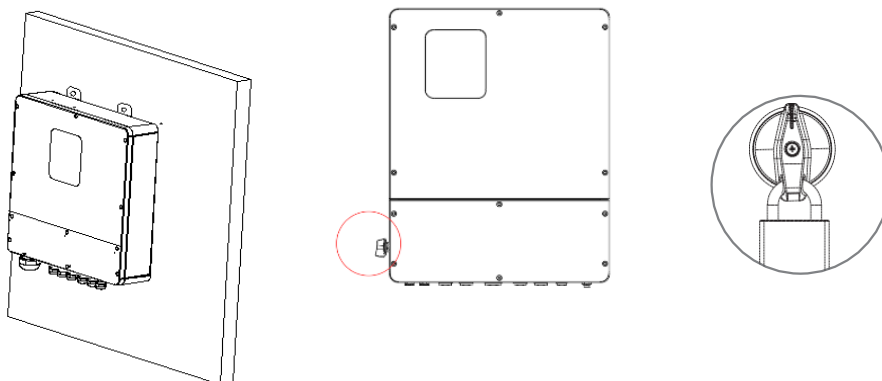


Step 1: Drill 4 holes in the wall according to the following distance dimensions, 50~60mm depth. Then use a proper hammer to fit the expansion bolt into the holes.

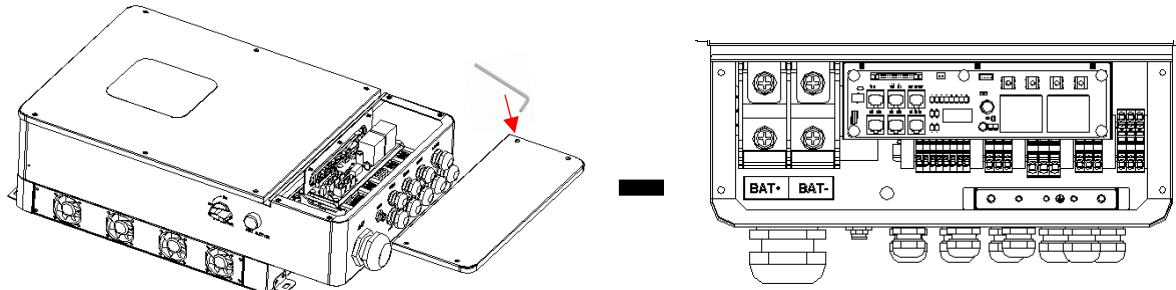


Step 2: Lift up the inverter and align the hole of the inverter with the expansion bolt, Fix the inverter on the wall.

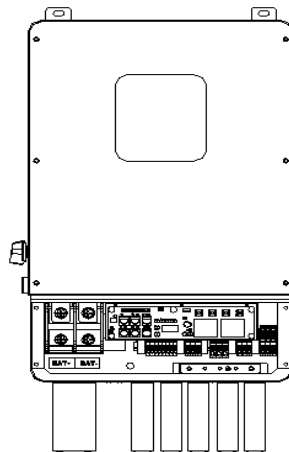
Step 3: Tighten the nut of expansion bolt, and install an anti-theft lock on DC switch of the inverter



Step 4: Remove the cover screws by Allen Wrench and remove the cover. Remove the waterproof cover by a flat blade screwdriver. Wiring box conduit plugs, Conduit plugs are provided for 1 inch conduit fittings. If used conduit fitting is not 1 inch, an appropriate conduit adaptor should be used.



Step 5: Pass the corresponding conduit and fasten the joint.



6. Electrical Connection

6.1 PV connection

Hybrid can be connected in series with 4-strings PV modules for 5kW, 6kW, 7.6kW, 8kW, 10kW. Select PV modules with excellent function and reliable quality. Open-circuit voltage of module arrays connected in series should be less than Max. DC input voltage; operating voltage should be conformed to MPPT voltage range.



Warning!

- PV module voltage is very high, which already achieve dangerous voltage range, please comply with electric safety rules when connecting.
- Please do not make PV positive or negative ground !

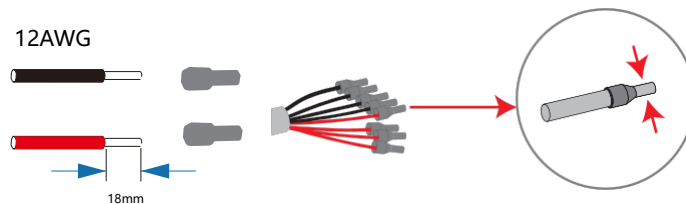


Note!

- The following requirements of PV modules need to be applied for each input area;
- Please do not make PV positive or negative ground!
- In order to save cable and reduce the DC loss, we suggest to install the inverter near PV modules.

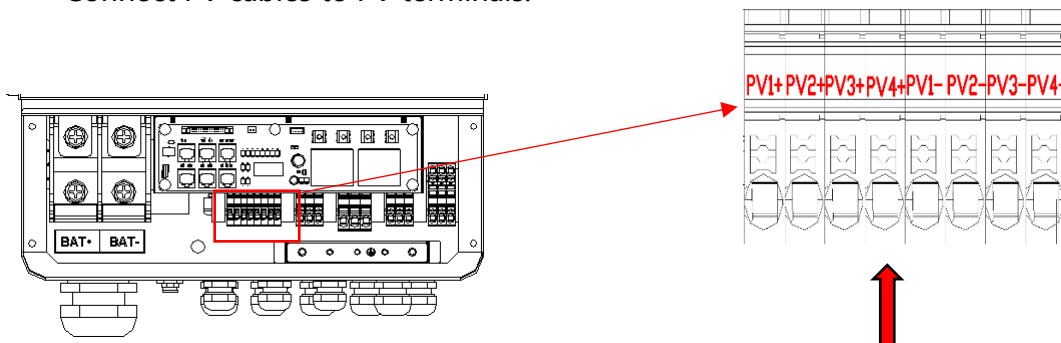
Step1. Wiring.

- 1.1 Choose the 12 AWG wire to connect with the cold-pressed terminal.
- 1.2 Remove 18mm of insulation from the end of wire.



Step2. Cross the PV cables athrough the PV port, Connect PV cables to PV terminals.

Connect PV cables to PV terminals.



6.2 Grid Connection (GEN connection)

Step1. Check the grid voltage.

- 1.1 Check the grid voltage and compare with the permissive voltage range (Please refer to technical data).
- 1.2 Disconnect the circuit board from all the phases and secure against re-connection.

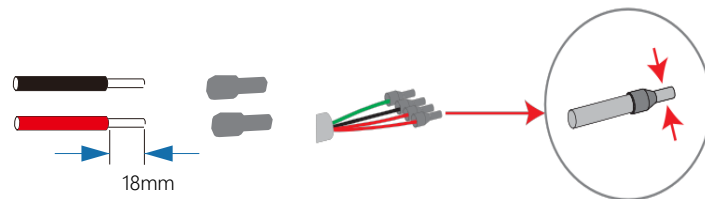
Step2. Grid cables choose

Use the right pin terminal from the accessory box. Press the connectors on cable conductor core tightly.

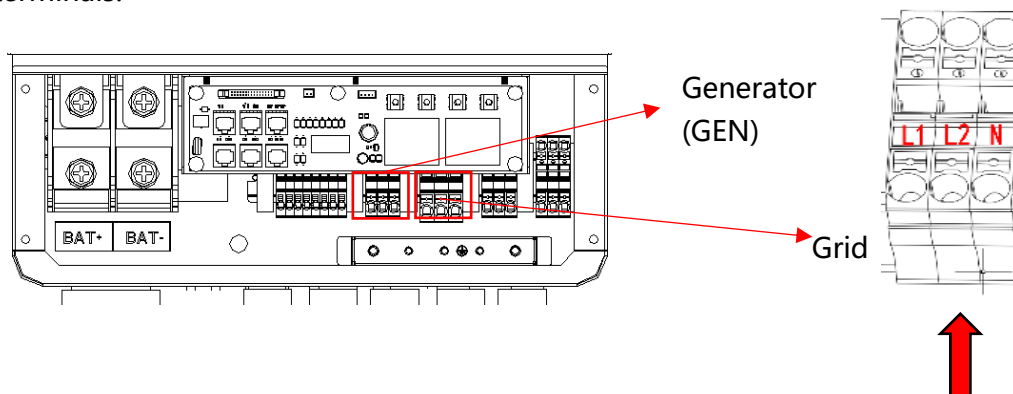
Model	R5KLNA	R6KLNA	R7K6LNA	R8KLNA	R10KLNA
Cable	12AWG		10AWG		8AWG

Step3. Choose the wire to connect with the cold-pressed terminal.

(Remove 18mm of insulation from the end of wire.)



Step4. Cross the Grid cables although the grid port, Connect Grid cables to Grid terminals.



6.3 Back-up: Load1 and Load2 Connection

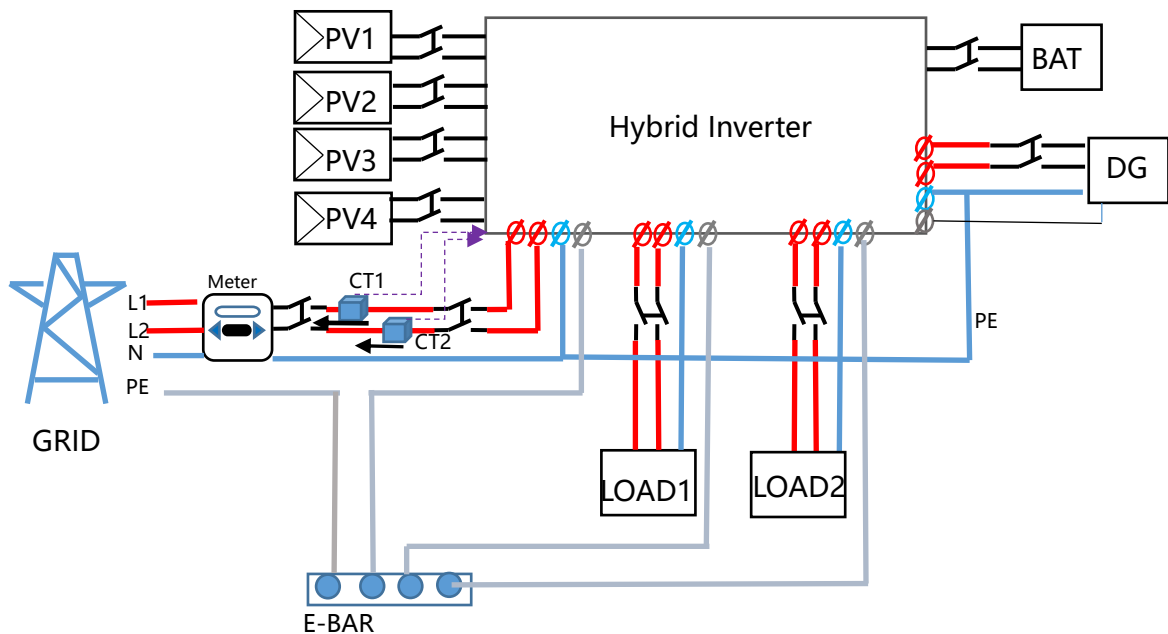
Inverter has On and Off grid function, the inverter will deliver output power through AC port when the grid is on, and it will deliver output power through back-up port when the the grid is off.

- Auto & Manual
BACK-UP function can be achieved automatically or manually according to user' s wishes. BACK-UP function can only be triggered automatically.
- Load1 port: important load.
Load2 port: When the battery is not sufficient, the load on this interface will power down

1). For inverter, the standard PV installation typically consists of the connection of the inverter with both panels and batteries. In case of systems not connected to the batteries, the Back-Up function is strongly not advised to use. It shall not cover the standard warranty and be liable for any consequences arising from users not following this instruction.

2). Hybrid inverters are able to supply over load output at its "Back-Up" . For details, please refer to the technical parameters of inverter. And the inverter has self-protection dreading at high ambient temperature.

3). For complicated application, or Special load , please contact after-sales.





Note!

In case of discrepancies between wiring mode of local policy and the operation guide above, especially for the wiring of neutral line, grounding and RCD, please contact us before any operation!

➤ Back-Up: Load1 and Load2 Connection:

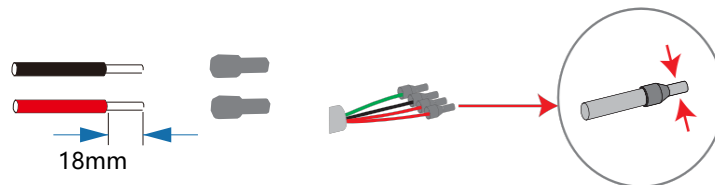
When using the off-grid function, please add off grid AC breaker in off grid output cable to ensure safety.

Model	R5KLNA	R6KLNA	R7K6LNA	R8KLNA	R10KLNA
Micro-breaker	32A		40A		63A

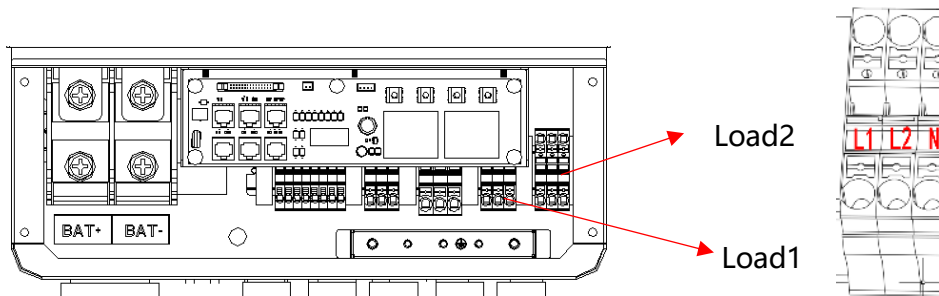
Note: The absence of AC breaker on back-up side will lead to inverter damage if an electrical short circuit happens on back-up side.

Step1. Make BACK-UP wires.

Model	R5KLNA	R6KLNA	R7K6LNA	R8KLNA	R10KLNA
Cable	12AWG		10AWG		8AWG




Step2. Connect the cables to the BACK-UP: Load1 and Load2 port of the inverter.



Inside the inverter, load2 is connected to load1 through a relay, and the relay disconnect when the SOC of battery is lower than set value. At this time, the load2 is powered off and load1 is still powered on. (The total power of Load1 plus Load2 should not more than the rated BACK-UP power when GRID is off)

➤ **Requirements for BACK-UP load**

Warning!



- Make sure the BACK-UP load power rating is within BACK-UP output rating, otherwise the inverter will shut down with an “over load” warning.
- When an “over load” is appeared, adjust the load power to make sure it is within the BACK-UP output power range, then turn the inverter back on.
- For the nonlinear load, please make sure the inrush power should be within the BACK- UP output power range.

6.4 Battery Connection

Charging & discharging system of Hybrid series inverter is designed for 48V lithium battery.

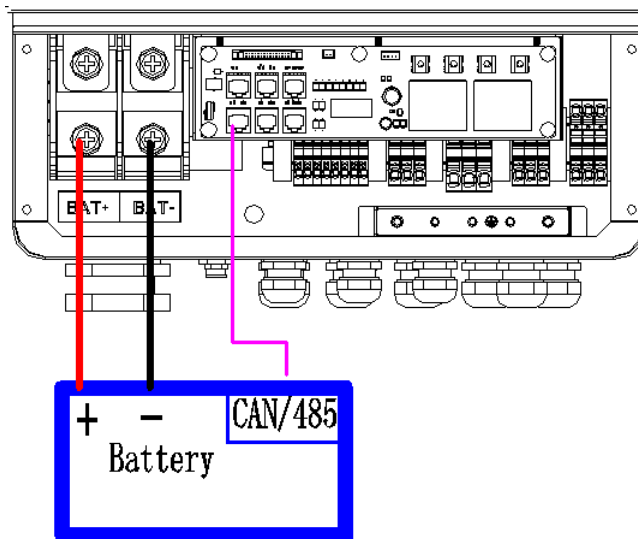
Before choosing battery, please note the maximum voltage of battery cannot exceed 60V and the battery communication should be compatible with Hybrid inverter.

➤ **Battery breaker**

Before connecting to battery, please install a no-polarized DC breaker to make sure inverter can be securely disconnected during maintenance.

Model	R5KLNA	R6KLNA	R7K6LNA	R8KLNA	R10KLNA
Current[A]	160A		250A		300A

➤ **Battery connection diagram**



➤ **BMS PIN Definition**

Communication interface between inverter and battery is RS485 or CAN with a RJ45 connector.

	PIN	1	2	3	4	5	6	7	8	
1										
8	CAN	Definition	X	X	X	BMS_CANH	BMS_CANL	X	X	X
	RS485	Definition	X	X	X	X	X	GND	BMS_485A	BMS_485B

When using RS485 protocol, please note that PIN2 must be disconnected!

Note!



The battery communication can only work when the battery BMS is compatible with the inverter.

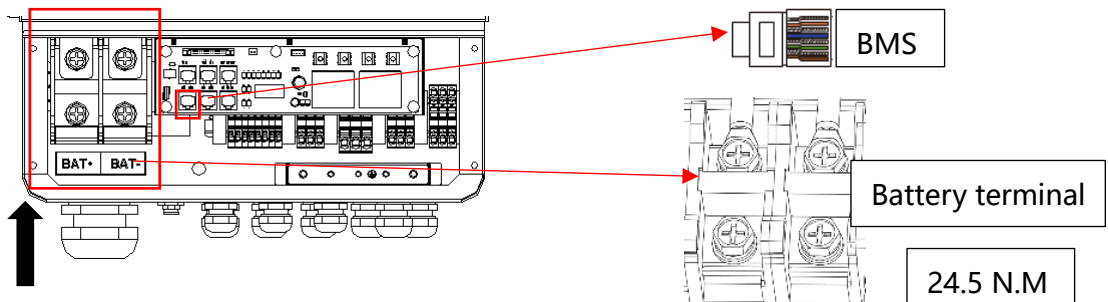
➤ **Power Connection Battery:**

Step1

Choose the 1 AWG wire and strip the cable to 15mm. Select two O-terminals with an aperture of M10. Insert the stripping line into the O-terminal and clamp it with a crimping clamp.



Step2. Cross the battery cable through the battery port. Connect battery cable to battery terminal



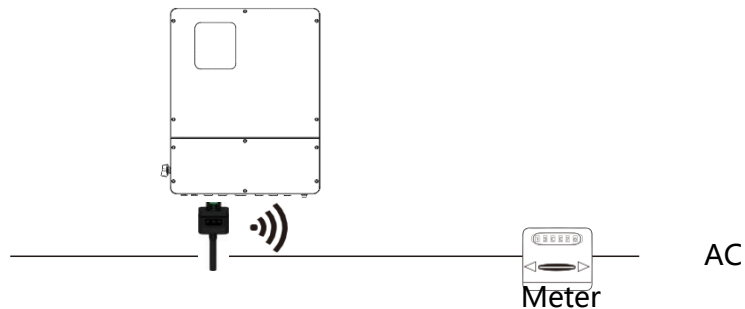
Note!

Positive and negative wires are not allowed to reverse.

6.5 WIFI Connection (optional)

Inverter provides a WIFI port which can collect data from inverter and transmit it to monitoring-website by WIFI. (Purchase the product from supplier if needed)

1) Diagram



2)Wi-Fi Connection:

Step1. Plug Wi-Fi into "Wi-Fi" port at the bottom of the inverter.

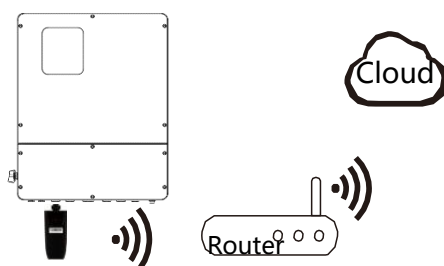
Step2. Build the connection between the inverter and router.

Step3. Create a user account online. (Please check the Wi-Fi user manual for more details).

6.6 GPRS Connection (optional)

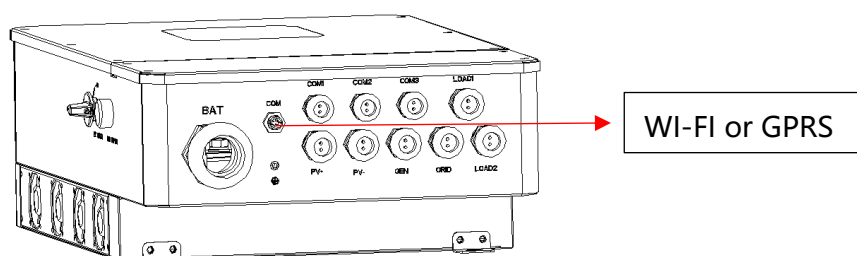
Hybrid inverter provides a GPRS (radio frequency) interface which control the switch time of a designated load via an external Smart Plug (purchase the product from supplier if needed.) so that the load mostly consumes PV energy and incurs the lowest-possible energy costs during operation.

1)Diagram



2)GPRS Connection :


Please refer to the Smart Plug user manual for detailed connection



6.7 CT Installation instructions

CT is short for "current transform" ,is used to detect Grid current .

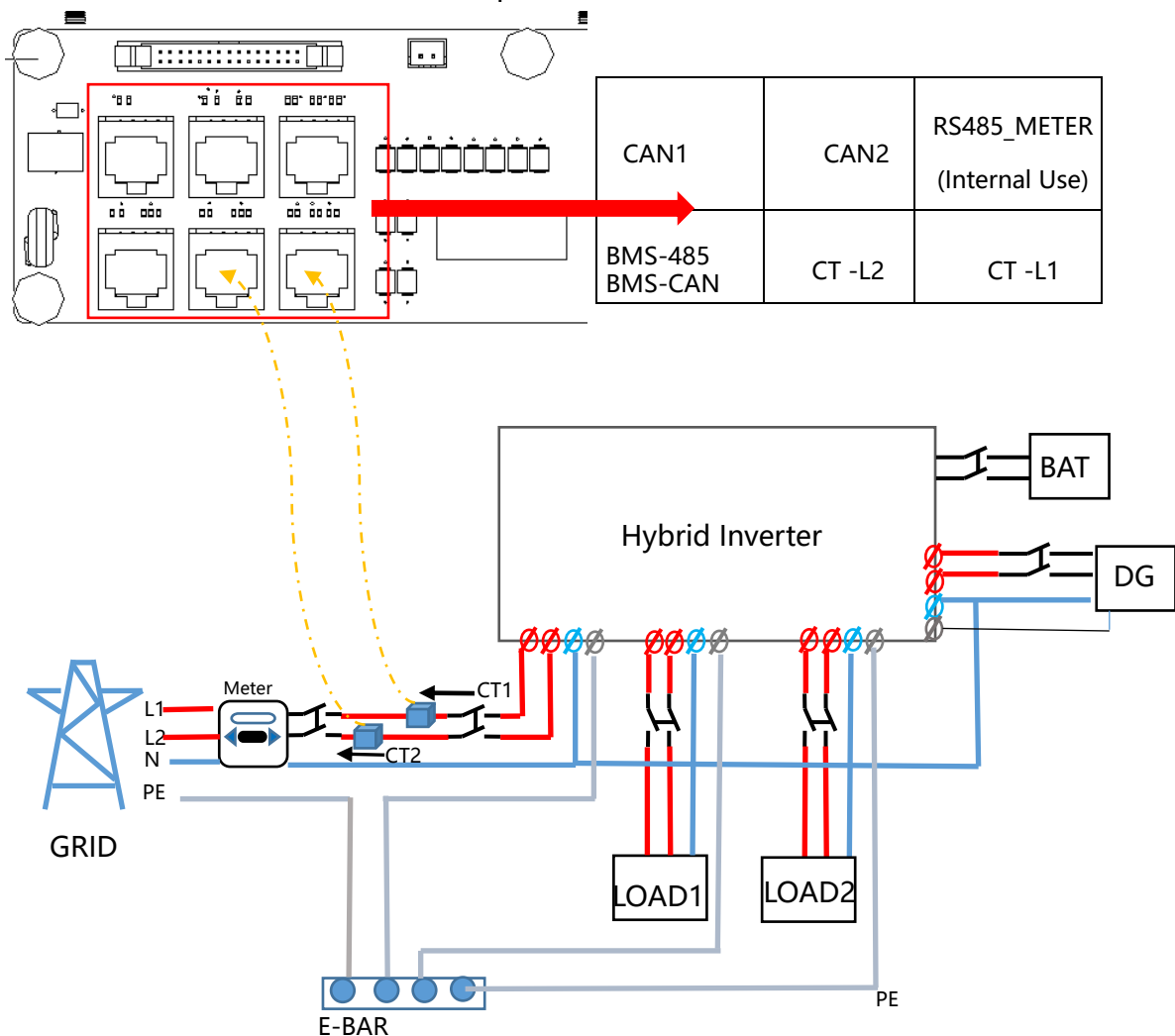
Note!



- If CT is not installed or installed reversely, the functions of "Anti-reflux", "Self-use", "Peak-shift "... will not be realized.
- The direction of the arrow on the CT points from this inverter to the GRID!

When connected to single-phase power grid (Europe, Africa, Asia, Australia). Only one CT is provided in the accessories. The RJ45 connector of CT is connected to "CT-L1" , and the CT is connected to L phase.

When connected to split phase power grid (North America), the accessories provide two CTS, "CT-L1" network interface is corresponds to L1 phase, and "CT-L2" network interface is connected to L2 phase.

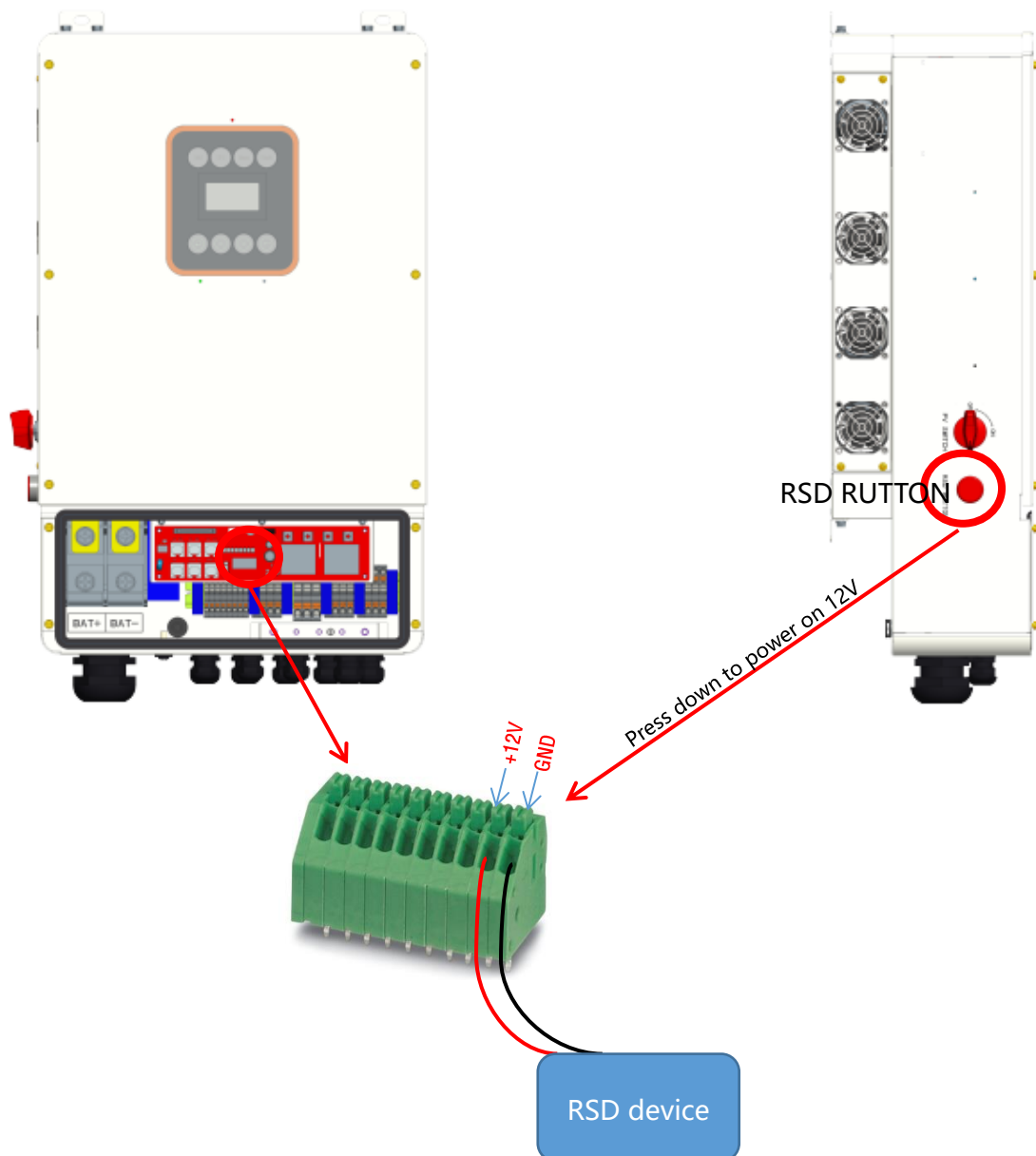


6.8 E-Stop Installation

The emergency stop (E-stop) button (D) included with this inverter is used to stop the PV modules from passing voltage on the string conductors, leaving them at a safe voltage for first responders to perform work in or on the building.

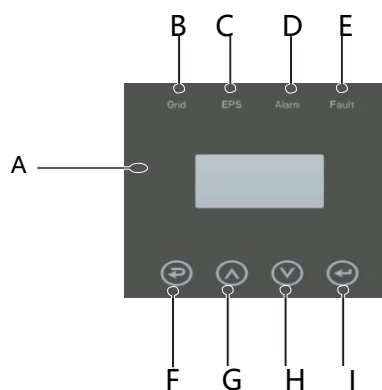
The e-stop button is a normally closed (NC) contact. When the button is pushed, the state of the e-stop is open.

Two 18-22AWG wires are used for connection between e-stop and inverter. At the inverter, these conductors are terminated at the 10 pin connector in the middle of the communication board, and the two conductors are respectively connected to DRY1_1B and DRY1_1. At e-stop, the conductor is connected to the back of the contactor.



7. LCD Operation

7.1 Control Panel

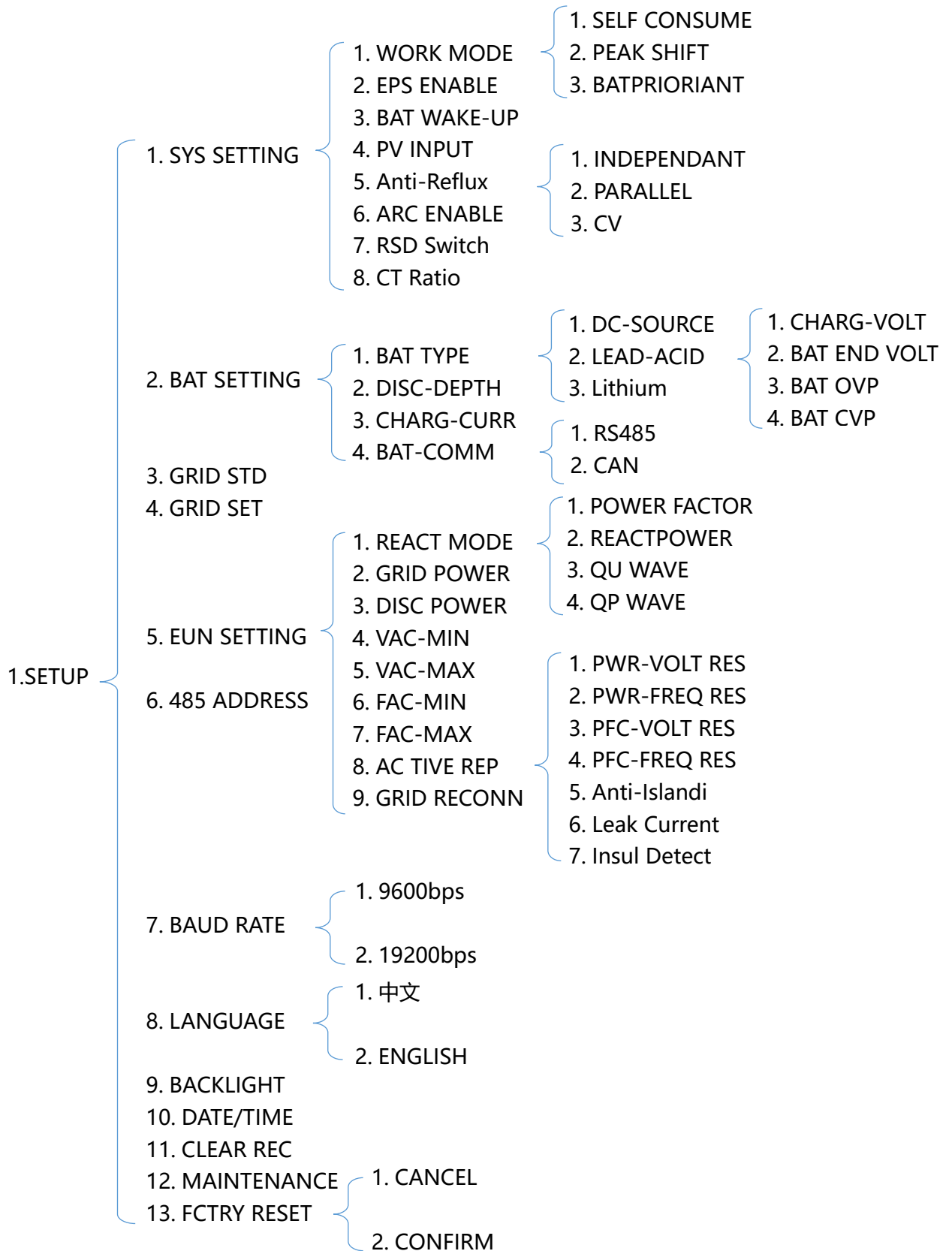


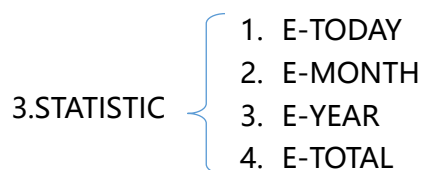
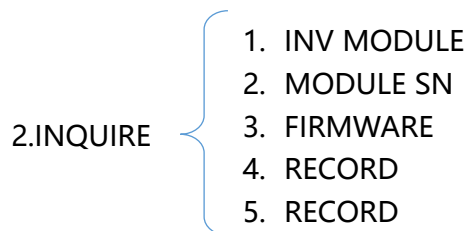
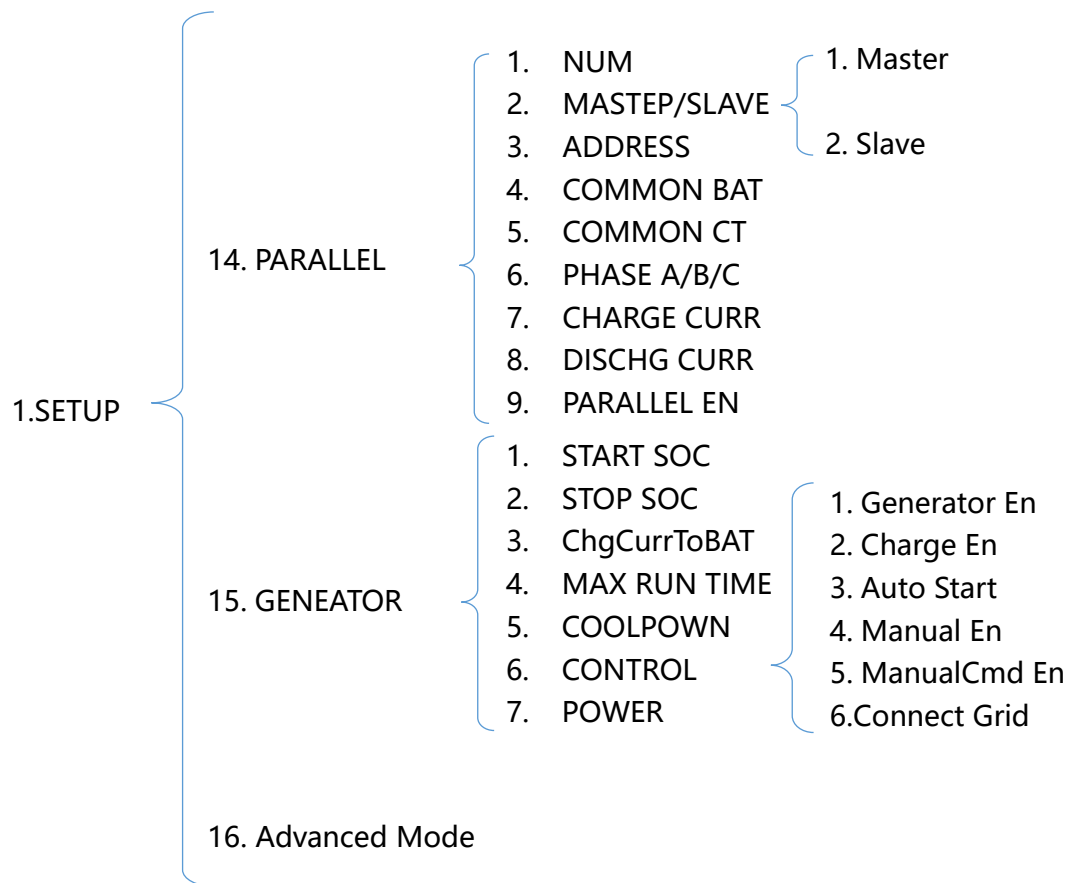
Object	Name	Description
A	LCD	Display the information of the inverter.
B	Indicator LED	lit in green: The inverter is in grid mode. Off: The inverter is in not in grid mode.
C		lit in green: The inverter is in off-grid mode. Off: The inverter is in not in off-grid mode.
D		lit in Yellow: The inverter is in Warning . Off: The inverter has no Inverter Warning
E		lit in red: The inverter is in fault status. Off: The inverter has no errors.
F	Function Button	Esc: Return from current interface or function.
G		Up: Move cursor to upside or increase value.
H		Down: Move cursor to downside or decrease value.
I		Enter: Confirm the selection.

7.2 Instructions for LED Indicator

	Grid (Green)	EPS (Green)	Alarm (Yellow)	Fault (Red)
Initialization	off	off	off	off
Stand-by	off	off	off	off
Grid mode	on	off	off	off
Off-Grid	off	on	off	off
Bypass of mains	off	on	on	off
Fault	off	off	off	on

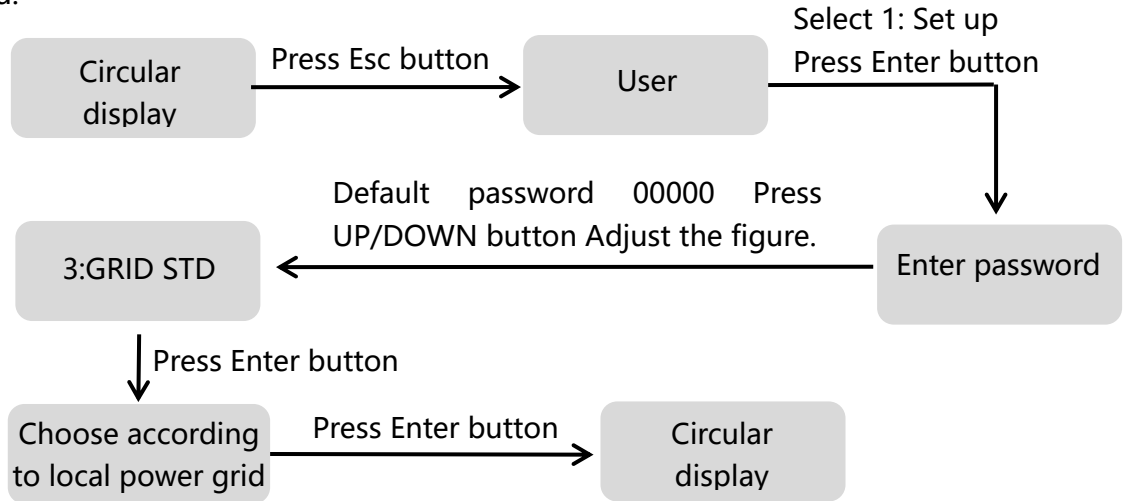
7.3 Instructions for the use of three modes



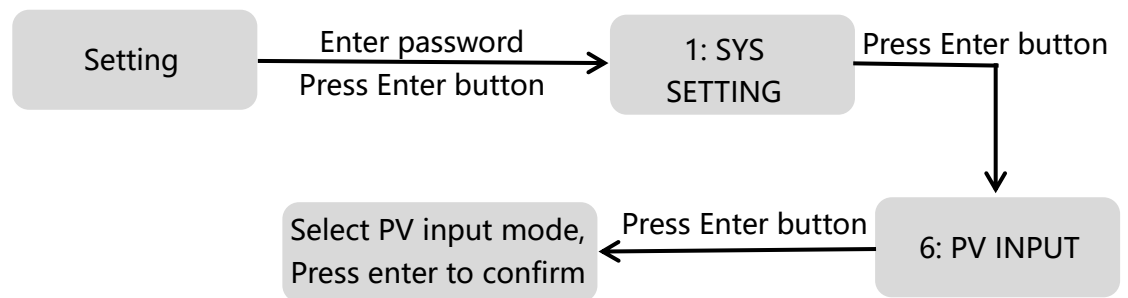


For example, Before selecting the mode, you can set it up according to the local power grid, PV input mode and battery type.

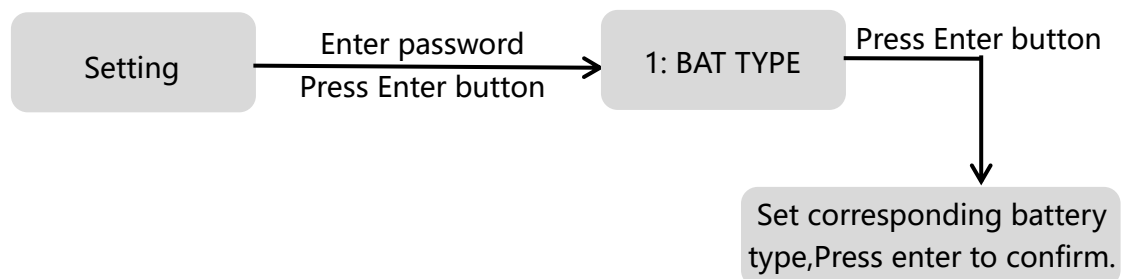
Power grid:



PV input mode:





Battery parameters:



8. LCD Operation

8.1 LCD Interface

8.1.1 Error information

Interface	Description
ERROR NO.  02:BatDisconnect 27:BMS Comm.fail	Numbers represent error codes and text is error information. Refer to Chapter 9 for specific contents. NOTE: When there is a lock mark  in the upper right corner of the screen, you cannot turn the page, you need to press Enter to unlock it first.

8.1.2 System setting1

Interface	Description
SYSTEM1 STATE : SELF CSM GRID S T D : UK PV I/P : PARALL	State: Setting of the whole machine working mode. Including: SELF CONSUME, PEAK SHIFT and BAT PRIORITY. Refer to Chapter 3.3 for specific contents. Grid standard: Displays the grid standard actually set. PV input mode: The display value is the setting value of PV input type. Including: INDEPENDANT, PARALLEL, CV.

8.1.3 System setting2

Interface	Description
SYSTEM2 BMS Com : CAN AntiReflux : DISA DOD : 80%	BMS Com: Battery Management System communication mode. Including: CAN, RS485. Anti Reve: Displays Whether Inverter isn't allowed to generate electricity to the Grid. Including: DISABLE,ENABLE DOD: Depth of battery discharge.

8.1.4 System setting3

Interface	Description
SYSTEM2 EPS ENABLE : ENAB	EPS ENABLE : When the Grid and PV are powered off, Enable the battery to supply power to the load, default option is enable.

8.1.5 PV1 Input display interface

Interface	Description								
<table border="1"><tr><td colspan="2">PV1 INPUT</td></tr><tr><td>VOLT:</td><td>0.0V</td></tr><tr><td>CURR:</td><td>0.00A</td></tr><tr><td>POWER:</td><td>0W</td></tr></table>	PV1 INPUT		VOLT:	0.0V	CURR:	0.00A	POWER:	0W	PV1 input real-time voltage, current and power.
PV1 INPUT									
VOLT:	0.0V								
CURR:	0.00A								
POWER:	0W								

8.1.6 PV2 Input display interface

Interface	Description								
<table border="1"><tr><td colspan="2">PV2 INPUT</td></tr><tr><td>VOLT:</td><td>0.0V</td></tr><tr><td>CURR:</td><td>0.00A</td></tr><tr><td>POWER:</td><td>0W</td></tr></table>	PV2 INPUT		VOLT:	0.0V	CURR:	0.00A	POWER:	0W	PV2 input real-time voltage, current and power.
PV2 INPUT									
VOLT:	0.0V								
CURR:	0.00A								
POWER:	0W								

8.1.7 PV3 Input display interface

Interface	Description								
<table border="1"><tr><td colspan="2">PV3 INPUT</td></tr><tr><td>VOLT:</td><td>0.0V</td></tr><tr><td>CURR:</td><td>0.00A</td></tr><tr><td>POWER:</td><td>0W</td></tr></table>	PV3 INPUT		VOLT:	0.0V	CURR:	0.00A	POWER:	0W	PV3 input real-time voltage, current and power.
PV3 INPUT									
VOLT:	0.0V								
CURR:	0.00A								
POWER:	0W								

8.1.8 PV4 Input display interface

Interface	Description								
<table border="1"><tr><td colspan="2">PV4 INPUT</td></tr><tr><td>VOLT:</td><td>0.0V</td></tr><tr><td>CURR:</td><td>0.00A</td></tr><tr><td>POWER:</td><td>0W</td></tr></table>	PV4 INPUT		VOLT:	0.0V	CURR:	0.00A	POWER:	0W	PV4 input real-time voltage, current and power.
PV4 INPUT									
VOLT:	0.0V								
CURR:	0.00A								
POWER:	0W								

8.1.9 DC Voltage interface

Interface	Description
-----------	-------------

DC VOLTAGE VpBUS: 235.0V VnBUS: 235.0A LearkCur: 0mA	VpBUS: Real-time voltage of bus capacitor of the machine. VnBUS: Real-time voltage of bus capacitor of the machine. LeakCurr: Real-time leak current of the machine.
--	--

8.1.10 Battery interface

Interface	Description
BATTERY VOLT: 0.0V CURR: 0.0 A	Battery real-time voltage, current. STA: Battery status. C: Indicates that the battery is rechargeable (From the BMS) D: Indicates that the battery can discharge (From the BMS) F: The battery requests a forcible charge (From the BMS)

8.1.11 Battery current interface

Interface	Description
BATTERY INFO TYPE: Lithum TEMP: 26°C SOC: 30%	TYPE: Battery type:(lead acid, lithium battery) TEMP: Battery temperature. SOC: Percentage of battery surplus capacity from the BMS

8.1.12 Battery current interface

Interface	Description
LEAD BAT 1000AH CHARG-V: 55.00V BAT END-V: 43.0V BAT OVP: 58.0V	CHAR VOL: Battery charging or discharging voltage. CHARGE: Battery charging current. DISCHA: Battery discharging current.

8.1.13 Grid-connected

Interface	Description
GRID: 0.00Hz L1: 0.0V 0.00A L2: 0.0V 0.00A	GRID FREQ: Grid real-time frequency. L1: Gird-L1 real-time voltage. CT real-time current L2: Gird-L1 real-time voltage. CT real-time current CT: Current sensor accessories

8.1.14 INV(not for customer)

Interface	Description
-----------	-------------

INV: 0.00Hz L1: 0.0V 0.00A L2: 0.0V 0.00A	INV FREQ: Grid real-time frequency. L1: INV-L1 real-time voltage. INV-L1 real-time current. L2: INV-L2 real-time voltage. INV-L2 real-time current.
---	---

8.1.15 LOAD

Interface	Description
LOAD: L1: 0.0V 0.00A L2: 0.0V 0.00A	L1: LOAD-L1 real-time voltage. LOAD-L1 real-time current. L2: LOAD-L2 real-time voltage. LOAD-L2 real-time current.

8.1.16 ON GRID POWER

Interface	Description
POWER GRID L1: 0W GRID L2: 0W	GRID L1: Grid -L1 power. GRID L2: Grid -L2 power.

8.1.17 INV POWER

Interface	Description
POWER INV L1: 0W INV L2: 0W	INV: INV-L1 power. INV: INV-L2 power.

8.1.18 LOAD POWER PER

Interface	Description
LOAD POWER PER L1: 0W 0% L2: 0W 0%	L1 : Load- L1 power percentage. L2 : Load- L2 power percentage.

8.1.19 POWER

Interface	Description
-----------	-------------

<p style="text-align: center;">POWER</p> <p>PV I/P: 0W</p> <p>BAT: 0W</p>	<p>PV I/P: PV power.</p> <p>BAT: BAT power.</p>
---	---

8.1.20 Temperature

Interface	Description
<p style="text-align: center;">TEMPERATURE</p> <p>INVER: 0°C</p> <p>DCDC: 0°C</p> <p>INSIDE: 0°C</p>	<p>INVER: INV Temperature.</p> <p>DCDC: DCDC Temperature.</p> <p>INSIDE: Internal ambient temperature of the machine.</p>

8.1.21 State

Interface	Description
<p style="text-align: center;">STATE</p> <p>SYS: STANDBY</p> <p>INV: STANDBY</p> <p>DCDC: STANDBY</p>	<p>System information: Display complete machine status information, including: INIT, STANDBY, PV GRID, BAT GRID, BYP, AC BAT CHG, HYBRID POW etc.</p> <p>INIT: Initialization PV GRID: PV generates electricity for the grid. BAT GRID: Battery discharges to the power grid.</p> <p>BYP: By-pass band load. AC BAT CHG: The grid charges the battery</p> <p>HYBRID POW: Hybrid power supply(Multiple Power Supply).</p> <p>INV: Displays the inverter status information,including: STANDBY, OFF GRID, GRID, OFF GRID PL, INV TO PFC.</p> <p>GRID: Grid connected state.</p> <p>OFF GRID PL: Working state of off-grid conversion to grid connection.</p> <p>INV TO PFC: Status of power by public grid turn into on grid working mode.</p> <p>DCDC: Displays charging and discharging status information, including: STANDBY, CHARGE, DISCHARGE.</p>

8.2 SETTING

8.2.1 State

Interface	Description
USER →1:SETUP 2:INQUIRE 3:STATISTIC	SETUP: Press Enter to user settings interface. INQUIRE: Query machine model, serial number, software version. STATISTIC: View machine run statistics.

8.2.2 SET Password

Interface	Description
PASSWORD INPUT: XXXXX	Enter the password required for setting. The default password is "00000". Press the Up or Down keys to adjust the number, press the Enter key to move the cursor forward, and press the Esc key move the cursor backward.

8.2.3 Setup

Interface	Description
SETUP →1:SYS SETTING 2:BAT SETTING 3:GRID STD 4:GRID SETTING 5:RUN SETTING 6:485 ADDRESS 7:BAUD RATE 8:LANGUAGE 9:BACKLIGHT 10:DATE/TIME 11:CLEAR REC 12:MAINTENANCE 13:FCTRY RESET 14:PARALLEL 15:GENERATOR	This interface is used for various information inquiry options. Press the Up/Down button to make the corresponding selection. Press Enter button to enter the selected menu. Press ESC button return to the user interface. (Refer to 8.2.1). There are 14 options in total.

8.2.4 System setting

8.2.4.0 System setting

Interface	Description
SYS SETTING → 1: WORK MODE 2: EPS ENABLE 3: BAT WAKE-UP 4: PV INPUT 5: Anti Reflux 6: ARC Enable 7: RSD Switch 8: CT Ratio	This interface is used to access system information. Press Up/Down button to move corresponding options. Press Enter to enter the selected menu. Press ESC button to return to the setting interface. There are 8 options in total.

8.2.4.1 Work mode

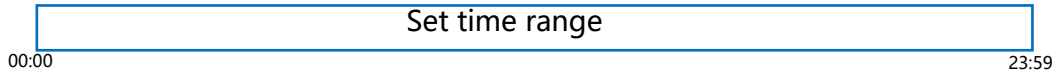
Interface	Description
WORK MODE → 1:SELFCONSUME 2:PEAK SHIFT 3:BAT PRIORITY	This interface is used to select the working mode. Press ESC button return to setting interface. (Refer to 3.3)

8.2.4.1.1 Peak shift

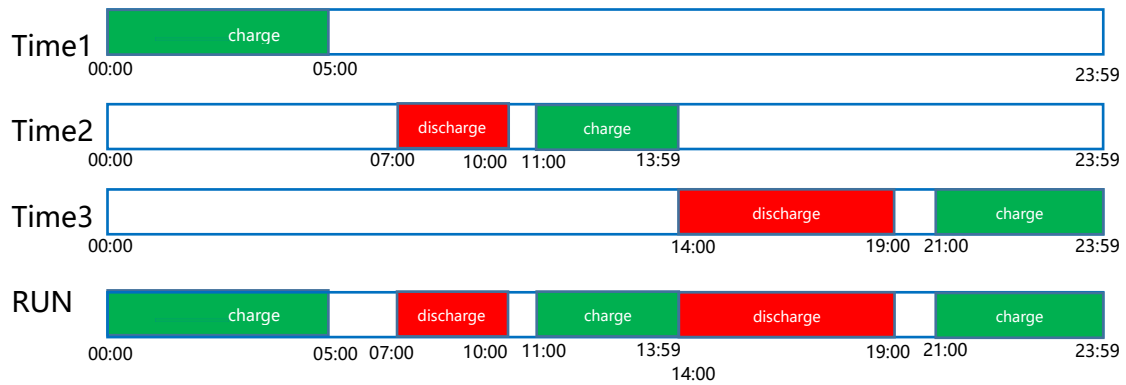
Interface	Description
WORK MODE 1:SELFCONSUME → 2:PEAK SHIFT 3:BAT PRIORITY	This interface is used to select the working mode. Press ESC button return to setting interface. (Refer to 3.3). Select the peak shift mode, you also need to set the charge and discharge time
WORKTIME* → 1:TIME 1 2:TIME 2 3:TIME 3	It's allowed to set Three charging and discharging periods. When setting the time, ensure that the time of the inverter is the local time. Press Enter to enter the next menu.
CHR START1 00:00 CHRG END1 00:02 DIS START1 00:03 DISC END1 23:59	This interface is used to adjust the time of peak load shifting. There are three time periods you can set. Press Up/Down button to move the corresponding options. Press Enter to enter the selected menu. Press Esc button to return to the working mode interface.

WORKTIME*

1)The maximum allowable setting time is 24h(one day), It is allowed to set six different charging and discharging states within 24h.(time1 twice,time2 twice,time3 twice), The inverter runs repeatedly every day according to the set time.



2) The inverter executes according to the settings of time1, time2 and time3 in the order of time. The following figure is an example. Different time periods do not overlap.



3) If you want to set a continuous charging time from the first night to the next morning. For example, you want charge battery form first day 21:00pm to next day 5:00am, divide this time period into two time periods (21:00~23:59, 00:00~05:00), and select two charging time periods from Time1, Time2 and Time3 and set them.

8.2.4.2 EPS enable

Interface	Description
EPS ENABLE 1:DISABLE →2:ENABLE	When the Grid and PV are powered off, Enable the battery to supply power to the load, default option is enable.

8.2.4.3 Battery wake-up

Interface	Description
WAKE-UP EN →1:DISABLE 2:ENABLE	When the battery is low and the battery relay has been disconnected, the inverter will send instructions to the battery forcibly sucking relay by BMS, and the inverter will charge. The default option is disabled. (Partial battery support)

8.2.4.4 PV INPUT MODE

Interface	Description
INPUT MODE →1.INDEPENDENT 2.PARALLEL 3.CV	Setup of PV Input mode. Default factory setting is Independent, When parallel input is set to be stand-alone mode, PV power will be imbalanced. PARALLEL : In parallel mode is commonly used in test, two or four road PV in parallel. CV:(Constant voltage test model)not for customer

8.2.4.5 Anti Reverse

Interface	Description
Anti Reverse →1.DISABLE 2.ENABLE	Anti Reverse: Whether Inverter isn't allowed to generate electricity to the Grid. The default option is disabled. It's means inverter allowed to generate electricity to the Grid

8.2.4.6 ARC ENABLE

Interface	Description
-ARC- →1.DISABLE 2.ENABLE	Enable or disable ARC detection function.

8.2.4.7 BUTT ENABLE

Interface	Description
BUTTON ENABLE →1.DISABLE 2.ENABLE	<p>When it is set to "ENABLE", you can power on or power off the inverter through the button at the left side.</p> <p>When is set to "DISABLE", When it is set to disable, the machine will start automatically regardless of the status of the button.</p>

8.2.5 BATTERY SETTING

8.2.4.8 BAT SETTING

Interface	Description
BAT SETTING →1.BAT TYPE 2.DISC-DEPTH 3.CHARG-CURR 4.BAT-COMM	<p>This interface is used to select battery parameters.</p> <p>Press Up/Down button to move corresponding options;</p> <p>Press Enter button to enter the selected menu;</p> <p>Press ESC button to return to setting interface.</p>

8.2.4.9 BAT TYPE

Interface	Description
BAT TYPE 1.DC-SOURCE →2.LEAD-ACID 3.Lithium	<p>This interface is used to select battery type.</p> <p>Press Up/Down button to move corresponding options;</p> <p>Press Enter button to enter the selected menu.</p> <p>Select the LEAD-ACID enter button to enter LEAD-ACID interface;</p> <p>Set 1 to testing mode (not for customer)</p>

8.2.5.1.1 Lead-acid battery parameter

Interface	Description
LEAD-ACID →1.CHARG-VOLT 2.BAT END VOLT 3:BAT OVP 4:BAT CAP	<p>This interface is used to select LEAD-ACID battery parameter.</p> <p>Press Up/Down button to move corresponding options;</p> <p>Press Enter button to enter the selected menu;</p> <p>1. Charge voltage 2. BAT end voltage 3. BAT over voltage</p>
CHARGE VOLT INPUT: 55.0 V UNIT: V	<p>This interface is used to set the lead acid battery charging voltage. (The inpt value ranges from 40 to 58)</p>

Interface	Description
BAT END VOLT INPUT: 045.0 UNIT: V	This interface is used to set the lead acid battery discharging voltage. (The input value ranges from 40 to 51) Discharge cut-off voltage, as recommended by the battery manufacturer.
BAT OVP INPUT: 055.0 UNIT: V	This interface is used to set the lead acid battery Charge protection voltage. (The input value ranges from 50 to 59.5) Charge protection voltage, as recommended by the battery manufacturer.
BAT CAP INPUT: 0450 UNIT: AH	This interface is used to set the lead acid Battery capacity. It is related to the input power. (The input value ranges from 50 to 1000) The battery capacity setting will affect the maximum charging current, for example, set 100Ah, the maximum charging current is $100A \times 0.2 = 20A$

8.2.5.2 DISC-DEPTH

DISC DEPTH Grid DOD: 080% OFF Grid DOD: 080% Return: 020%	Grid DOD/ OFF Grid DOD: When the battery discharge is higher than the set parameter, the inverter generates a battery low voltage alarm. Return: When a low-voltage alarm is generated, the alarm is cleared if the battery charge is higher than the specified amount.
--	--

8.2.5.3 BAT-COMM

Interface	Description
BAT-COMM 1.RS485 →2.CAN	This interface is used to select battery communication. Press Up/Down button to move corresponding options; Press Enter button to enter the selected menu. The default option is CAN.

8.2.6 Grid standard

8.2.6.0 Grid std

Interface	Description
GRID STD 1.AU 2.AU-W 3.NZ 4.UK 5.PE 6.KP 7.PHI 8.CN → 9.US-CA 10.THAIL 11.ZA 12.CUSTOM 13.POL 14.EN50549 15.VDE4105 16.JPN	This interface is used to select Grid standard. Press Up/Down button to move corresponding options; Press Enter button to enter the selected menu. 1:AU--(Australia) 2:AU-W—(Western Australia) 3:NZ-- New Zealand 4: UK--United Kingdom 5:PE—Pakistan 6:KR—Korea 7:PHI—Philippines 8:CN—China 9:US-CA—America 10:THAIL—Thailand 11:ZA--South Africa 12:CUSTOM—User defined 13:POL—Poland 14:EN50549 15:VDE4105 16:JPN—Japan

8.2.6.1 Grid set

	Description
GRID SET → 1.220V single 2:120/240V 3:120/208V 4:120V single	220V single : 220V Single-phase. 120/240V : 120/240V Split-phase. 120/208V : 120/208V Split-phase. 120V single : 120V Single-phase.

8.2.7 RUN SETTING

8.2.7.0 RUN SETTING

Interface	Description
RUN SETTING 1.REACT MODE →2.GRID POWER 3.DISC POWER 4.VAC-MIN 5.VAC-MAX 6.FAC-MIN 7.FAC-MAX 8.ACTIVEREP 9.GRID RECONN	This interface is used to select run setting. Press Up/Down button to move corresponding options; Press Enter button to enter the selected menu. Factory default Settings, please consult the distributor for modification.

8.2.7.1 REACT MODE

Interface	Description
RUN SETTING →1.REACT MODE 2.GRID POWER 3.DISC POWER	This interface is used to select react mode. Press Up/Down button to move corresponding options; Press Enter button to enter the selected menu. (For specific country if required by the local grid.)
REACT MODE →1.POWER FACTOR 2.REACT POWER 3.QU WAVE 4.QP WAVE	QU WAVE: Voltage-reactive curve. QP WAVE: Active power-reactive power curve. (These two functions are not available on the screen, please contact the distributor if you need to use them.)
POWER FACTOR INPUT: C1.00	The input value should range between L0.80 and L0.99 or C0.8 and C1.00.
REACT POWER INPUT: +00%	The input value should range between -60% and +60%, which varies with the standard.

8.2.7.2 GRID POWER

Interface	Description	
<table border="1"><tr><td>GRID PERCENT INPUT: 100%</td></tr></table>	GRID PERCENT INPUT: 100%	The input value is power percent of grid.
GRID PERCENT INPUT: 100%		

8.2.7.3 DISCHARGE POWER

Interface	Description	
<table border="1"><tr><td>DISC PERCENT INPUT: 100%</td></tr></table>	DISC PERCENT INPUT: 100%	The input value is power percent of battery discharge.
DISC PERCENT INPUT: 100%		

8.2.7.4 CHAG POWER

Interface	Description	
<table border="1"><tr><td>CHAG PERCENT INPUT: 100%</td></tr></table>	CHAG PERCENT INPUT: 100%	The input value is power percent of battery charge.
CHAG PERCENT INPUT: 100%		

8.2.7.5 PV POWER

Interface	Description	
<table border="1"><tr><td>PV PERCENT INPUT: 100%</td></tr></table>	PV PERCENT INPUT: 100%	The input value is power percent of PV.
PV PERCENT INPUT: 100%		

8.2.7.6 VAC-MIN

Interface	Description
GRID VOLT LOW INPUT: 176 UNIT: V	The input value of Grid low voltage. It effects when grid mode choose custom.

8.2.7.7 VAC-MAX

Interface	Description
GRID VOLT HIGH INPUT: 270 UNIT: V	The input value of Grid high voltage. It effects when grid mode chooses "custom".

8.2.7.8 FAC-MIN

Interface	Description
GRID FREQ LOW INPUT: 42.0 UNIT: Hz	The input value of Grid low frequency. It effects when grid mode choose "custom".

8.2.7.9 FAC-MAX

Interface	Description
GRID FREQ HIGH INPUT: 58.0 UNIT: Hz	The input value of Grid high frequency. It effects when grid mode choose "custom".

8.2.7.10 ACTIVE REF.

Interface	Description
ACTIVE Type 1.PWR-VOLT RES 2.PWR-FREQ RES 3.PFC-VOLT RES 4.PFC-FREQ RES 5. Anti-Islandi 6.Leak Current 7.Insul detect	This interface is used to select active reference. Press Up/Down button to move corresponding options; Press Enter button to enter the selected menu. Each menu has enable or disable, set it when you need. All default are enable.

8.2.8 485 Address

8.2.8.0 485 Address

Interface	Description
485 ADDRESS INPUT: 1	This interface is used to select 485 address.

8.2.9 485 BAUD RATE

8.2.9.0 BAUD RATE

Interface	Description
SELECT →1.9600 bps 2.19200 bps	This interface is used to select 485 baud rate.

8.2.10 LANGUAGE SETTING

8.2.10.0 LANGUAGE

Interface	Description	
<table border="1"><tr><td>LANGUAGE 1.中文 →2.English</td></tr></table>	LANGUAGE 1.中文 →2.English	This interface is used to select language.
LANGUAGE 1.中文 →2.English		

8.2.11 BACKLIGHT

8.2.11.0 BACKLIGHT

Interface	Description	
<table border="1"><tr><td>LIGHT TIME INPUT: 20 UNIT: SEC</td></tr></table>	LIGHT TIME INPUT: 20 UNIT: SEC	This interface is used to set light time.
LIGHT TIME INPUT: 20 UNIT: SEC		

8.2.12 DATE/TIME SETTING

8.2.12.0 DATE/TIME

Interface	Description	
<table border="1"><tr><td>DATE/TIME DATE: 2021-12-25 TIME: 22:30:00 WEEK: Saturday</td></tr></table>	DATE/TIME DATE: 2021-12-25 TIME: 22:30:00 WEEK: Saturday	This interface is used to set date and time.
DATE/TIME DATE: 2021-12-25 TIME: 22:30:00 WEEK: Saturday		

8.2.13 CLEAR REC

8.2.13.0 Clear history

Interface	Description	
<table border="1"><tr><td>DEL REC →1.CANCEL 2.CONFIRM</td></tr></table>	DEL REC →1.CANCEL 2.CONFIRM	This interface is used to clear operation history.
DEL REC →1.CANCEL 2.CONFIRM		

8.2.14 MAINTENANCE

8.2.14.0 MAINTENANCE

Interface	Description
PASSWORD INPUT: XXXXX	This interface is used to enter maintenance.

8.2.15 FCTRY RESET

8.2.15.0 FACTORY RESET

Interface	Description
FACTORY RESET →1.CANCEL 2.CONFIRM	This interface is used to reset the inverter.

8.2.16 PARALLEL

8.2.16.0 PARALLEL

*Please read Chapter 10 for more details.

Interface	Description
RUN SETTING 1.NUM →2.MASTEP/SLAVE 3.ADDRESS 4.COMMON BAT 5.COMMON CT 6.PHASE A/B/C 7.CHARGE CURR 8.DISCHG CURR 9.PARALLEL EN	This interface is used to select run setting. Press Up/Down button to move corresponding options; Press Enter button to enter the selected menu.

8.2.16.1 NUM

Interface	Description				
<table border="1"> <tr> <td>PARALLEL NUM</td> <td></td> </tr> <tr> <td>INPUT:</td> <td><u>2</u></td> </tr> </table>	PARALLEL NUM		INPUT:	<u>2</u>	This operation is used to select the number of parallel machines.
PARALLEL NUM					
INPUT:	<u>2</u>				

8.2.16.2 MASTEP/SLAVE

Interface	Description						
<table border="1"> <tr> <td>Master/Slave</td> <td></td> </tr> <tr> <td>→ 1.Master</td> <td></td> </tr> <tr> <td>2.Slave</td> <td></td> </tr> </table>	Master/Slave		→ 1.Master		2.Slave		This interface is used for paralleling, and the inverter is selected as the master or slave.
Master/Slave							
→ 1.Master							
2.Slave							

8.2.16.3 ADDRESS

Interface	Description				
<table border="1"> <tr> <td>Parallel Addr</td> <td></td> </tr> <tr> <td>INPUT:</td> <td><u>1</u></td> </tr> </table>	Parallel Addr		INPUT:	<u>1</u>	This interface is used to select the parallel address, the host address is set to 1 by default, there is a slave, and the slave is set to 2; If there are two slaves, the slaves are set to 2 and 3 respectively; the address settings of each inverter cannot be the same.
Parallel Addr					
INPUT:	<u>1</u>				

8.2.16.4 COMMON BAT

Interface	Description						
<table border="1"> <tr> <td>COMMON BAT</td> <td></td> </tr> <tr> <td>→ 1.DISABLE</td> <td></td> </tr> <tr> <td>2.ENABLE</td> <td></td> </tr> </table>	COMMON BAT		→ 1.DISABLE		2.ENABLE		Enable or disable battery sharing.
COMMON BAT							
→ 1.DISABLE							
2.ENABLE							

8.2.16.5 COMMON CT

Interface	Description
-----------	-------------

COMMONM CT → 1.DISABLE 2.ENABLE	Enable or disable CT sharing.
---------------------------------------	-------------------------------

8.2.16.6 PHASE A/B/C

Interface	Description
Phase A/B/C → 1.A 2.8 3.C	This interface is used to select the output phase of the device when three phases are used. (Reserved function).

8.2.16.7 CHARGE CURR

Interface	Description
Charge Curr INPUT: <u>0100</u> UNIT: A	This interface is used to select the parallel charging current.

8.2.16.8 DISCHG CURR

Interface	Description
Discharge Curr INPUT: <u>0100</u> UNIT: A	This interface is used to select the parallel discharge current.

8.2.16.9 PARALLEL EN

Interface	Description
Parallel EN → 1.DISABLE 2.ENABLE	Start or disable the parallel function.

8.2.17 GENEATOR

8.2.17.0 GENEATOR

*Please read Chapter 9 for more details.

Interface	Description
GENEATOR 1.START SOC →2.STOP SOC 3.ChgCurrToBAT 4.MAX RUN TIME 5.COOLDOWN 6.CONTROL 7.POWER	1. This interface is used to select run setting. 2. Press Up/Down button to move corresponding options; 3. Press Enter button to enter the selected menu.

8.2.17.1 START SOC

Interface	Description
STRART SOC INPUT: 020%	This interface is used to set the minimum battery capacity when starting the generator.

8.2.17.2 STOP SOC

Interface	Description
STOP SOC INPUT: 020%	This interface is used to set the maximum battery capacity when the generator is turned off.

8.2.17.3 ChgCurrToBAT

Interface	Description
-----------	-------------

Chg Curr to BAT INPUT: <u>0</u> 30 UNIT: A	This interface is used to set the battery charging current when the generator is used.
--	--

8.2.17.4 MAX RUN TIME

Interface	Description
MAX RUN TIME INPUT: <u>1</u> 0.0 UNIT: hours	This interface is used to set the maximum running time of the generator.

8.2.17.5 COOLDOWN

Interface	Description
COOL DOWN TIME INPUT: <u>0</u> 2.0 UNIT: hours	This interface is used to set the cooling time.

8.2.17.6 CONTROL

Interface	Description
GEN CONTROL 1.Generator En →2.Charge En 3.AutoCtrl En 4.Manual En 5.ManualCmd En 6.Connect Grid	This interface shows Generator CONTROL 1. Enable control of the Generator function. 2. Generator Charge Enable control 3. If the user wants the Generator to be automatically controlled to start and stop through the dry contact, Enable it. 4. If the user wants the Generator to be controlled manually, Enable it. Manual En should be opposed to AutoCtrl En. 5. The on/off command in manual control mode, 6. Connect the diesel Generator to the grid input port.

8.2.17.7 POWER

Interface	Description
<div style="border: 1px solid black; padding: 5px;"> POWER INPUT: 08.0 UNIT: KW </div>	This interface is used to set the diesel generator power.

8.3 INQUIRE

8.3.0 INQUIRE

Interface	Description
<div style="border: 1px solid black; padding: 5px;"> INQUIRE → 1.INV MODULE 2.MODULE SN 3.FIRMWARE 4.RECORD 5.DIAGNOSE </div>	Press Up/Down button to move corresponding options; Press Enter button to jump to the selected menu. Press ESC button to return to other interface.

8.3.1 INV MODULE

Interface	Description
<div style="border: 1px solid black; padding: 5px;"> MODEL 8K </div>	This interface shows inverter model.

8.3.2 MODULE SN

Interface	Description
<div style="border: 1px solid black; padding: 5px;"> S / N GUID: XXXXXXXX XXXXXXXXXXXXXXXX SN:XXXXXXXXXXXXX </div>	This interface shows module SN.

8.3.3 FIRMWARE

Interface	Description
FIRMWARE ARM: V1.XX.XX DSP: V1.XX.XX	This interface shows Software version.

8.3.4 RUNNING RECORDS

Interface	Description
REC(01) 02:Batdisconnect UP: 12-25 23:00 DOWN:	This interface shows running recodes.

8.3.5 DIAGNOSE

Interface	Description
DIAGNOSE 000000 000000 000000 000000 000000 000000	Factory internal use.

8.4 STATISTIC

8.4.0 STATISTIC

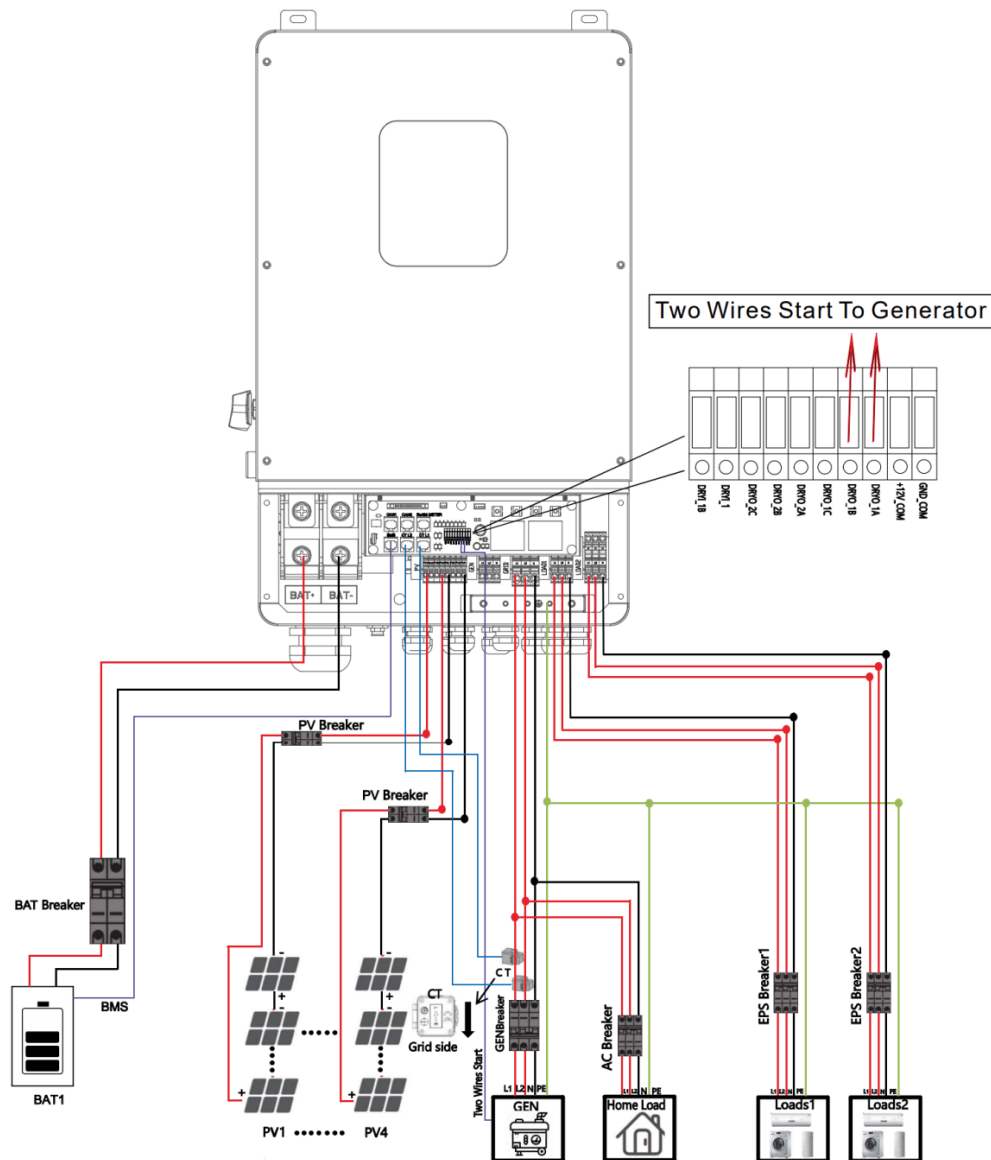
Interface	Description
STAT. → 1.E-TODAY 2.E-MONTH 3.E-YEAR 4.E-TOTAL	This interface shows inverter operation statistic. 1. Displays statistic for the day (KWH). 2. Displays statistic for the month (KWH). 3. Displays statistic for the year (KWH). 4. Displays statistic of the inverter (KWH).

Note: 1. E-TODAY/MONTH/YEAR/TOTAL→INPUT→PV/GRID(Consume)/BATD(Battery discharge) →OUTPUT→BatC(Battery charge)/GRID(Generation)/CNSUM(Load consume)
 2. If the inverter shut down before 24:00 on that day, and the day statistic will not be stored.

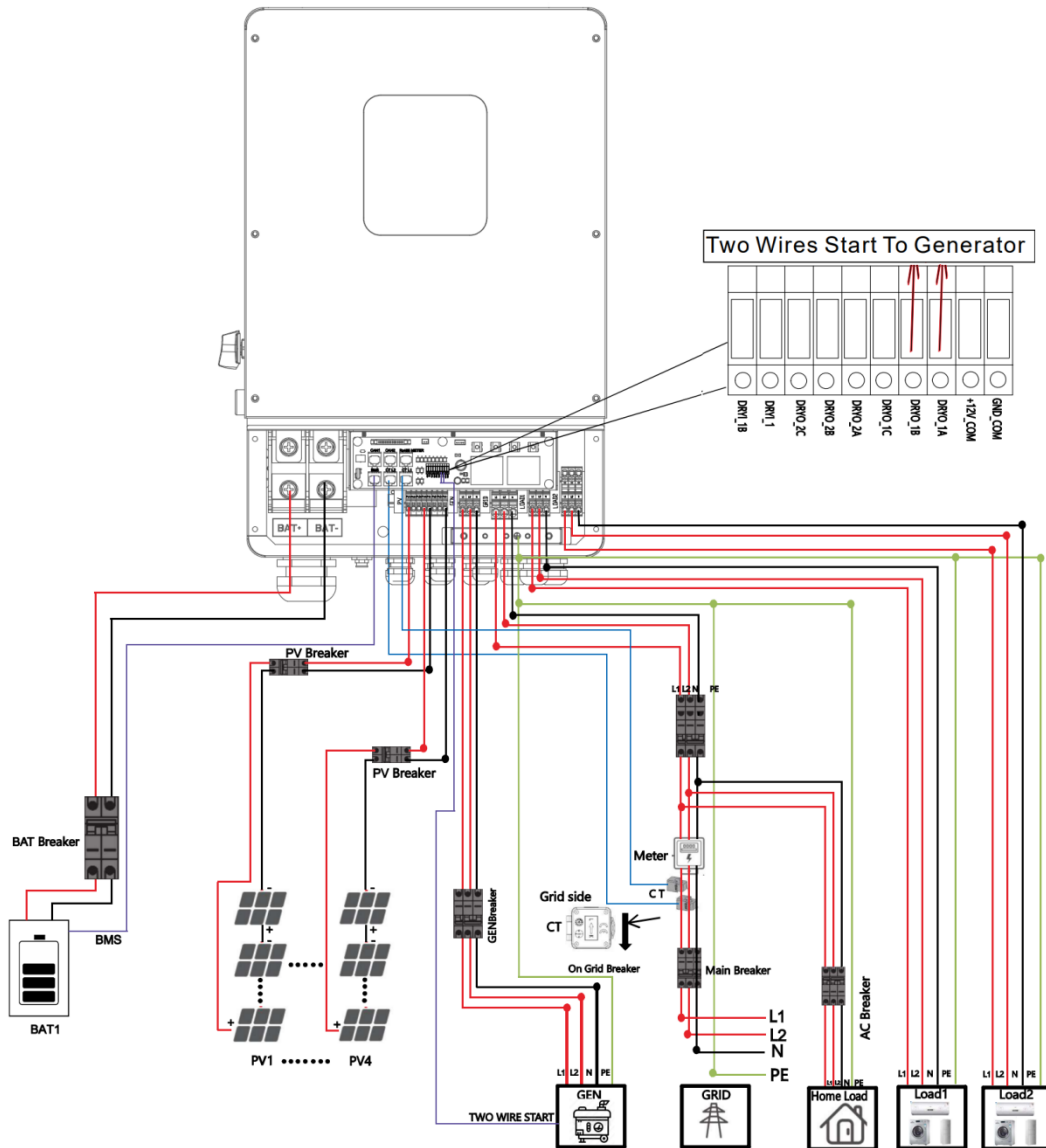
9. Generator Use Operation Guide

9.1 Generator Use Diagram

1) The Generator is connected to the grid port of the inverter. The connecting cable shall be covered with CT. It is used in some off grid situations. The system diagram is as follows.



2) The Generator is normally connected to the Generator port. The connecting cable between the Generator and the inverter does not need to be covered with CT. The connection line of the power grid port should be connected with CT. The system diagram is as follows.



9.2 Generator Operation Notes

1) The two wires start signal **DRYO_1A** and **DRYO_1B** of the Generator is used to automatically control the start and stop of the Generator.

2) Make sure the inverter units software version support Generator function.

USER->INQUIRE->FIRMWARE

FIRMWARE	
ARM:	V1.XX.XX
DSP:	V1.XX.XX

3) When the generator is used in inverter parallel situation, the two wires start signal is only needed to be connected to the master unit. The wiring and the setting of the Generator should be exactly same.

4) Please check the diagram above.

9.3 Generator Setting

The Generator setting page can be visited in the following steps in the screen:

USER->1. SETUP->PASSORD CHECK->16.Generator

9.3.1 Setting

Interface	Description
Generator. → 1.START SOC. 2.STOP SOC 3.ChgCurrToBAT 4.MAX RUN TIME 5.COOLDOWN 6.CONTRL 7.POWER	This interface shows Generator setting. <ol style="list-style-type: none"> When the SOC of battery is lower than the setpoint, the Generator drycontact is enabled and Generator Manual operation is disabled, the connected Generator will be started. When the SOC of battery is higher than the setpoint, the Generator drycontact is enabled and Generator Manual operation is disabled, the connected Generator will be stopped. It indicates the maximum current that the inverter charges the battery from Generator. It indicates the longest time Generator can run in one day, when time is up, the Generator will be turned off. The value 240 means 24hours in which state the Generator will not be shut down all the time. The unit is 0.1 hour. It indicates the waiting time of the Generator to restart after it has reached the running time. The unit is 0.1 hour.

	<ol style="list-style-type: none"> 6. Refer to 11.3.2 CONTRL. 7. Rated power of Generator.
--	---

9.3.2 CONTRL

Interface	Description
GEN CONTROL 1.Generator En 2.Charge En 3.AutoCtrl En 4.Manual En 5.ManualCmd En 6.Connect Grid	This interface shows Generator CONTRL. <ol style="list-style-type: none"> 1. Enable control of the Generator function. 2. Generator Charge Enable control 3. If the user wants the Generator to be automatically controlled to start and stop through the dry contact,Enable it. 4. If the user wants the Generator to be controlled manually,Enable it. Manual En should be opposed to AutoCtrl En. 5. The on/off command in manual control mode , 6. Connect the diesel Generator to the grid input port.

10. Inverter Parallel Guide

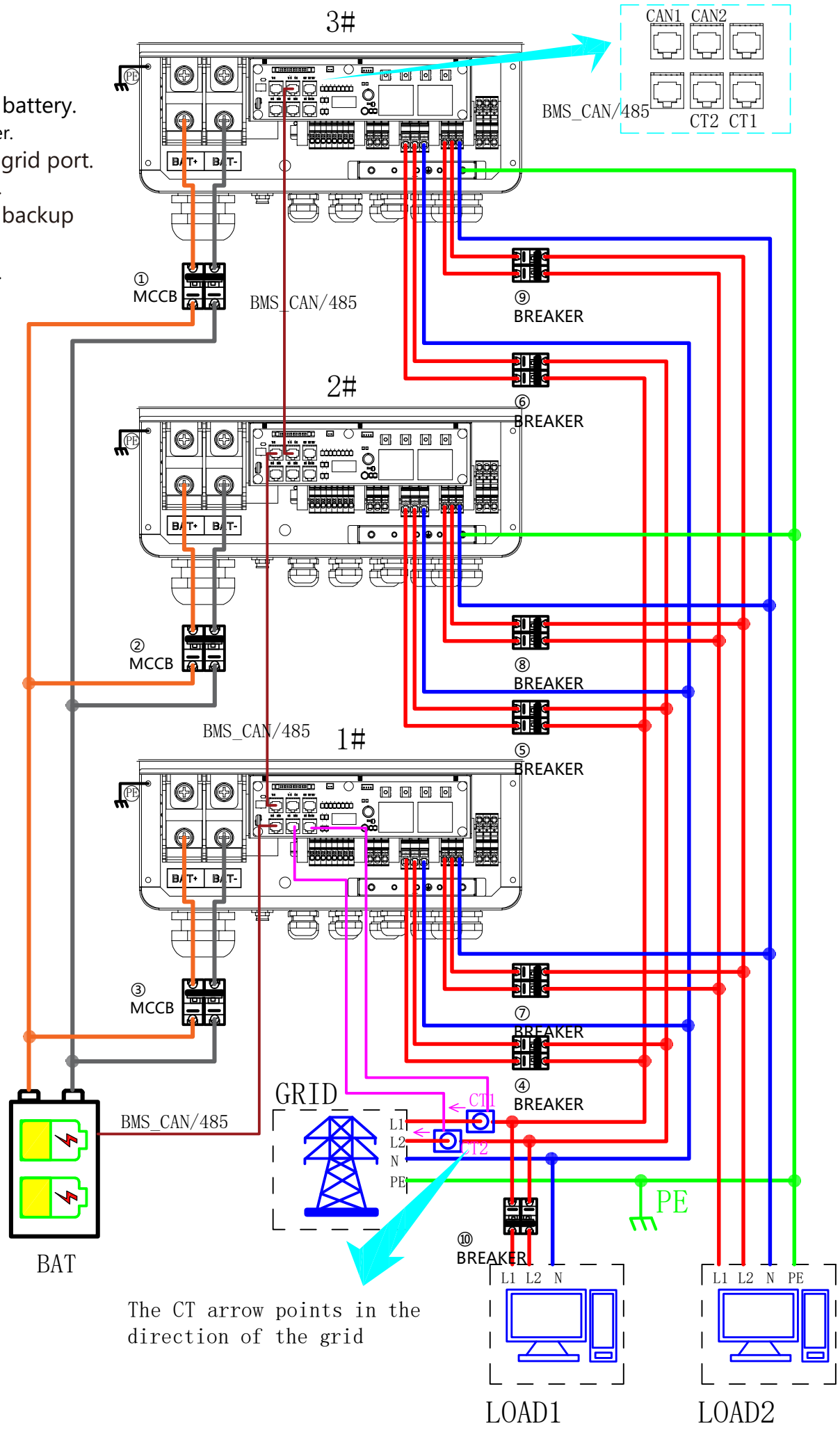
10.1 Parallel System Diagram

Multiple inverters can be installed together to deliver more power. When AC loads are present, all units effectively share the load. The system diagram is as follows.

10.1.1 Split phase (120/240Vac) parallel connection diagram

- ①②③ DC Breaker for battery.
R8KLNA: 250A DC breaker.
- ④⑤⑥ AC Breaker for grid port.
R8KLNA: 40A AC breaker.
- ⑦⑧⑨ AC Breaker for backup load port.
R8KLNA: 40A AC breaker.
- ⑩ AC Breaker.
Depends on household loads.

Default settings:
CT shared,
battery shared

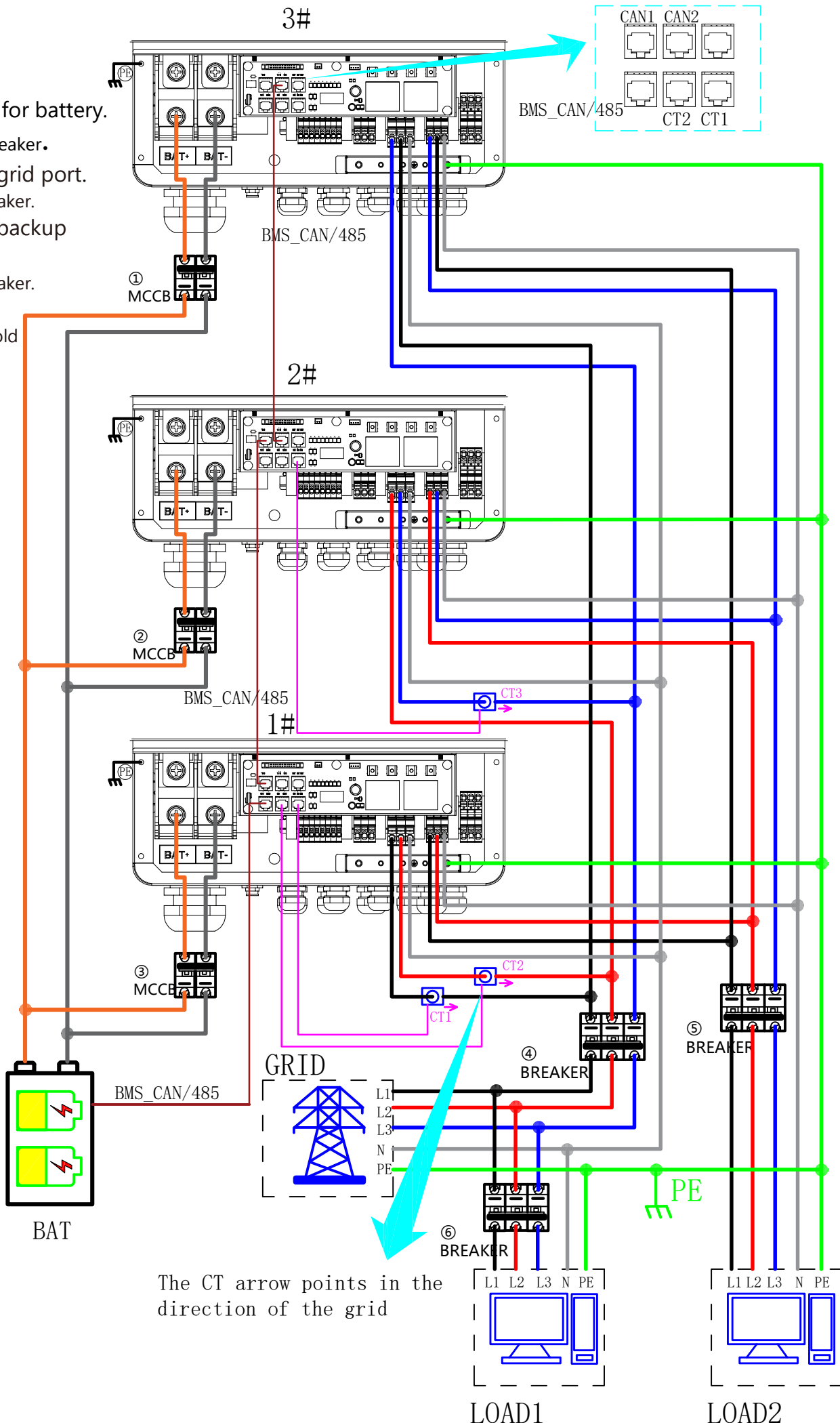


The CT arrow points in the direction of the grid

10.1.2 Parallel connection for 120/208 three phase(American Standard)

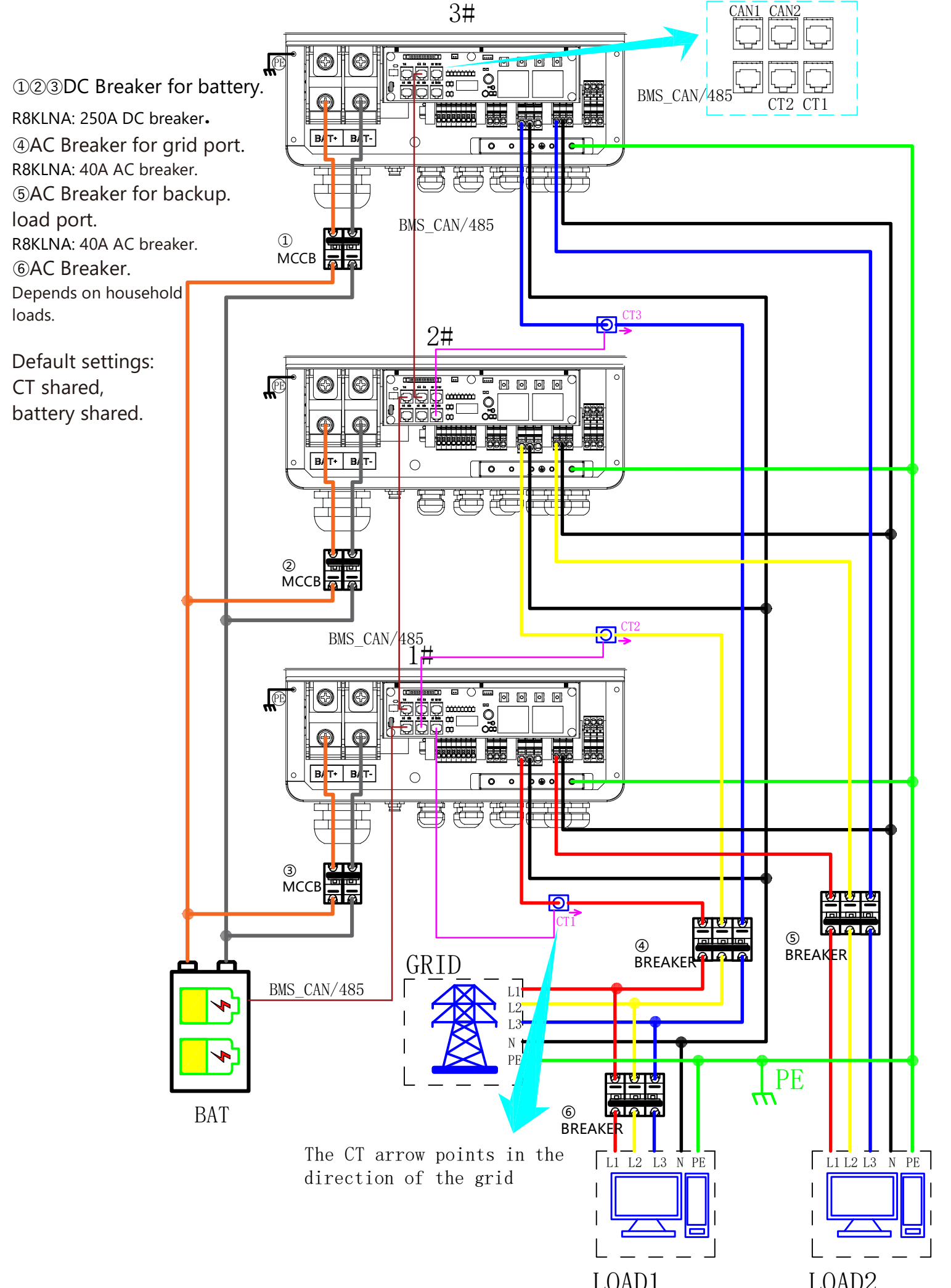
- ①②③DC Breaker for battery.
R8KLNA: 250A DC breaker.
- ④AC Breaker for grid port.
R8KLNA: 80A AC breaker.
- ⑤AC Breaker for backup load port.
R8KLNA: 80A AC breaker.
- ⑥AC Breaker.
Depends on household loads.

Default settings:
CT shared,
battery shared.



The CT arrow points in the direction of the grid

10.1.3 Parallel connection for 230/400 three phase

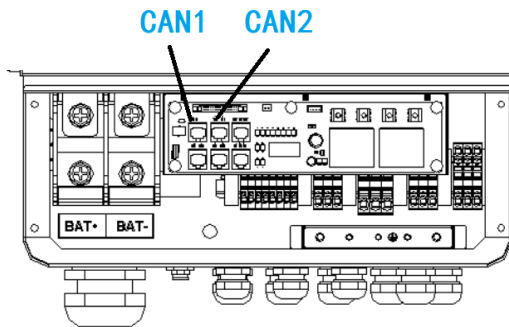


- ①②③DC Breaker for battery.
R8KLNA: 250A DC breaker.
- ④AC Breaker for grid port.
R8KLNA: 40A AC breaker.
- ⑤AC Breaker for backup.
load port.
R8KLNA: 40A AC breaker.
- ⑥AC Breaker.
Depends on household
loads.

Default settings:
CT shared,
battery shared.

The CT arrow points in the
direction of the grid

10.2 Parallel Communication Cable Connection



For parallel communication ,CAT 5 cables are needed. The units should be connected hand by hand.

When using common batteries, BMS cable needs to be connected to the master unit. The inverter shares the BMS information by inter-unit parallel communication cable.

10.3 Parallel Operation Notes

1) Make sure all the units in parallel are with the same software version.

USER->INQUIRE->FIRMWARE

FIRMWARE	
ARM:	V1.XX.XX
DSP:	V1.XX.XX

2) Please check the diagram above .The common batteries use is supported on default for maximizing the system efficiency. The BMS cable should be connected to the master inverter.

3) Connect the loads of the two inverters together first. It should be noted that **the grid power line and the load line of the two inverters should be roughly the same length.**

4) Make sure the CT Limiter sensor is installed properly. If the load is connected outside the inverter, user need to choose common ct and make sure the CT ratio is right(the default 90A ct ratio is 1:1000, no need to change). The common ct is only needed to be connected to the master inverter. Please install CT on every unit' s incoming electrical service wires on L1 and L2(see diagram) when choosing independent ct .

5) Please check the master and slaver' s setting by screen and make sure all the setting are same.

10.4 Parallel System Setting


The parallel setting page can be visited in the following steps in the screen:

USER->1. SETUP->PASSORD CHECK->15.parallel

10.4.0 Setting

Interface	Description
Parallel. →1.NUM. 2.MASTER/SLAVER 3.ADDRESS 4.COMMON BAT 5.COMMON CT 6.PHASE A/B/C 7.DISCHARGE CURR 8.CHARGE CURR 9.PARALLEL EN	This interface shows parallel setting. 1. Total numbers of the inverters. 2. In a parallel system,the master unit broadcasts the bms and other information to the slavers. Make sure only one unit is configured as master. 3. Local unit address(1-8). 4. Common battery or independent battery. 5. Common CT Enable 6. Local phase of unit for three-phase installation. (reserved function) 7. DISCHARGE CURR, Total battery discharge current command, only be settable in master unit in parallel mode. 8. CHARGE CURR, Total battery charge current command, only be settable in master unit in parallel mode. 9. PARALLEL EN,Enable/Disable the parallel function

10.4.1 Parallel Error information

Interface	Description
ERROR NO.  11:parallel fail	A parallell warning may occur because of the following reasons: 1. Wrong setup of the parallel num. 2. Wrong inter-unit parallel communication cable. 3. Wrong setup of the unit address.

11. Advanced Mode Operation Guide

11.1 Advanced Mode Introduction

The hybrid inverter can be programmed to control how and when to use grid power. The Advanced mode allows management of flexible loads and time-of-use billing.

There are three advanced modes available: **Sell First Mode**, **Limited Consumption Mode** and **Zero Export Mode**.

Sell First Mode: In this mode the anti-reflux setting is automatically disabled. The users can use this mode to sell back surplus solar power to grid. If time of use is enabled, the battery power can also be sold to grid.

Limited Consumption Mode: In this mode, the CT limiters are used to sense the grid power flow direction. The hybrid inverter can be chosen to sell power or not sell power to grid. There is a **CT Limit Power** parameter available in this mode. When the battery is needed to discharge to reduce the load consumption, the grid will cover the parameter set part consumption firstly and the battery discharges energy to make up the rest part. Other conditions are similar to SELF CONSUME working mode.

Zero export Mode: In this mode, the CT limiters should be installed in the input of the inverter's grid port. The hybrid inverter will not sell power to grid. The user can use **Zero export power** parameter to ensure the inverter won't feed back power to grid.

There are also some attributes of these modes: **Global Grid Charge Enable**, **Pv Charge Only**, **Bat Charge On Priority**, **Time-of-use Enable** and **6 Time-of-use Slots**. The time slots parameters are shown as below:

	Grid Charge	Gen Charge	Start Time		End Time		Bat Power	Bat SOC
Time Slot1	√		1 h	0 m	8 h	0 m	8000 W	50 %
Time Slot2			8 h	0 m	9 h	0 m	8000 W	100 %
Time Slot3	√		9 h	0 m	13 h	0 m	8000 W	100 %
Time Slot4			13 h	0 m	19 h	0 m	8000 W	15 %
Time Slot5	√		19 h	0 m	20 h	0 m	8000 W	100 %
Time Slot6	√		20 h	0 m	1 h	0 m	8000 W	100 %

Global Grid Charge Enable: It is a high level control attribute of grid charge enable. If time of use function is disabled, this attribute is used to judge whether or not to charge the battery by grid. If time of use function is enabled, the battery can be charged by grid only when the

time slot grid charge attribute is enabled.

Pv Charge Only: If user don' t want to use grid to charge the battery in any time ,please enable this attribute.

Bat Charge On Priority :if there will be a storm or other emergency, user can use this attribute to adjust the power distribution priority. If this attribute is disabled ,the solar power will cover the load on priority by default.

6 Time-of-use Slots : There are 6 slots which can be programmed. If grid charge/generator charge is enable, the grid is used to power the load and charge the battery to target SOC at specific bat power attribute value.

11.2 Advanced Mode Setting

The Advanced Mode Settings page can be accessed through the following steps on the screen:

USER-> 1. SETUP->PASSORD CHECK->16.ADVAN SET

11.2.1 Setting

Interface	Description
--ADVAN SET-- -- > 1.Mode Set 2.Advan Ctrl 3.TOU Set 4.CT Limit 5.Grid Power	This interface displays advanced mode settings. 1. ->Inverter working mode setting. 2. ->Inverter related function control. See 12.2.3 Advan Ctrl for details. 3.->Time of use setting. See 12.2.4 Time of use for details. 4.->The CT will detect power flowing back to the grid and Limit the grid output according to the set value. 5.->Maximum power entering household power grid.

11.2.2 Work Mode

Interface	Description
--MODE SET-- -- > 1.Disable 2.Sell First 3.Limit Grid 4.Zero Export	1.->Disable advanced mode.

11.2.3 Advan Ctrl

Interface	Description
<div style="border: 1px solid black; padding: 5px; margin-bottom: 10px;"> --ADVAN CONTROL-- -- > 1. Grid Chg En 2. TOU En 3. BAT Prio 4. PVChgOnly </div>	1.->Global control, whether the power grid can charge the battery. 2.->Whether TIME OF USE is enabled 3.->PV energy is firstly used to charge the battery and then used to power the load. If PV power is insufficient, grid will make supplement for battery and load simultaneously. 4.->The battery is charged only by PV, and cannot be charged by the grid.

11.2.4 Time Of Use

Interface	Description
<div style="border: 1px solid black; padding: 5px; margin-bottom: 10px;"> --SLOT-- -- > 1. Slot 2. GridChg 3. GeneratorChg </div> <div style="border: 1px solid black; padding: 5px;"> Start: 00:00 End: 00:00 Power: 00.0KW SOC: 0% </div>	1.->From the start time to the end time, charge the battery with the written Power to the written SOC. If GridChg is enabled, allow the grid to charge, and if GeneratorChg is enabled, allow the generator to generate power for the battery. 2.->In the slot section, control the grid to charge the battery. 3.->In the slot section, control the generator to charge the battery.

12. Fault diagnosis and solutions

The inverter is easy to maintain. When you encounter the following problems, please refer to the Solutions below, and contact the local distributor if the problem remains unsolved. The following table lists some of the basic problems that may occur during the actual operation as well as their corresponding basic solutions.

Fault diagnosis table

Content	Codes	Explanation	Solutions
DischgOverCur	00	Battery discharge over current. When the battery is loaded, the load is too large.	<ol style="list-style-type: none"> (1) Nothing need to do, Wait one minute for the inverter to restart. (2) Check whether the load is in compliance with the specification. (3) Cut off all the power and shut down all the machines; disconnect the load and plug in to restart machines, then check
Over Load	01	The load power is greater than other power(PV,BAT).	<ol style="list-style-type: none"> (1) Check whether the load is in compliance with the maximum power of the machine. (2) Cut off all the power and shut down all the machines; disconnect the load and plug in to restart machines, then check whether the load is short circuited if the fault has been eliminated. (3) Contact customer service if error warning continues.
BatDisconnect	02	Battery Disconnect. (Battery voltage not identified)	<ol style="list-style-type: none"> (1) Check whether the battery is connected. (2) Check if battery wiring port is open circuited. (3) Contact customer service if error warning continues.
Bat Under Vol	03	Battery voltage low that normal range.	<ol style="list-style-type: none"> (1) Checking System Settings, If so, power off and restart. (2) Check if the grid power down. If so, waiting for the grid power up, the inverter will automatically charge. (3) Contact customer service if error warning continues.
Bat Low capacity	04	Bat Low capacity	<ol style="list-style-type: none"> (1) Battery Low that setting capacity.(SOC<100%-DOD)
Bat Over Vol	05	The battery voltage is greater than the Inverter maximum voltage.	<ol style="list-style-type: none"> (1) Checking System Settings, If so, power off and restart. (2) Contact customer service if error warning continues.
Gird low vol	06	Grid voltage is	<ol style="list-style-type: none"> (1) Check if the grid is abnormal.

Grid over vol	07	abnormal	(2) Restart the inverter and wait until it functions normally. (3) Contact customer service if error warning continues.
Grid low freq	08	Grid Frequency is abnormal.	(1) Check if the grid is abnormal. (2) Restart the inverter and wait until it functions normally. (3) Contact customer service if error warning continues.
Grid overFreq	09		
gfcI over	10	Inverter GFCI exceeds standard.	(1) Check PV string for direct or indirect grounding phenomenon. (2) Check peripherals of machine for current leakage. (3) Contact the local inverter customer service if fault remains unremoved.
bus under vol	13	BUS voltage is lower than normal.	(1) Check the input mode setting is correct. (2) Restart the inverter and wait until it functions normally. (3) Contact customer service if error warning continues.
bus over vol	14	BUS voltage is over maximum value..	(1) Check the input mode setting is correct. (2) Restart the inverter and wait until it functions normally.
Inv over cur	15	The inverter current exceeds the normal value.	(1) Restart the inverter and wait until it functions normally.
Chg over cur	16	Battery charge current over than the Inverter maximum voltage.	(1) Restart the inverter and wait until it functions normally.
Bus vol osc	17	Bus voltage instability.	(1) Check the input and output mode setting is correct. (2) Restart the inverter and wait until it functions normally.
Inv under vol	18	INV voltage is abnormal	(1) Check if the INV voltage is abnormal. (2) Restart the inverter and wait until it functions normally. (3) Contact customer service if error warning continues.
Inv over vol	19		
InvFreqAbnor	20	INV frequency is abnormal	(1) Check if the INV frequency is abnormal. (2) Restart the inverter and wait until it functions normally. (3) Contact customer service if error warning continues.

igbt temp high	21	The inverter temperature is higher than the allowed value	(1) Cut off all the power of the machine and wait one hour, then turn on the power of the machine.
bat over temp	23	Battery temperature is higher than the allowed value.	(1) Disconnect the battery and reconnect it after an hour.
bat UnderTemp	24	Battery temperature is low than the allowed value.	(1) Check the ambient temperature near the battery to see if it meets the specifications.
BMS comm.fail	27	Communication between lithium battery and inverter is abnormal.	(1) Check the cable, crystal, Line sequence. (2) Checking the Battery switch.
Fan fail	28	Fan fail	(1) Check whether the Inverter temperature is abnormal. (2) Check whether the fan runs properly.(If you can see it)
Grid Phase err	30	The grid fault phase.	(1) Check power grid wiring
Arc Fault	31	PV Arc Fault	(1) Check Photovoltaic panels, PV wire. (2) Contact customer service if error warning continues.
bus soft fail	32	The inverter may be damaged	(1) Restart the inverter and wait until it functions normally. (2) Contact customer service if error warning continues.
inv soft fail	33		
bus short	34		
inv short	35		
fan fault	36	Fan fault.	(1) Check whether the Inverter temperature is abnormal. (2) Check whether the fan runs properly.(If you can see it)
PV iso low	37	PV iso low	(1) Check if the PE line is connected to the inverter and is connected to the ground. (2) Contact customer service if error warning continues.

Bus Relay Fault	38	The inverter may be damaged	(1) Restart the inverter and wait until it functions normally. (2) Contact customer service if error warning continues.
Grid Relay Fault	39		
EPS rly fault	40		
Gfci fault	41		
Selftest fail	44		
System fault	45		
Current DCover	46		
Voltage DCover	47		

Note: If an error occurs that is not listed in the table, Please Contact customer service.

NOTICE:

The copy right of this manual belongs to Shenzhen Megareco technology co.,LTD. Any corporation or individual should not plagiarize, copy, reduction, or distribution this manual in any form or by any means. All rights reserved.

The information in this document (including software, etc.) is subject to change without notice. Every effort has been made to ensure the accuracy of the contents during the preparation of this document, but all statements, information and suggestions in this document do not constitute any express or implied warranty in any form. Shenzhen Megareco technology co.,LTD reserves the right of final interpretation.